



# Strip Light (S)

## Indoor Industrial LED Strip Light



### OVERVIEW

Lumen Package (lm)	1,500 - 18,000
CCT (K)	3000K, 3500K, 4000K, 5000K
Wattage Range (W)	132 - 149
Efficacy Range (LPW)	12 - 142
Weight lbs (kg)	2ft - 3, 4ft - 9, 8ft - 18

### QUICK LINKS

## FEATURES & SPECIFICATIONS

### Construction

- Rigid extruded aluminum optical housing for consistency and strength with vertical fins that serve as a heat sink.
- 22 gauge die formed steel driver housing and access panel.
- Access panel provides hinged access to wiring and driver connections.
- All metal parts are painted after fabrication following treatment with phosphate rust inhibitor. Finish coating of housing reflecting surfaces is with high reflectance white (minimum 92%) polyester powder.

### Optical System

- Available in 4000K, 5000K color temperatures.
- Minimum CRI of 80.

### Electrical

- High-performance driver features over-voltage, under voltage, short-circuit and over temperature protection.
- 0-10 volt dimming (5% - 100%) standard.

- L80 Calculated Life: >100k Hours (See Lumen Maintenance Chart).
- Total harmonic distortion (THD): <20%
- Operating temperature: -40°C to +55°C (-40°F to +131°F), 30°C (86°F) when equipped with EM option. (See Ambient Ratings Table).
- Optional 120v-277v integral emergency battery pack is available. The 90-minute batteries provide constant power to the LED system, ensuring code compliance. A test switch/indicator button is installed on the housing for ease of maintenance.
- Field replaceable surge protection device meets a minimum Category C Low operation (per ANSI/IEEE C62.41.2).
- Power factor (PF): >.95.

### Controls

- Controls Options include:
  - Simple Sensor PIR end mount motion sensor available (OCSUE).
  - Airlink Blue integral controller (ALBC) or integral controller with motion & photo sensor for daylight harvesting (ALBCSD).

### Installation

- Mounting options include; Hook Cable Hangers (HCH10), Pendant Mount (PM), Single Hub/Cable Mount (SHC), and Surface Mount (SMK).

### Warranty

- LSI luminaires carry a 5-year limited warranty. Refer to <https://www.lsicorp.com/resources/terms-conditions-warranty/> for more information.

### Listings

- Listed to UL 1598 and UL 8750.
- American Recovery and Reinvestment Act Funding Compliant.
- RoHS Compliant.
- State of California Title 24.
- Suitable For Damp Locations.
- DesignLights Consortium® (DLC) Premium qualified product. Not all versions of this product may be DLC Premium qualified. Please check the DLC Qualified Products List at [www.designlights.org/QPL](http://www.designlights.org/QPL) to confirm which versions are qualified.

# Strip Light (S) Indoor Industrial LED Strip Light

Type : \_\_\_\_\_

 **Have questions?** Call us at (800) 436-7800

## ORDERING GUIDE

TYPICAL ORDER EXAMPLE: S4 LED 40L FL UNV DIM1 40 80CRI								
Prefix	Light Source	Lumen Package	Voltage	Driver	Color Temperature	CRI	Controls	Options
S2 - 2' Strip S4 - 4' Strip S8 - 8' Strip	LED	15L - 1500 Lumens <sup>1</sup> 20L - 2000 Lumens <sup>2</sup> 30L - 3000 Lumens <sup>2</sup> 40L - 4000 Lumens <sup>3</sup> 50L - 5000 Lumens <sup>3</sup> 60L - 6000 Lumens <sup>3</sup> 70L - 7000 Lumens <sup>7</sup> 80L - 8000 Lumens <sup>7</sup> 100L - 10000 Lumens <sup>4</sup> 120L - 12000 Lumens <sup>4</sup> 140L - 14000 Lumens <sup>4</sup> 160L - 16000 Lumens <sup>4</sup> 180L - 18000 Lumens <sup>4</sup> Custom Lumen <sup>5</sup>	UNV - 120-277V 347 - 347V	DIM1 - Dims to 1% (0-10V)	30 - 3000K 35 - 3500K 40 - 4000K 50 - 5000K	80CRI - 80 CRI	Standard - None OCSUE - Occupancy Sensor (120-277V) <sup>6</sup>	Standard - None EM10 - 10W Battery Backup <sup>6</sup> PM1 - 9ft Pre-wired plug assembly for row mounting (Standard) <sup>6</sup> PM1LV - 9ft Pre-wired plug assembly for row mounting (0-10V Dimming) <sup>6</sup> PM2 - 9ft Pre-wired plug assembly for row mounting (SD50 or EM10) <sup>6</sup> PM2LV - 9ft Pre-wired plug assembly for row mounting (SD50 or EM10 with 0-10V Dimming) <sup>6</sup>



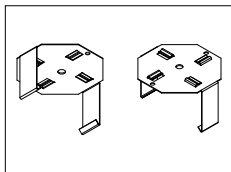
**Need more information?**  
[Click here for our glossary.](#)

**Have additional questions?**  
Call us at (800) 436-7800

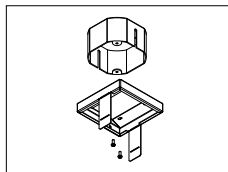


## ACCESSORY ORDERING INFORMATION

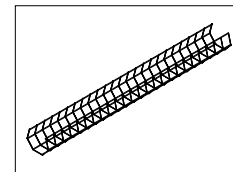
Part Number	Order Number	Description
GRD HGR	671560	T-Grid Hanger Kit (Qty 2)
TBKT	558651	T-Grid Collar (Qty 1)
CHS 3FT	M38258	Chain Hanger Set, 36" Length (Qty 2)
CHS 5FT	251057	Chain Hanger Set, 60" Length (Qty 2)
PMK24	687400	24" Pendant Kit (Qty 1)
PMK36	681509	36" Pendant Kit (Qty 1)
PMK48	687382	48" Pendant Kit (Qty 1)
WG SDL/S	549301	Wire Guard, 4' Length (Qty 1)



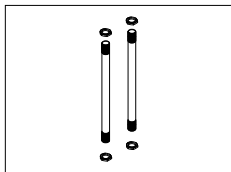
**Description:**  
T-Grid Hanger Kit (Qty 2)  
**Order Number:**  
671560



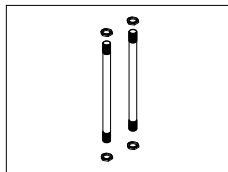
**Description:**  
T-Grid Collar (Qty 1)  
(including junction box, wire  
collar & grid hanger)  
**Order Number:**  
558651



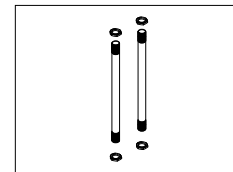
**Description:**  
Wire Guard, 4' (Qty 1)  
**Order Number:**  
549301



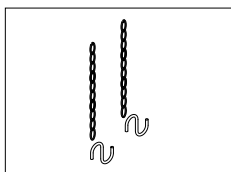
**Description:**  
Pendant, 24" (Qty 1)  
**Order Number:**  
687400



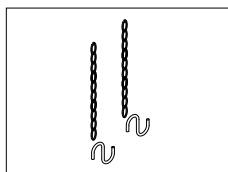
**Description:**  
Pendant, 36" (Qty 1)  
**Order Number:**  
681509



**Description:**  
Pendant, 48" (Qty 1)  
**Order Number:**  
687382



**Description:**  
Chain Hanger Set, 36" (Qty 2)  
**Order Number:**  
M38258



**Description:**  
Chain Hanger Set, 60" (Qty 2)  
**Order Number:**  
251057

1 Available in 2ft only  
2 Available in 2ft, 4ft only  
3 Available in 4ft only  
4 Available in 8ft only

5 Custom lumen and wattages available, consult factory. Values are within industry standard tolerances and not DLC listed.  
6 Not available with 347V  
7 Available in 4ft and 8ft only

# Strip Light (S) Indoor Industrial LED Strip Light

Type: \_\_\_\_\_

 Have questions? Call us at (800) 436-7800

## PERFORMANCE

Delivered Lumens <sup>1</sup>											
Length	Lumen Package	CRI	3000K CCT		3500K CCT		4000K CCT		5000K CCT		Wattage
			Delivered Lumens	Efficacy	Delivered Lumens	Efficacy	Delivered Lumens	Efficacy	Delivered Lumens	Efficacy	
2'	15L	80	1,471	130	1,532	134	1,520	134	1,617	143	11
	20L		1,949	133	2,026	139	2,014	138	2,143	147	15
	30L		2,951	134	3,067	139	3,050	139	3,245	147	22
4'	20L	80	1,973	137	1,969	137	2,014	149	2,156	150	14
	30L		3,017	144	2,944	141	3,011	144	3,223	155	28
	40L		4,013	145	3,916	141	4,005	145	4,287	155	28
	50L		5,048	142	4,929	139	5,036	142	5,391	152	35
	60L		6,103	149	5,955	146	6,091	149	6,520	159	40
	70L		7,035	148	4,864	144	7,021	147	7,516	158	47
	80L		8,079	145	7,883	141	8,063	144	8,631	155	55
8'	70L	80	6,879	144	7,094	149	7,057	149	7,504	158	47
	80L		7,818	142	8,112	148	8,070	147	8,571	156	54
	100L		9,727	139	10093	144	10040	144	10676	153	69
	120L		11660	143	12098	149	12035	148	12797	157	81
	140L		13582	143	14093	148	14019	147	14907	157	94
	160L		15522	141	16105	146	16021	145	17036	154	110
	180L		17494	138	18152	143	18057	143	19201	152	126

Electrical Data - Current Draw AMPS <sup>2</sup>					
Length	Lumen Package	120V	208V	240V	277V
2'	15L	0.10	0.05	0.05	0.04
	20L	0.12	0.07	0.06	0.05
	30L	0.18	0.11	0.09	0.08
4'	20L	0.12	0.07	0.06	0.05
	30L	0.17	0.10	0.09	0.08
	40L	0.23	0.13	0.12	0.10
	50L	0.30	0.17	0.15	0.13
	60L	0.34	0.20	0.17	0.15
	70L	0.40	0.23	0.20	0.17
	80L	0.47	0.27	0.23	0.20
8'	70L	0.39	0.23	0.20	0.17
	80L	0.46	0.26	0.23	0.20
	100L	0.58	0.34	0.29	0.25
	120L	0.68	0.39	0.34	0.29
	140L	0.80	0.46	0.40	0.34
	160L	0.92	0.53	0.46	0.40
	180L	1.06	0.61	0.53	0.46

Recommended Lumen Maintenance - S <sup>3</sup>							
Length	Lumen Package	Ambient Temperature (°C)	Initial <sup>4</sup>	25K hrs. <sup>4</sup>	50K hrs. <sup>4</sup>	75K hrs. <sup>5</sup>	100K hrs. <sup>5</sup>
2'	30L	25	99%	97%	95%	94%	92%
	40L	25	99%	97%	95%	94%	92%
4'	80L	25	98%	97%	95%	94%	92%
	80L	25	98%	97%	95%	94%	92%
8'	180L	25	98%	95%	92%	89%	86%

1 LED chips are frequently updated therefore values are subject to change.

2 Electrical data at 25C (77F). Actual wattage may differ by +/-10%.

3 Lumen maintenance values at 25°C are calculated per TM-21 based on LM-80 data and in-situ luminaire testing.

4 In accordance with IESNA TM-21-11, Projected Values represent interpolated value based on time durations that are within six times (6X) the IESNA LM-80-08 total test duration (in hours) for the device under testing (DUT) i.e. the packaged LED chip).

5 In accordance with IESNA TM-21-11, Calculated Values represent time durations that exceed six times NA LM-80-08 total test duration (in hours) for the device under testing (DUT) i.e. the packaged LED chip).

# Strip Light (S) Indoor Industrial LED Strip Light

Type : \_\_\_\_\_

 Have questions? Call us at (800) 436-7800

## PHOTOMETRICS

Luminaire photometry has been conducted by a NVLAP accredited testing laboratory in accordance with IESNA LM-79-08. As specified by IESNA LM-79-08 the entire luminaire is tested as the source resulting in a luminaire efficiency of 100%.

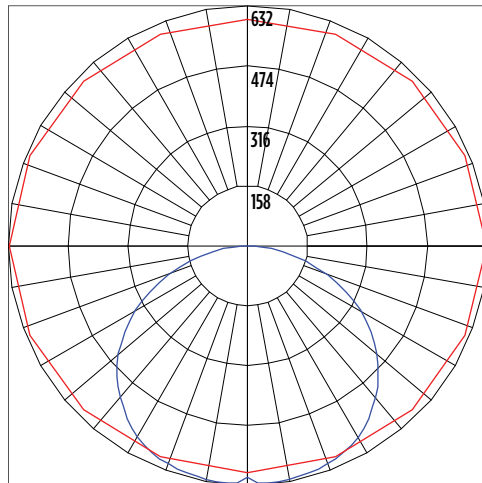
See the individual product page on <https://www.lsicorp.com/> for detailed photometric data.

### S2-20L-40

Luminaire Data	
Wide Distribution	
Description	4000 Kelvin, 80 CRI
Delivered Lumens	2,014
Watts	14
Efficacy	144

Zonal Lumen Summary		
Zone	Lumens	% Luminaire
Low (0-30°)	501	25%
Medium (30-60°)	1,046	52%
High (60-80°)	422	21%
Very High (80-90°)	43	2%
Uplight (90-180°)	0	0%
<b>Total Flux</b>	<b>2,014</b>	<b>100%</b>

#### Polar Curve



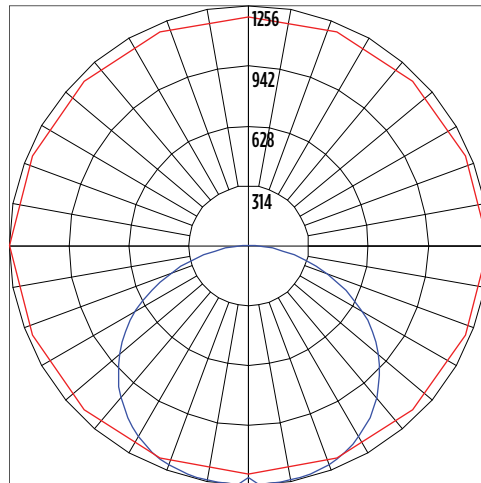
 Vertical Plane  Horizontal Cone

### S4-40L-40

Luminaire Data	
Wide Distribution	
Description	4000 Kelvin, 80 CRI
Delivered Lumens	4,005
Watts	27
Efficacy	148

Zonal Lumen Summary		
Zone	Lumens	% Luminaire
Low (0-30°)	995	25%
Medium (30-60°)	2,081	52%
High (60-80°)	840	21%
Very High (80-90°)	87	2%
Uplight (90-180°)	0	0%
<b>Total Flux</b>	<b>400</b>	<b>100%</b>

#### Polar Curve



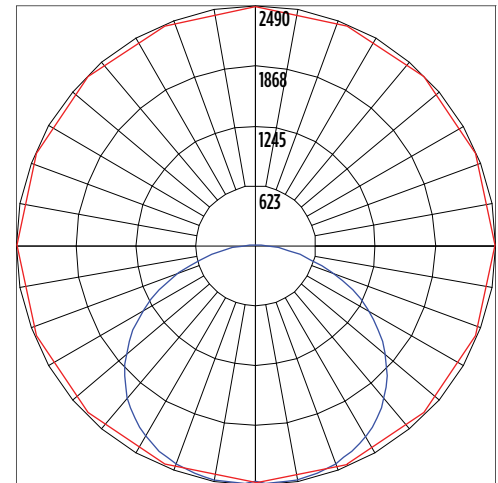
 Vertical Plane  Horizontal Cone


### S8-80L-40

Luminaire Data	
Wide Distribution	
Description	4000 Kelvin, 80 CRI
Delivered Lumens	8,069
Watts	61
Efficacy	133

Zonal Lumen Summary		
Zone	Lumens	% Luminaire
Low (0-30°)	2,012	25%
Medium (30-60°)	4,198	52%
High (60-80°)	1,686	21%
Very High (80-90°)	172	2%
Uplight (90-180°)	0	0%
<b>Total Flux</b>	<b>8,069</b>	<b>100%</b>

#### Polar Curve



 Vertical Plane  Horizontal Cone

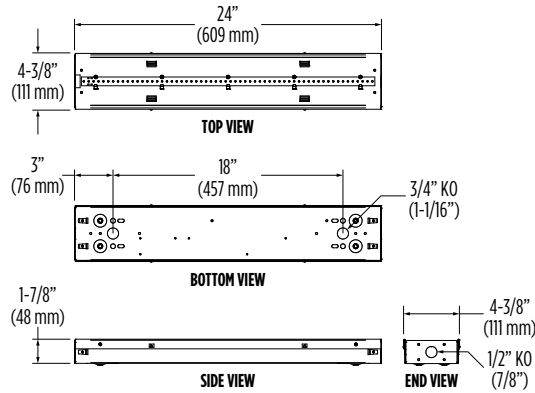
# Strip Light (S) Indoor Industrial LED Strip Light

Type: \_\_\_\_\_

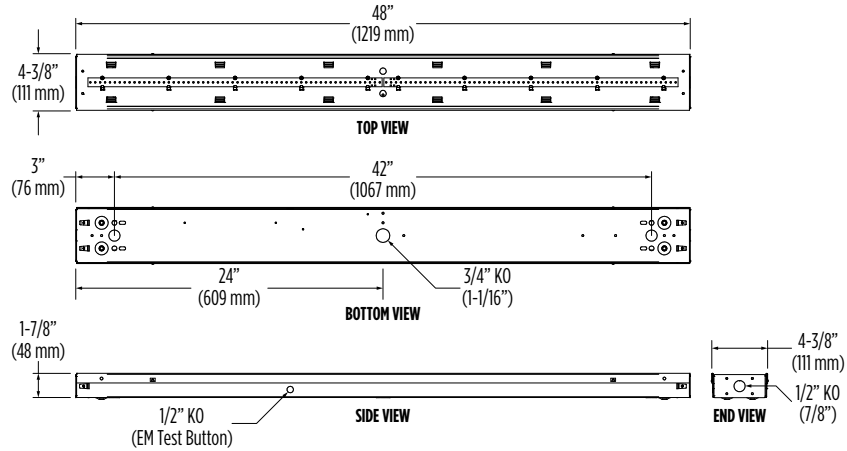
 Have questions? Call us at (800) 436-7800

## PRODUCT DIMENSIONS

Strip Light, 2ft.  
(S2)



Strip Light, 4ft.  
(S4)



Strip Light, 8ft.  
(S8)

