



PRECast POLE BASES

Faster, high quality and customizable

➤ Faster and Easier to Install

Atlas Precast Pole Bases are conduit-ready and use less time, labor and materials than site-cast or poured-in-place methods.

➤ Consistently High Quality

Our pole bases are constructed under climate-controlled conditions to guarantee a high standard of quality and finish.

➤ Customizable to Your Exact Specs

We know one size doesn't fit all. Base diameter, length, bolt patterns, ground wire, and conduit options can all be customized to your specs.



A BETTER, FASTER WAY TO CONSTRUCT POLE BASES



1 Remove base from delivery vehicle.



2 Attach lifting bracket to pole base.



3 Support lifting bracket with chains.



4 Lift pole base to vertical orientation.



5 Place into hole, run wiring through conduit.

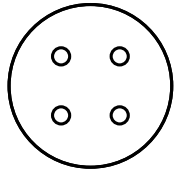
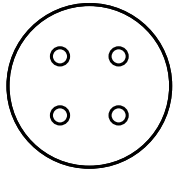
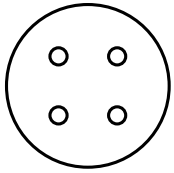
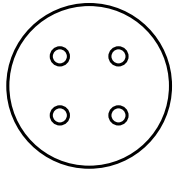


6 Fill/tamp the hole and level the base.



SCAN HERE
FOR QUOTE





Job Name _____

Location _____

Quantity _____ Total Weight _____

Notes _____

Dimensions:

- A.) Total Base Height _____
- B.) Bolt Projection _____
- C.) Depth of Conduit _____
- D.) Reveal Above Grade _____
- E.) Bolt Circle Diameter _____
- F.) Ground Wire - _____
- G.) Conduit (PVC) _____
- H.) Anchor Bolts - Dia & Length _____

General Notes:

1. Concrete: $f_c = 5,000$ PSI @ 28 Days Min
2. Reinforcing Steel: ASTM A615 Grade 60 Rebar

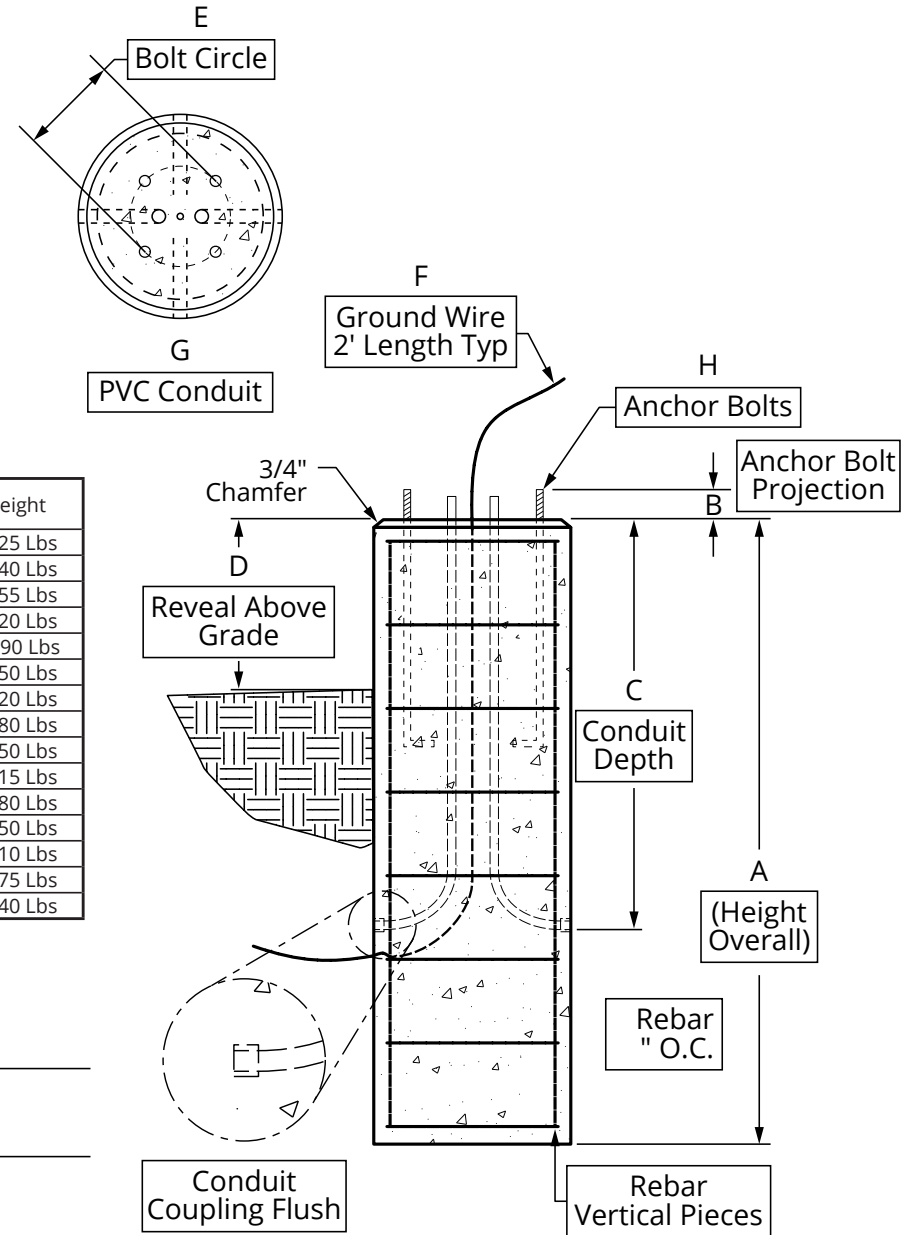
Height	Weight
4'-0"	2,925 Lbs
4'-6"	3,240 Lbs
5'-0"	3,655 Lbs
5'-6"	4,020 Lbs
6'-0"	4,390 Lbs
6'-6"	4,750 Lbs
7'-0"	5,120 Lbs
7'-6"	5,480 Lbs
8'-0"	5,850 Lbs
8'-6"	6,215 Lbs
9'-0"	6,580 Lbs
9'-6"	6,950 Lbs
10'-0"	7,310 Lbs
10'-6"	7,675 Lbs
11'-0"	8,040 Lbs

Job #: _____

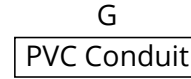
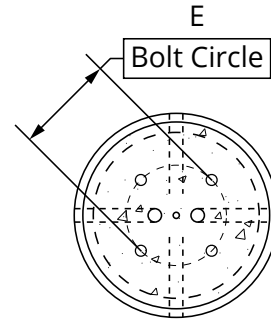
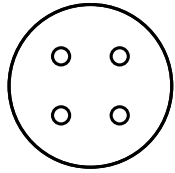
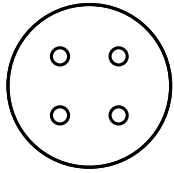
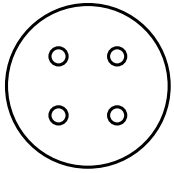
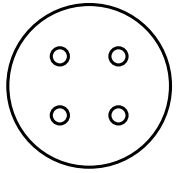
Cust: _____

Signoff: _____

Date: _____



30" Diameter Light Pole Base



Job Name _____

Location _____

Quantity _____ Total Weight _____

Notes _____

Dimensions:

- A.) Total Base Height _____
- B.) Bolt Projection _____
- C.) Depth of Conduit _____
- D.) Reveal Above Grade _____
- E.) Bolt Circle Diameter _____
- F.) Ground Wire - _____
- G.) Conduit (PVC) _____
- H.) Anchor Bolts - Dia & Length _____

General Notes:

1. Concrete: $f_c = 5,000$ PSI @ 28 Days Min
2. Reinforcing Steel: ASTM A615 Grade 60 Rebar

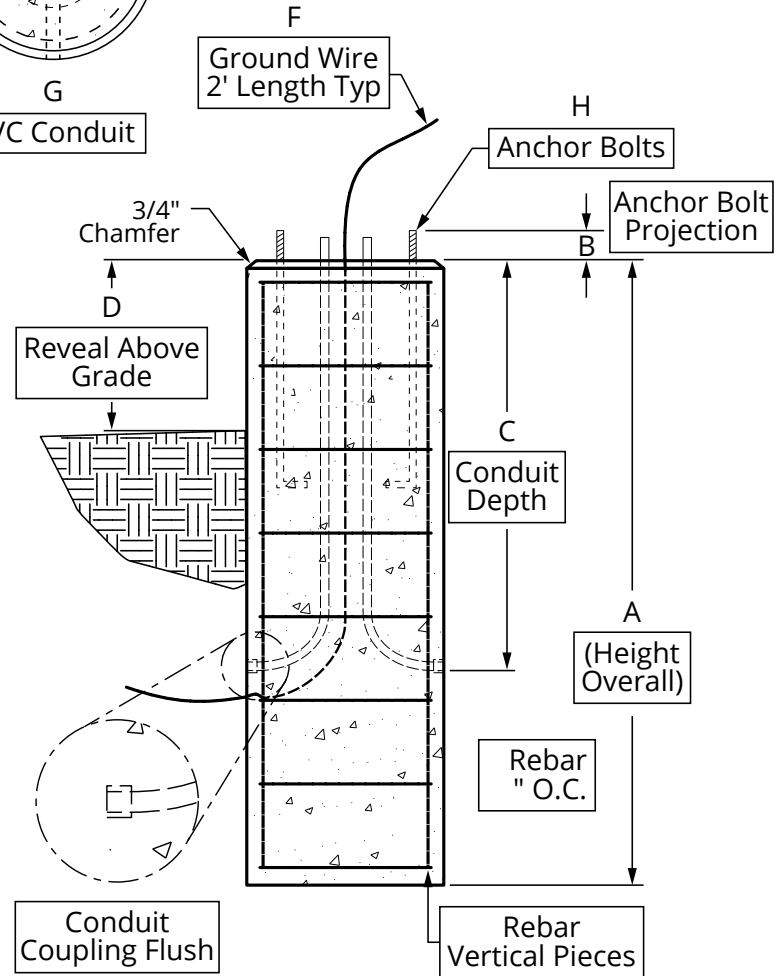
Height	Weight
2'-0"	540 Lbs.
2'-6"	675 Lbs
3'-0"	800 Lbs
3'-6"	930 Lbs
4'-0"	1,065 Lbs
4'-6"	1,200 Lbs
5'-0"	1,330 Lbs
5'-6"	1,465 Lbs
6'-0"	1,600 Lbs
6'-6"	1,730 Lbs
7'-0"	1,860 Lbs
7'-6"	2,000 Lbs
8'-0"	2,130 Lbs
8'-6"	2,260 Lbs
9'-0"	2,400 Lbs

Job #: _____

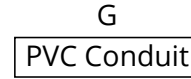
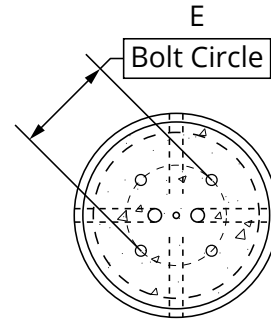
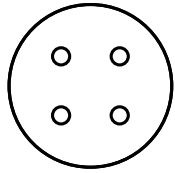
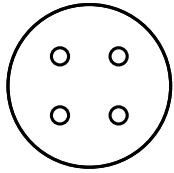
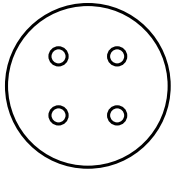
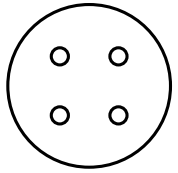
Cust: _____

Signoff: _____

Date: _____



18" Diameter Light Pole Base



Job Name _____

Location _____

Quantity _____ Total Weight _____

Notes _____

Dimensions:

- A.) Total Base Height _____
- B.) Bolt Projection _____
- C.) Depth of Conduit _____
- D.) Reveal Above Grade _____
- E.) Bolt Circle Diameter _____
- F.) Ground Wire - _____
- G.) Conduit (PVC) _____
- H.) Anchor Bolts - Dia & Length _____

General Notes:

1. Concrete: $f_c = 5,000$ PSI @ 28 Days Min
2. Reinforcing Steel: ASTM A615 Grade 60 Rebar

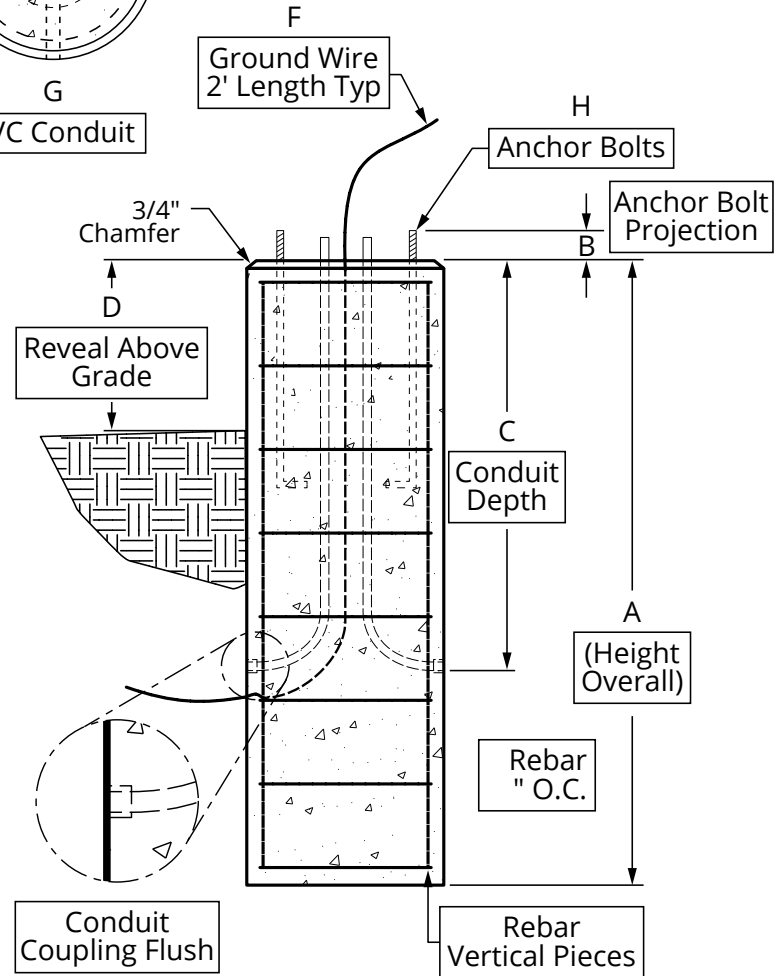
Height	Weight
3'-0"	1,405 Lbs.
3'-6"	1,640 Lbs
4'-0"	1,870 Lbs
4'-6"	2,100 Lbs
5'-0"	2,340 Lbs
5'-6"	2,575 Lbs
6'-0"	2,810 Lbs
6'-6"	3,040 Lbs
7'-0"	3,275 Lbs
7'-6"	3,510 Lbs
8'-0"	3,745 Lbs
8'-6"	3,980 Lbs
9'-0"	4,215 Lbs
9'-6"	4,450 Lbs
10'-0"	4,680 Lbs
10'-6"	4,915 Lbs
11'-0"	5,150 Lbs
11'-6"	5,385 Lbs

Job #: _____

Cust: _____

Signoff: _____

Date: _____



24" Diameter Light Pole Base