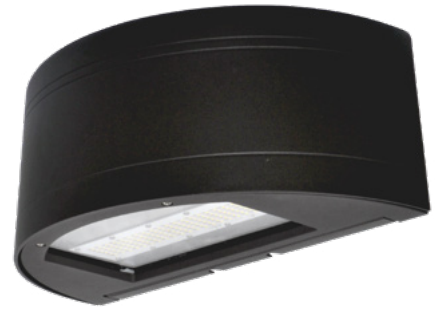




Geometric Wall Sconce Up/Down (GSR UD)

Commercial & Architectural Lighting



OVERVIEW

Lumen Package (lm)	6,000
Wattage Range (W)	40
Efficacy Range (LPW)	158 - 167
Weight lbs (kg)	15 (6.8)

QUICK LINKS

FEATURES & SPECIFICATIONS

Construction

- Rugged die-cast aluminum housing.

Optical System

- Tempered glass lens.
- Approximately 3,000 lumens down and 3,000 lumens up for true 50/50 light distribution on vertical surface.
- Available in 4000K and 5000K color temperatures per ANSI C78.377.
- Minimum CRI of 70

Electrical

- High-performance driver features overvoltage, under-voltage, short-circuit and over temperature protection.
- 0-10V dimming (10% - 100%) standard.
- Standard Universal Voltage (120-277 VAC) Input 50/60 Hz.
- Total harmonic distortion (THD): <20%
- Operating temperature: -40°C to +40°C (-40°F to +104°F).
- Power factor (PF): >.90
- Input power stays constant over life.
- Optional 10kV surge protection device meets a minimum Category C Low operation (per ANSI/IEEE C62.41.2).
- Driver and key electronic components can easily be accessed.

Controls

- Integral passive infrared Bluetooth™ motion and photocell sensor options. Fixtures operate independently and can be commissioned via an iOS or Android configuration app. Updates and modifications to the control strategy are easily implemented via an intuitive app.
- LSI's AirLink™ Blue lighting control system is a simple feature rich wireless Bluetooth mesh network. The integrated fixture sensor module provides wireless control of grouped fixtures based on motion sensors, daylight or a fully customizable schedule.

Installation

- Universal wall mounting plate mounts directly to vertical surface or 4" junction box (octagonal or square).
- Luminaire hinges to the top of the mounting plate and is secured via two set screws that conceal the hardware.

Warranty

- LSI luminaires carry a 5-year limited warranty. Refer to <https://www.lsicorp.com/resources/terms-conditions-warranty/> for more information.

Listings

- Listed to UL 1598 and UL 8750.
- Title 24 Compliant; see local ordinance for qualification information.
- Suitable for wet locations.
- DesignLights Consortium® (DLC) qualified product. Not all versions of this product may be DLC Premium qualified. Please check the DLC Qualified Products List at www.designlights.org/QPL to confirm which versions are qualified.

Geometric Wall Sconce Up/Down (GSR UD)

Type: _____

 **Have questions?** Call us at (800) 436-7800

ORDERING GUIDE

TYPICAL ORDER EXAMPLE: GSR UD 6L UNV 40K7 BRZ PCI120 SP1							
Prefix	Distribution	Lumen Package	Voltage	Color Temperature /Rendering	Finish	Controls	Options
GSR - Radius/Half Round Geometric Sconce	UD - Up/Down	6L - 6,000	UNV - Universal Voltage (120-277V)	40K7 - 4000K CCT / 70 CRI 50K7 - 5000K CCT / 70 CRI	BRZ - Bronze BLK - Black ¹ SLV - Silver ¹ WHT - White ¹	Blank - No Controls Wireless Controls Systems ALBCS1 - AirLink Blue Wireless Motion and Photo Sensor Controller (8-24' MH) ^{2,3} Stand-Alone Controls IMSBT1 - Integral Bluetooth™ Motion and Photocell Sensor (8-24' MH) ^{2,3} Button Photocell PCIUNV - Universal Voltage Photocell (120-277V)	Blank - None SP1 - 10k Surge Protector



Need more information?
[Click here for our glossary.](#)

Have additional questions?
Call us at (800) 436-7800

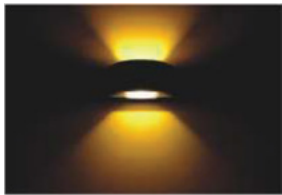


ACCESSORY ORDERING INFORMATION⁴

Part Number	Description
739106	Wet Location Surface Conduit/Wiring box

Up/Down Illumination

- Luminaire provides a true 50/50 split with 2,500 lumens up and 2,500 lumens down creating a dramatic effect on the wall or building facade.



¹ Limited product availability for non bronze paint finishes, please consult factory before ordering.

² IMSBT & ALBCS controls are available in bronze finish only. Not available in 2L configuration.

³ Sensors are field configurable via the LSI app that can be downloaded from your smartphone's native app store.

⁴ Accessories are shipped separately and field installed.

Geometric Wall Sconce Up/Down (GSR UD)

Type : _____

 Have questions? Call us at (800) 436-7800

PERFORMANCE

Delivered Lumens - GSR UD ¹									
Lumen Package	Distribution	CRI	4000K			5000K			Wattage
			Delivered Lumens	Efficacy	BUG Rating	Delivered Lumens	Efficacy	BUG Rating	
6L	UD	70	6,703	168	B1-U5-G1	6,723	168	B1-U5-G1	40

Electrical Data - Current Draw AMPS ¹				
Lumen Package	120V	208V	240V	277V
6L	0.33	0.19	0.17	0.14

Recommended Lumen Maintenance - GSR UD ²					
Ambient Temperature °C	Initial ⁵	24K hrs. ³	40K hrs. ³	74K hrs. ⁴	30K hrs. ⁴
0 - 40	100%	94%	87%	82%	76%

¹ Electrical data at 25C (77F). Actual wattage may differ by +/-10%.

² Lumen maintenance values at 25°C are calculated per TM-21 based on LM-80 data and in-situ luminaire testing.

³ In accordance with IESNA TM-21-11, Projected Values represent interpolated value based on time durations that are within six times (6X) the IESNA LM-80-08 total test duration (in hours) for the device under testing ((DUT) i.e. the packaged LED chip).

⁴ In accordance with IESNA TM-21-11, Calculated Values represent time durations that exceed six times NA LM-80-08 total test duration (in hours) for the device under testing ((DUT) i.e. the packaged LED chip).



Geometric Wall Sconce Up/Down (GSR UD)

Type: _____

 Have questions? Call us at (800) 436-7800

PHOTOMETRICS

Luminaire photometry has been conducted by a NVLAP accredited testing laboratory in accordance with IESNA LM-79-08. As specified by IESNA LM-79-08 the entire luminaire is tested as the source resulting in a luminaire efficiency of 100%.

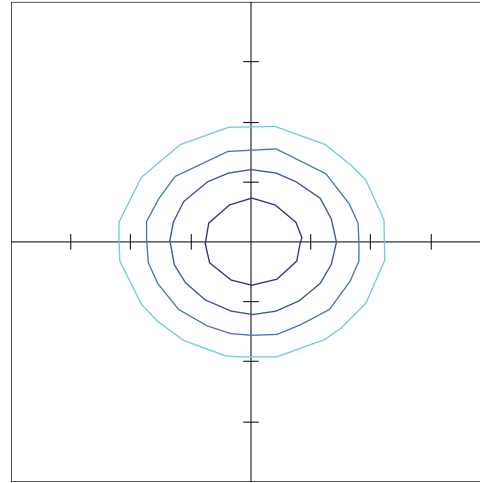
See the individual product page on <https://www.lsicorp.com/> for detailed photometric data.

GSR-UD-6L-UNV-40

Luminaire Data	
Wide Distribution	
Description	4000 Kelvin, 70 CRI
Delivered Lumens	6,703
Watts	40
Efficacy	168
IES Type	Type III - Very Short
BUG Rating	B1-US-G1

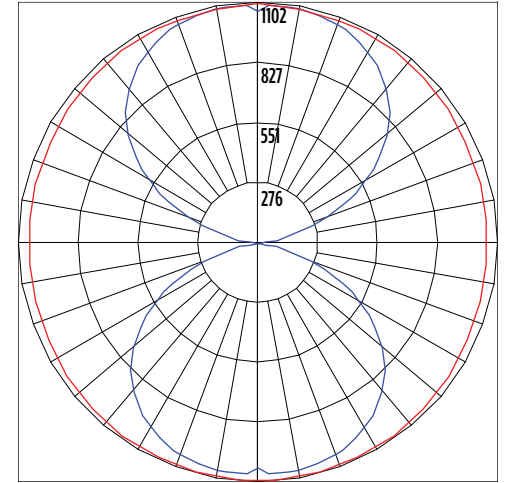
Zonal Lumen Summary		
Zone	Lumens	% Luminaire
Low (0-30°)	862.0	13%
Medium (30-60°)	1,803.0	27%
High (60-80°)	644.0	10%
Very High (80-90°)	32.0	0%
Uplight (90-180°)	3,363.2	50%
Total Flux	6,703.0	100%

ISO Footcandle



10' Mounting Height / 10' Grid Spacing
 5 FC
 2 FC
 1 FC
 0.5 FC

Polar Curve



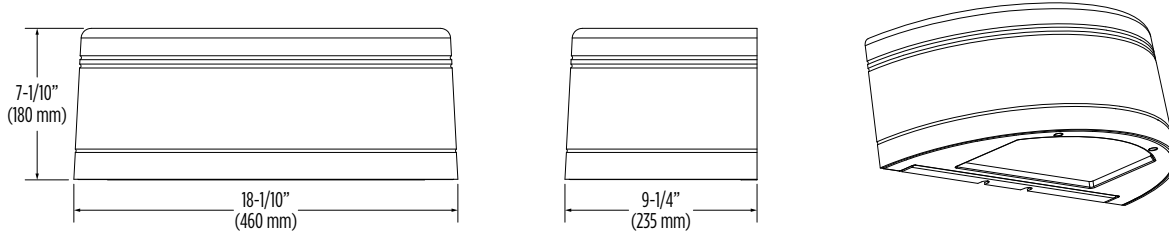
Vertical Plane
 Horizontal Cone

Geometric Wall Sconce Up/Down (GSR UD)

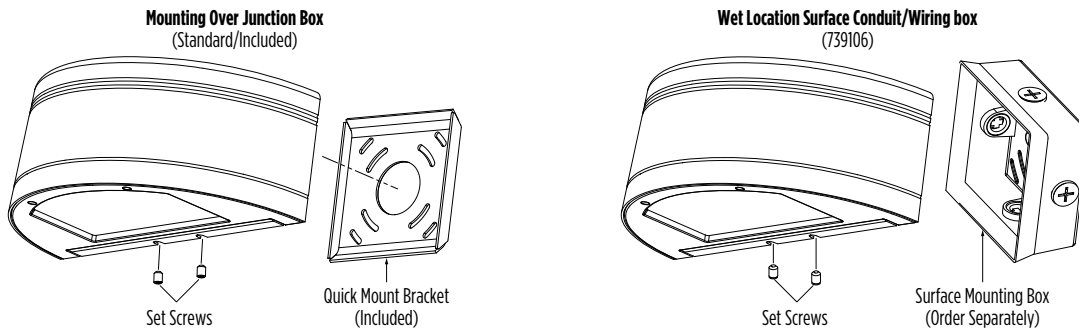
Type: _____

 **Have questions?** Call us at (800) 436-7800

PRODUCT DIMENSIONS



Mounting Options



CONTROLS

Integral Bluetooth™ Motion and Photocell Sensor (IMSBT1, IMSBT2)

Slim low profile sensor provides multi-level control based on motion and/or daylight. Sensor controls 0-10 VDC LED drivers and is rated for cold and wet locations (-30° C to 70° C). Two unique PIR lenses are available and used based on fixture mounting height. All control parameters are adjustable via an iOS or Android App capable of storing and transmitting sensor profiles.

[Click here to learn more details about IMSBT](#)

AirLink Blue (ALBC, ALBCS1, ALBCS2)

Wireless Bluetooth Mesh Lighting Control System that provides energy savings, code compliance and enhanced safety/security. Three key components; Bluetooth wireless radio/sensor controller, Time Keeper and an App. Capable of grouping multiple fixtures and sensors as well as scheduling time-based events by zone. Radio/Sensor Controller is factory integrated into luminaires.

[Click here to learn more details about AirLink Blue](#)