



# Excursion (EXN)

## Edge-lit Parking Garage/Canopy Luminaire



### OVERVIEW

Lumen Package (lm)	3,000 - 10,000
Wattage Range (W)	22 - 87
Efficacy Range (LPW)	122 - 144
Weight lbs (kg)	13.5 (6.1)

### QUICK LINKS

## FEATURES & SPECIFICATIONS

### Construction

- Precision die-cast aluminum housing and lens frame for durability and consistency.
- Architecturally pleasing with no visible electronics, hardware, or seams from ground level.
- Hinged 16ga galvanized mounting bracket provided for ease of installation and maintenance.
- Luminaire is proudly manufactured in the U.S. of U.S. and Foreign parts.
- Fixtures are finished with LSI's DuraGrip® polyester powder coat finishing process. The DuraGrip finish withstands extreme weather changes without cracking or peeling. Other standard LSI finishes available. Consult factory.
- 3G rated for ANSI C136.31 high vibration applications (Direct Mount only).
- Shipping weight: 13.5 lbs in carton.

### Optical System

- Utilizes edge-lit technology providing best-in-class uniformity and excellent visual comfort with minimal glare.
- Optically clear acrylic light guide with tailored refractive distribution.
- Best in class high brightness LED's provide uniform light guide luminance with no dead spots.
- Choice of two high performance distributions: Type 5 Wide and Type 5 Narrow (a concentrated distribution for atrium and exit/egress applications).
- Uplight option adds 5% to the overall light output.
- Available in 5000K and 4000K color temperatures per ANSI C78.377.
- Minimum CRI of 80.

### Electrical

- High-performance programmable driver features over-voltage, under voltage, short-circuit and over temperature protection. Custom lumen and wattage packages available.
- 0-10 volt dimming (10% - 100%) standard.
- Standard Universal Voltage (120-277 Vac) Input 50/60 Hz. Optional High Voltage 347/480Vac.
- L70 Calculated Life: > 100k Hours (See Lumen Maintenance Chart)
- Total harmonic distortion: <20%
- Operating temperature: -40°C to +50°C (-40°F to +122°F)
- Power factor: >.90
- Input power stays constant over life.
- High-efficiency LEDs with integrated circuit board mount directly to the housing to maximize heat dissipation and promote long life.
- Driver components are fully encased in potting material for moisture resistance. Driver complies with FCC standards.
- Optional 10kV surge protection device meets a minimum Category C Low operation (per ANSI/IEEE C62.41.2).
- Optional integral emergency battery pack provides 90-minutes of constant power to the LED system, ensuring code compliance. A test switch/indicator button is installed on the housing for ease of maintenance. The fixture delivers 1500 lumens during emergency mode.

### Controls

- Optional integral passive infrared Bluetooth™ motion and photocell sensor (see page 5 for more details). Fixtures operate independently and can be commissioned via iOS or Android configuration app
- LSI's AirLink™ wireless control system options reduce energy and maintenance costs while optimizing light quality 24/7. (see page 5 for more details)

### Installation

- Standard mounting is a rigid 3/4" pendant mount or direct surface mount to a 4" (102mm) octagon box (box by others).
- Accessory Wall Mount Arm available for interior wall surfaces or covered damp locations.

### Warranty

- LSI luminaires carry a 5-year limited warranty. Refer to <https://www.lsicorp.com/resources/terms-conditions-warranty/> for more information.
- 1 Year warranty on optional Battery Back Up.

### Listings

- Listed to UL 1598 and UL 8750
- Meets Buy American Act requirements.
- State of California Title 24 compliant.
- Suitable for covered damp location applications.
- 3G rated for ANSI C136.31 high vibration applications (Direct Mount only).
- DesignLights Consortium® (DLC) qualified product. Not all versions of this product may be DLC qualified. Please check the DLC Qualified Products List at [www.designlights.org/QPL](http://www.designlights.org/QPL) to confirm which versions are qualified.

# Excursion (EXN) Edge-lit Parking Garage/Canopy Luminaire

Type : \_\_\_\_\_

 **Have questions?** Call us at (800) 436-7800

## ORDERING GUIDE

TYPICAL ORDER EXAMPLE: EXN D EGLED 8L T5W UNV DIM 40 80CRI ALSCS MSV							
Prefix	Mounting	Light Source	Lumen Package	Distribution	Voltage	Driver	Color Temperature
EXN - Excursion Parking Garage/Canopy Luminaire	D - Direct Mount P - Pendant Mount, 5ft Cord PL - Pendant Mount, 7ft Cord1	EGLED - Edge-Lit LED	3L - 3,000 5L - 5,000 6L - 6,000 8L - 8,000 10L - 10,000 Custom Lumen Packages6	T5W - Type V Wide T5N - Type V Narrow <b>Uplight</b> T5WU - Type V Wide Uplight (5% up)2 T5NU - Type V Narrow Uplight (5% up)2	UNV - 120 - 277V HV - 347-480V1	DIM - 0-10V Dimming2	40 - 4000K 50 - 5000K
Color Rendering	Controls			EM	Finish	Options	
80CRI - 80 Color Rendering Index	Blank - No Controls ALSC - AirLink Synapse Wireless Digital Controller ALSCS1 - AirLink Synapse Wireless Digital Controller with Sensor (mounting 8' to 12') ALSCS2 - AirLink Synapse Wireless Digital Controller with Sensor (mounting 12' to 20') ALBCS1 - AirLink Blue Wireless Motion & Photo Sensor Controller (8-24' mounting height) ALBCS2 - AirLink Blue Wireless Motion & Photo Sensor Controller (25-40' mounting height) IMSBT1L - Integral Bluetooth™ Motion and Photocell Sensor (max 8-24' mounting height)4 IMSBT2L - Integral Bluetooth™ Motion and Photocell Sensor (max 25-40' mounting height)4			Blank - No Battery BB - Battery Backup5 CWBB - Cold Weather Battery Backup5	BLK - Black WHT - White MSV - Metallic Silver BRZ - Bronze	Blank - No Option SP1 - 10kV Surge Protection	


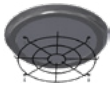




**Need more information?**  
[Click here for our glossary.](#)




**Have additional questions?**  
Call us at (800) 436-7800





### ACCESSORY ORDERING INFORMATION (Accessories are field installed)

Order Number	Description	Product Image
685007	<b>Tamper Resistant Hardware Kit</b>	N/A
695882CLR	<b>Bird Guard</b> Standard finishes available in white (WHT), black (BLK), metallic silver (MSV) and bronze (BRZ); other custom finishes available may require longer lead-times	
695591	<b>Wire Guard</b> Finish in black only (BLK)	
695593	<b>House Side Shield</b> Finish in black only (BLK)	
724323CLR	<b>Wall Mount Arm</b> Formed 16 gauge steel bracket designed to attach precisely to the Excursion housing and easily mount to a wall. Finished with LSI's DuraGrip polyester powder coat finishing process. Mount to 4 inch J-Box (by others) on interior wall surfaces or covered damp locations. Not designed for exterior locations exposed to direct contact with water. Weight 17.5 lbs. Standard finishes available in white (WHT), black (BLK), metallic silver (MSV) and bronze (BRZ); other custom finishes available but may require longer lead-times. <b>NOTE:</b> Wall mount arm is not compatible with Bird Guard or Uplight Distribution.	

### PENDANT ORDERING INFORMATION (Typical Order Example: BC600 3 BLK)

Order Number	Description	Image
BC600 3	3/4" (19 mm) Top Decorative Box Cover Aligner	
BC585	3/4" (19 mm) Top Round Box Cover Aligner	
BC585SQ	3/4" (19 mm) Top Square Box Cover Aligner	

### STEM ORDERING INFORMATION (Typical Order Example: ST6 3 BLK)

Order Number	Description	Image
ST 6 3	3/4" x 6" (19 mm x 152 mm) Aluminum Stem	
ST 12 3	3/4" x 12" (19 mm x 0.4 m) Aluminum Stem	
ST 18 3	3/4" x 18" (19 mm x 0.5 m) Aluminum Stem	
ST 24 3	3/4" x 24" (19mm x 0.6 m) Aluminum Stem	
ST 36 3	3/4" x 36" (19 mm x 0.9 m) Aluminum Stem?	
ST 48 3	3/4" x 48" (19 mm x 1.2 m) Aluminum Stem?	
ST 60 3	3/4" x 60" (19 mm x 1.5 m) Aluminum Stem? (Must order PL - Pendant Mount, 7ft Cord)	
COP 3	3/4" (19 mm) Aluminum Stem Coupler	

**NOTE:** Standard canopy finishes available in white (WHT), black (BLK) and bronze (BRZ); other custom finishes available may require longer lead-times.

- 1 7ft cord required when ordering stem ST 60 3.
- 2 Bird Guard and Uplight can not be used together.
- 3 Not available with HV.
- 4 IMSBT is field configurable via the LSI app that can be downloaded from your smartphone's native app store.
- 5 Battery Backup and Cold Weather Battery Backup available in UNV only; not available with external dimming or 10L. BB rated 50°C to 10°C. CWBB rated 50°C to -20°C.
- 6 Custom lumen and wattage packages available consult factory. Values are within industry standard tolerances but not DLC listed.

# Excursion (EXN) Edge-lit Parking Garage/Canopy Luminaire

Type : \_\_\_\_\_

 Have questions? Call us at (800) 436-7800

## PERFORMANCE

Delivered Lumens <sup>1</sup>						
Lumen Package	Distribution	4000K		5000K		Wattage
		Delivered Lumens	Efficacy	Delivered Lumens	Efficacy	
3L	T5W	2,827	126	2,638	118	22
	T5N	2,923	130	2,728	121	
5L	T5W	4,767	129	4,448	120	37
	T5N	4,929	133	4,599	124	
6L	T5W	5,719	129	5,337	120	44
	T5N	5,913	133	5,518	124	
8L	T5W	7,535	126	7,031	118	60
	T5N	7,791	130	7,270	122	
10L	T5W	10,285	121	9,597	113	85
	T5N	10,634	125	9,923	117	

Electrical Data - Current Draw AMPS <sup>2</sup>							
Lumen Package	Wattage	120V	208V	240V	277V	347V	480V
3L	22	0.19	0.11	0.09	0.08	0.06	0.05
5L	37	0.31	0.18	0.15	0.13	0.11	0.08
6L	44	0.37	0.21	0.19	0.16	0.13	0.09
8L	60	0.5	0.29	0.25	0.22	0.17	0.12
10L	85	0.71	0.41	0.35	0.31	0.24	0.18

Recommended Lumen Maintenance - EXN <sup>3</sup>					
Ambient Temperature °C	Initial	25K hrs.	50K hrs.	75K hrs.	100K hrs.
0	100%	93%	86%	80%	74%
10	100%	93%	86%	80%	74%
20	100%	93%	86%	80%	74%
25	100%	94%	88%	83%	78%
30	100%	94%	88%	82%	77%
40	100%	93%	87%	80%	75%

## PHOTOMETRICS

Luminaire photometry has been conducted by a NVLAP accredited testing laboratory in accordance with IESNA LM-79-08. As specified by IESNA LM-79-08 the entire luminaire is tested as the source resulting in a luminaire efficiency of 100%.

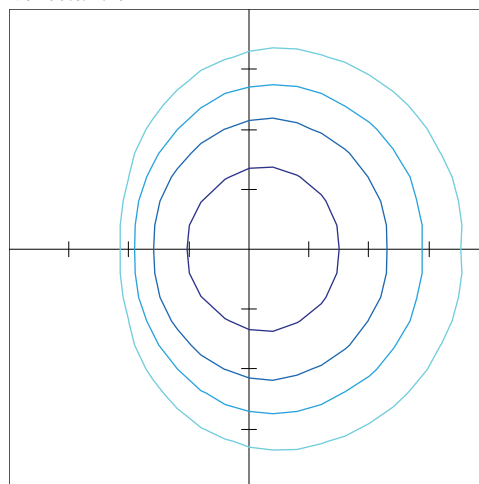
See the individual product page on <https://www.lsicorp.com/> for detailed photometric data.

### EXN-EGLED-10L-T5W-40

Luminaire Data	
<b>Wide Distribution</b>	
Description	4000 Kelvin, 70 CRI
Delivered Lumens	10,005
Watts	76
Efficacy	132
IES Type	Type VS - Very Short
BUG Rating	B3-U0-G3

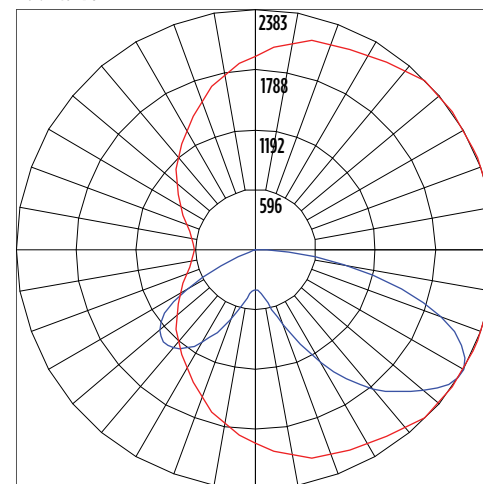
Zonal Lumen Summary		
Zone	Lumens	% Luminaire
Low (0-30°)	740.1	7.40%
Medium (30-60°)	4,772.2	47.70%
High (60-80°)	4,037	40.40%
Very High (80-90°)	455.6	4.60%
Uplight (90-180°)	0.00%	0.00%
<b>Total Flux</b>	<b>10,004.9</b>	<b>100%</b>

### ISO Footcandle



10' Mounting Height / 10' Grid Spacing  
■ 5 FC ■ 2 FC ■ 1 FC ■ 0.5 FC

### Polar Curve



■ Vertical Plane ■ Horizontal Cone

<sup>1</sup> Lumen and watt values are nominal. NOTE: Uplight adds 5% to the overall light output.

<sup>2</sup> Electrical data at 25C (77F). Actual wattage may differ by +/-10%.

<sup>3</sup> In accordance with IESNA TM-21-11, Projected Values represent interpolated value based on time durations that are within six times (6X) the IESNA LM-80-08 total test duration (in hours) for the device under testing (DUT) i.e. the packaged LED'S).

# Excursion (EXN) Edge-lit Parking Garage/Canopy Luminaire

Type : \_\_\_\_\_

 Have questions? Call us at (800) 436-7800

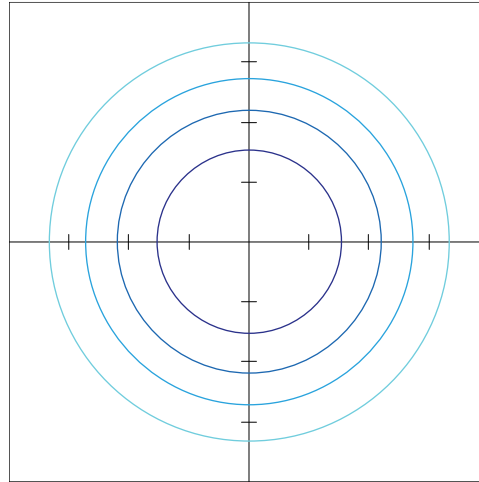
## PHOTOMETRICS

### EXN-EGLED-10L-T5N-40

Luminaire Data	
<b>Wide Distribution</b>	
Description	4000 Kelvin, 70 CRI
Delivered Lumens	10,200
Watts	76
Efficacy	134
IES Type	Type VS - Very Short
BUG Rating	B3-U0-G2

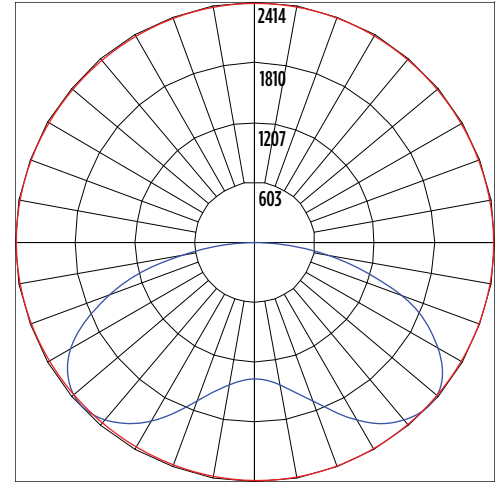
Zonal Lumen Summary		
Zone	Lumens	% Luminaire
Low (0-30°)	1,467.4	14.40%
Medium (30-60°)	5,308.8	52.00%
High (60-80°)	3,089	30.30%
Very High (80-90°)	335.2	3.30%
Uplight (90-180°)	0.00%	0.00%
<b>Total Flux</b>	<b>10,200.4</b>	<b>100%</b>

### ISO Footcandle



10' Mounting Height / 10' Grid Spacing  
 5 FC 2 FC 1 FC 0.5 FC

### Polar Curve



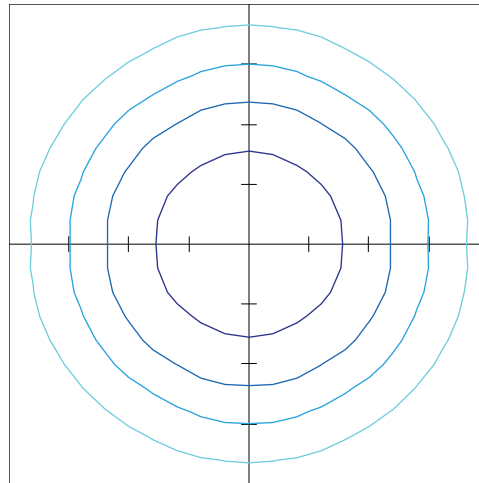
Vertical Plane Horizontal Cone

### EXN-EGLED-10L-T5W-40 (House Side Shield)

Luminaire Data	
<b>Wide Distribution</b>	
Description	4000 Kelvin, 70 CRI
Delivered Lumens	6,971
Watts	76
Efficacy	92
IES Type	Type IV - Very Short
BUG Rating	B2-U0-G2

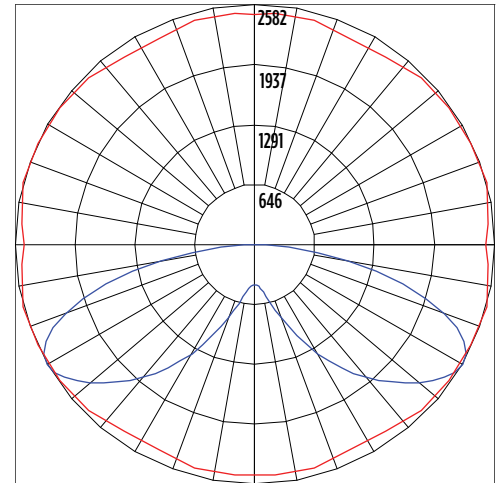
Zonal Lumen Summary		
Zone	Lumens	% Luminaire
Low (0-30°)	675.7	9.70%
Medium (30-60°)	3,740.8	53.70%
High (60-80°)	2,347.4	33.70%
Very High (80-90°)	207.2	3.00%
Uplight (90-180°)	0	0.00%
<b>Total Flux</b>	<b>6,971.1</b>	<b>100%</b>

### ISO Footcandle



10' Mounting Height / 10' Grid Spacing  
 5 FC 2 FC 1 FC 0.5 FC

### Polar Curve



Vertical Plane Horizontal Cone

# Excursion (EXN) Edge-lit Parking Garage/Canopy Luminaire

Type : \_\_\_\_\_

 Have questions? Call us at (800) 436-7800

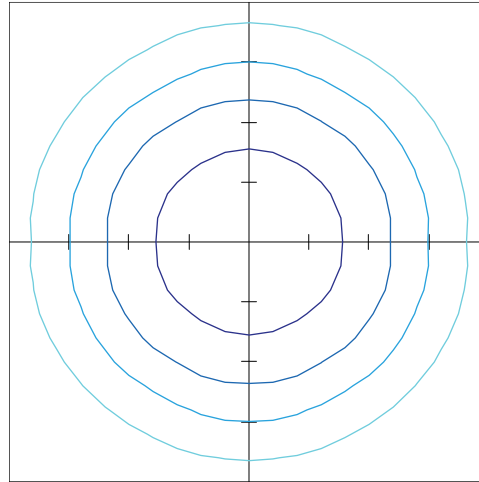
## PHOTOMETRICS

### EXN-EGLED-10L-T5WU-40

Luminaire Data	
<b>Wide Distribution</b>	
Description	4000 Kelvin, 70 CRI
Delivered Lumens	10,342
Watts	80
Efficacy	129
IES Type	Type VS - Very Short
BUG Rating	B3-U3-G3

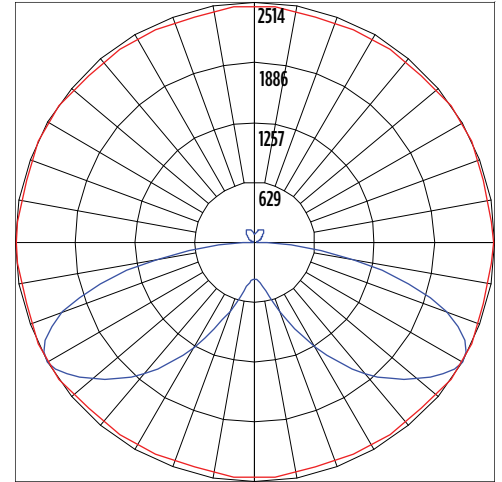
Zonal Lumen Summary		
Zone	Lumens	% Luminaire
Low (0-30°)	686	6.60%
Medium (30-60°)	4,652.6	45.00%
High (60-80°)	4,038	39.00%
Very High (80-90°)	469.4	4.50%
Uplight (90-180°)	496	4.80%
<b>Total Flux</b>	<b>10342</b>	<b>100%</b>

### ISO Footcandle



10' Mounting Height / 10' Grid Spacing  
 5 FC 2 FC 1 FC 0.5 FC

### Polar Curve



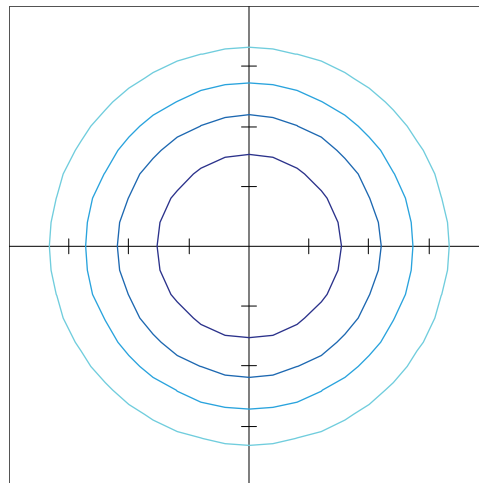
Vertical Plane Horizontal Cone

### EXN-EGLED-10L-T5NU-40

Luminaire Data	
<b>Wide Distribution</b>	
Description	4000 Kelvin, 70 CRI
Delivered Lumens	6,971
Watts	76
Efficacy	92
IES Type	Type IV - Very Short
BUG Rating	B2-U0-G2

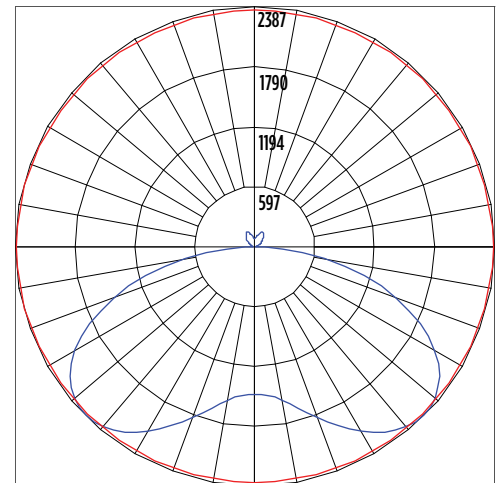
Zonal Lumen Summary		
Zone	Lumens	% Luminaire
Low (0-30°)	675.7	9.70%
Medium (30-60°)	3,740.8	53.70%
High (60-80°)	2,347.4	33.70%
Very High (80-90°)	207.2	3.00%
Uplight (90-180°)	0	0.00%
<b>Total Flux</b>	<b>6,971.1</b>	<b>100%</b>

### ISO Footcandle



10' Mounting Height / 10' Grid Spacing  
 5 FC 2 FC 1 FC 0.5 FC

### Polar Curve



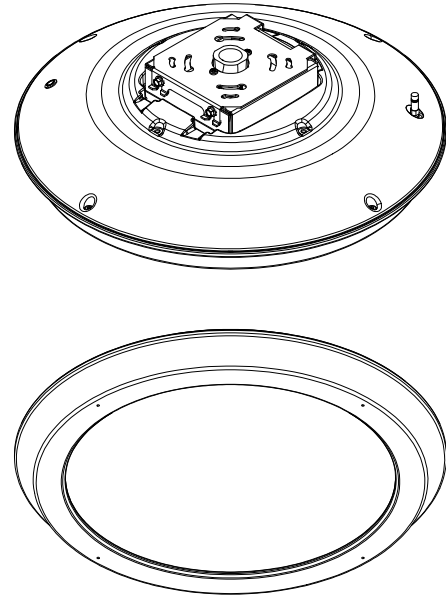
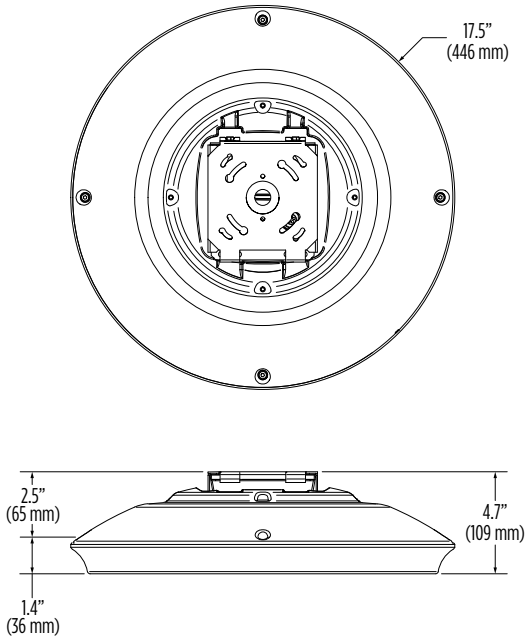
Vertical Plane Horizontal Cone

# Excursion (EXN) Edge-lit Parking Garage/Canopy Luminaire

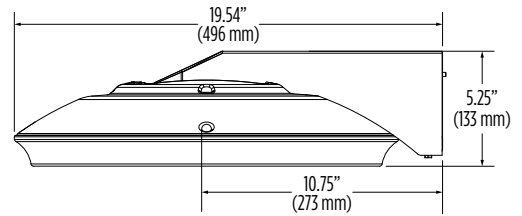
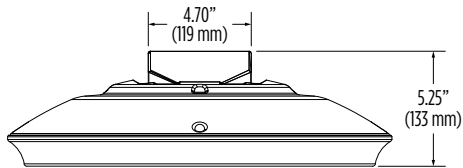
Type: \_\_\_\_\_

 Have questions? Call us at (800) 436-7800

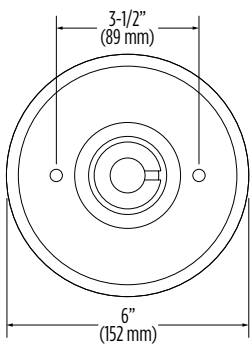
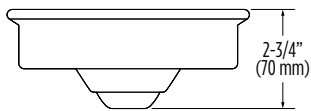
## PRODUCT DIMENSIONS



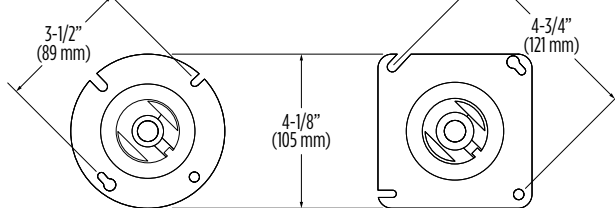
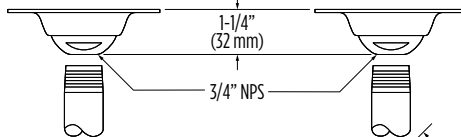
**Wall Mount Arm**  
(724323CLR)



**Decorative Aligner**  
(BC600 3)

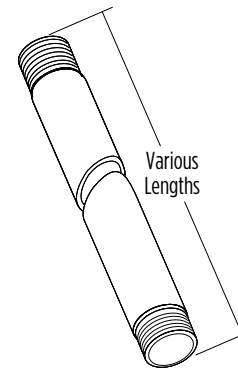


**Round Aligner**  
(BC585)

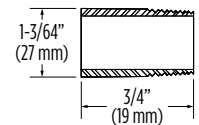


**Square Aligner**  
(BC585SQ)

**Aluminum Stem**  
(ST 6-60 3)



**Thread Notes**  
3/4 - 14 NPT  
(3/4" Pipe)  
(14 Threads Per Inch)  
(National Pipe Tapered)



## CONTROLS

---

### **Integral Bluetooth™ Motion and Photocell Sensor (IMSBT1L, IMSBT2L)**

Slim low profile sensor provides multi-level control based on motion and/or daylight. Sensor controls 0-10 VDC LED drivers and is rated for cold and wet locations (-30° C to 70° C). Two unique PIR lenses are available and used based on fixture mounting height. All control parameters are adjustable via an iOS or Android App capable of storing and transmitting sensor profiles.

[Click here to learn more details about IMSBT](#)

### **AirLink Wireless Lighting Controller (ALSC, ALSCS)**

The AirLink integrated controller is a California Title 24 compliant lighting controller that provides real-time light monitoring and control with utility-grade power monitoring. It includes a 24V sensor input and power supply to connect a sensor into the outdoor AirLink wireless lighting system. The wireless integrated controller is compatible with this fixture.

[Click here to learn more details about AirLink](#)

### **AirLink Blue (ALBC, ALBCS1, ALBCS2)**

Wireless Bluetooth Mesh Lighting Control System that provides energy savings, code compliance and enhanced safety/security. Three key components; Bluetooth wireless radio/sensor controller, Time Keeper and an App. Capable of grouping multiple fixtures and sensors as well as scheduling time-based events by zone. Radio/Sensor Controller is factory integrated into luminaires.

[Click here to learn more details about AirLink Blue](#)