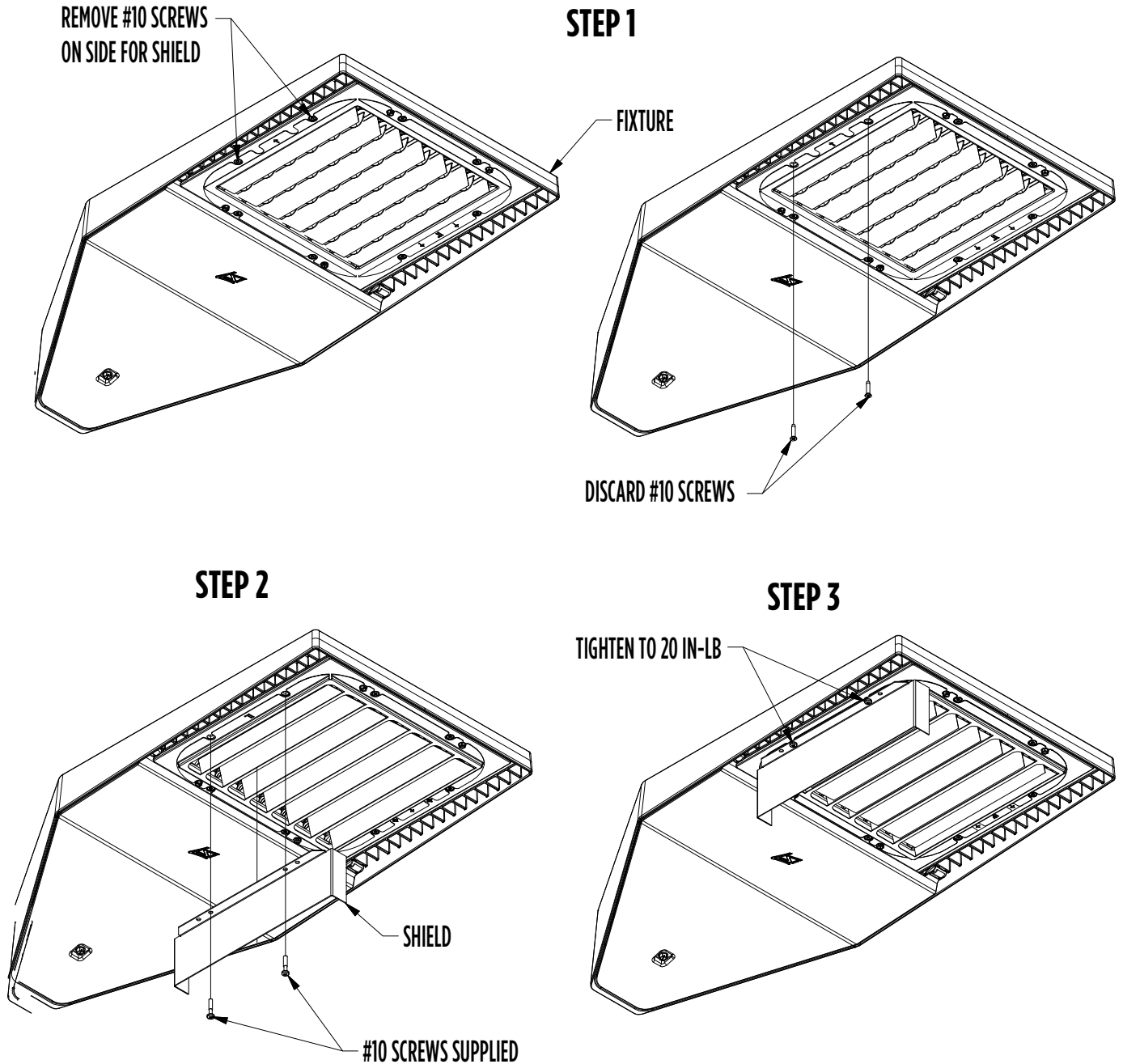


INSTRUCTIONS FOR MRM/SLM/ZNM/MRS/MRL/ZNL EXTERNAL SHIELD FIELD INSTALLATION:

WARNING: DISCONNECT POWER BEFORE INSTALLING OR SERVICING

1. Remove and discard (2) #10 screws from optic on the side the side shield is to be installed.
2. Attach the shield by installing the (2) #10 screws supplied, into the same holes in the optic that the screws were removed from in step 1.
3. Tighten all screws to 20 in-lb
4. Reconnect power



CAUTION: Shield cannot be mounted to back side of SLM.

CAUTION: Shield cannot be mounted to front side of MRS.

CAUTION: Shield cannot be mounted with IH or IL on MRM/ZNM/MRS/MRL/ZNL.

