

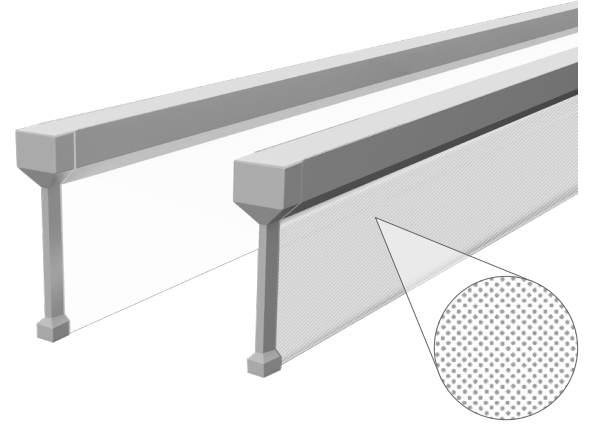


Catalog #: _____ Project: _____ Type: _____

Prepared By: _____ Date: _____

Clarity® M Series (CLRM)

Multi-purpose Architectural Linear



OVERVIEW	
Lumen Package (lm)	2,050 - 4,600
Color Temperature (K)	3000 - 3500 - 4000
Form Factor (ft.)	2, 4
Wattage Range (W)	20 - 40
Efficacy Range (LPW)	111 - 122
Weight lbs (kg)	2 ft. - 7 (3.2) 4 ft. - 12 (5.5)

QUICK LINKS

FEATURES & SPECIFICATIONS

Construction

- 2ft. and 4ft. form factors
- Extruded Aluminum construction
- Post-painted for high quality finish
- Operating temperature: 32°F to +95°F (0°C to 35°C)
- Vertical laser-etched light guide and diffuser

Optical System

- Edge-lit illumination combined with state of the art light guide technology
- Selectable brightness to suit a wide range of applications
- Selectable CCT for maximum flexibility
- Minimum color rendering index (CRI) of 90 for high visual acuity

Electrical

- High-performance driver features overvoltage, under-voltage, short-circuit and over-temperature protection.
- Selectable power to maximize energy savings
- 0-10V dimming (10% - 100%) standard.
- Standard Universal Voltage (120-277 VAC) Input 50/60 Hz
- L70 Calculated Life: >60k hours (See Lumen Maintenance on Page 5)
- Power factor (PF): > 0.90
- Total harmonic distortion (THD): <20%

Installation

- Surface, suspended or wall mounting
- T-Grid mounting using accessory kit
- See the accessory ordering guide for additional detail

Warranty

- LSI luminaires carry a 5-year limited warranty. Refer to <https://www.lsicorp.com/resources/terms-conditions-warranty/> for more information.
- 1 Year warranty on optional Battery Backup. Test regularly in accordance with local codes.

Listings

- Listed to UL 1598 and UL 8750.
- Suitable for damp locations.
- DesignLights Consortium® (DLC) qualified product. Not all versions of this product may be DLC Premium qualified. Please check the DLC Qualified Products List at www.designlights.org/QPL to confirm which versions are qualified.

 Have questions? Call us at (800) 436-7800

ORDERING GUIDE

TYPICAL ORDER EXAMPLE: CLRM4 FS1 UNV BLK 840

Prefix	Lumen Package	Color Temperature/Rendering	Voltage	Controls	Options ¹
CLRM2 - Clarity M 2 ft.	10L - 1000lm/ft.	CS1 - 3000-3500-4000K, 90 CRI min.	UNV - Universal Voltage (120-277VAC)	Blank - Remote Only See Controls Ordering Information	Blank - None BLK - Matte Black Finish
CLRM4 - Clarity M 4 ft.	FS1 - 500-750-1,000lm/ft., 3000-3500-4000K, 90 CRI min.				



Need more information?
[Click here for our glossary](#)

Have additional questions?
Call us at (800) 436-7800



ACCESSORY ORDERING INFORMATION² (Accessories are field installed)

Part Number	Description 1	Description 2
784205	PDCMK CLRM	Cable Suspension Mount Kit CLRM (5 ft.)
784206	SWMK CLRM	Surface/Wall Mount Kit CLRM
782898	GCMK 15/16 FLAT GRID	15/16" Flat T-grid Mounting Kit
782899	GCMK 9/16 FLAT GRID	9/16" Flat T-grid Mounting Kit
782900	GCMK 15/16 SLOT GRID	15/16" Slot T-grid Mounting Kit
782901	GCMK 9/16 SLOT GRID	9/16" Slot T-grid Mounting Kit
778196	EM8RB	8W Remote Mount Battery Pack

CONTROLS ORDERING INFORMATION

Part Number	Order Number	Description
755249	ALBC 5A	5A Circuit Controller
755248	ALBC 52 OS1	5A Controller w/ Ceiling-mount Motion & Daylight Harvesting Sensor 9ft. Mounting Height
755245	ALBC 5A OS2	5A Controller w/ Ceiling-mount Motion & Daylight Harvesting Sensor 40ft. Mounting Height
760580	ALBCM DHS	AirLink Blue Daylight Harvesting Sensor
760380	ALBCM DHS	AirLink Blue Ceiling Mount Motion Sensor
754823	ALBWS E02B WH	AirLink Blue Two Button Kinetic Switch
754824	ALBWS E04B WH	AirLink Blue Four Button Kinetic Switch
741967	ALBTK	AirLink Blue Time Keeper

PERFORMANCE

Delivered Lumens ³							
Lumen Package	Distribution	3000K		3500K		4000K	
		Delivered Lumens	Efficacy	Delivered Lumens	Efficacy	Delivered Lumens	Efficacy
CLRM2	20	2,039	102	2,215	115	2,206	111
	40	4,243	104	4,630	117	4,596	113
CLRM4	20	2,198	110	2,397	120	2,381	122
	30	3,247	108	3,542	118	3,517	119

Electrical Data - Current Draw AMPS ⁴					
Lumen Package	Wattage	120V	208V	240V	277V
CLRM2	20	0.17	0.10	0.08	0.07
	40	0.33	0.19	0.17	0.14
CLRM4	20	0.17	0.10	0.08	0.07
	30	0.25	0.14	0.13	0.11

Recommended Lumen Maintenance ⁵					
Ambient Temperature °C	Initial ⁶	25K hrs. ⁶	50K hrs. ⁶	75K hrs. ⁷	100K hrs. ⁷
0	100%	94%	88%	82%	77%
10	100%	94%	88%	82%	77%
20	100%	94%	88%	82%	77%
25	100%	94%	88%	82%	77%
35	100%	94%	88%	82%	77%

¹ White finish standard. Contact factory for custom colors.

² Mounting kit must be ordered separately depending on application. Not included with luminaire.

³ LEDs are frequently updated therefore values are nominal.

⁴ Electrical data at 25C (77F). Actual wattage may differ by +/-10%.

⁵ Lumen maintenance values at 25°C are calculated per TM-21 based on LM-80 data and in-situ luminaire testing.

⁶ In accordance with IESNA TM-21-11, Projected Values represent interpolated value based on time durations that are within six times (6X) the IESNA LM-80-08 total test duration (in hours) for the device under testing (DUT) i.e. the packaged LED chip.

⁷ In accordance with IESNA TM-21-11, Calculated Values represent time durations that exceed six times NA LM-80-08 total test duration (in hours) for the device under testing (DUT) i.e. the packaged LED chip.



PHOTOMETRICS

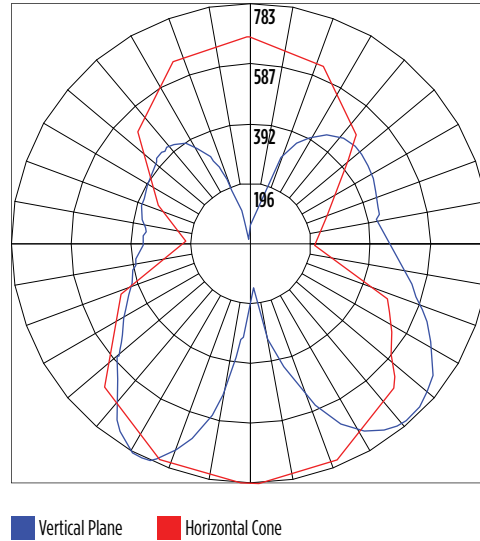
Luminaire photometry has been conducted by a NVLAP accredited testing laboratory in accordance with IESNA LM-79-08. As specified by IESNA LM-79-08 the entire luminaire is tested as the source resulting in a luminaire efficiency of 100%.

See the individual product page on <https://www.lsicorp.com/> for detailed photometric data.

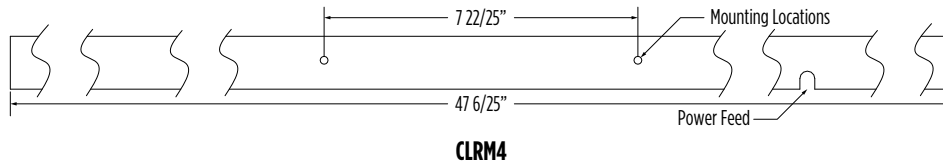
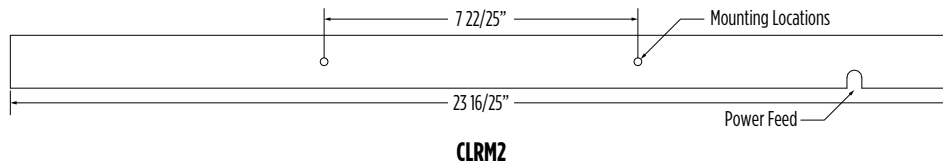
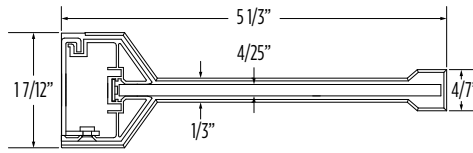
CLRM4-FS1-UNV-40W-3500K

Zonal Lumen Summary		
Zone	Lumens	% Luminaire
0-20	140.1	3.0
0-30	379.6	8.2
0-40	729.5	15.8
0-60	1,588.1	34.3
0-80	2,438.9	52.7
0-90	2,820.5	60.9
0-10	2,794.8	60.4
20-40	589.4	12.7
20-50	1,005.9	21.7
40-70	1,295.9	28.0
60-80	850.8	18.4
70-80	413.5	8.9
80-90	381.6	8.2
90-110	699.3	15.1
90-120	1,024.8	22.1
90-130	1,312.5	28.3
90-150	1,706.9	36.9
90-180	1,809.8	39.1
110-180	1,110.5	24.0
0-180	4,630.3	100

Polar Curve



PRODUCT DIMENSIONS



CONTROLS

AirLink Blue (ALBCSx)

Wireless Bluetooth Mesh Outdoor Lighting Control System that provides energy savings, code compliance and enhanced safety/security for parking lots and parking garages. Three key components; Bluetooth wireless radio/sensor controller, Time Keeper and an iOS App. Capable of grouping multiple fixtures and sensors as well as scheduling time-based events by zone. Radio/Sensor Controller is factory integrated into Area/ Site, Wall Mounted, Parking Garage and Canopy Luminaires.

[Click here to learn more details about AirLink Blue](#)



AirLink Blue App



Apple