



# Alliance (ALI)

## LED Linear High Bay



### OVERVIEW

Lumen Package (lm)	12,000 - 100,000
Wattage Range (W)	70 - 768
Efficacy Range (LPW)	124 - 166
Weight lbs (kg)	ALI2 - 11 - 20 (5 - 9) ALI4 - 18 - 30 (8 - 14)

### QUICK LINKS

## FEATURES & SPECIFICATIONS

### Construction

- Constructed of 22 gauge die formed steel with a post-paint polyester coat finish and rigid extruded aluminum heat sinks.
- Access panel provides hinged access to wiring and driver connections
- All metal parts are painted after fabrication following treatment with phosphate rust inhibitor. Finish coating of housing reflecting surfaces is with high reflectance white (minimum 92%) polyester powder

### Optical System

- Choice of 2 high performance distributions; Wide (W) Available with Less Lens (LL), Clear Acrylic (CA) and Diffuse Acrylic (DA) lens option, or Narrow / Aisle (N). Narrow / Aisle distribution is available with Less lens (LL) only.
- Optional high transmission impact resistant lenses available in Clear Acrylic (CA) and Diffuse Acrylic (DA)
- Less Lens (LL) option available for high efficiency applications.
- Available in 4000K, 5000K color temperatures.
- Minimum CRI of 80.
- Available indirect light output configuration.

### Electrical

- High-performance programmable driver features overvoltage, under voltage, short-circuit and over temperature protection. Custom lumen and wattage packages available.
- 0-10 volt dimming (5% - 100%) standard.
- L80 Calculated Life: >100k Hours (See Lumen Maintenance table)

- Total harmonic distortion (THD): <20%
- Operating temperature: -40C to +60C (-40F to +140F)
  - Actual ambient may vary by unit, please refer to ambient ratings table for specifics
  - Ambient temperature rating is 30C (86C) when equipped with EM option.
- Optional 120v-277v integral emergency battery pack is available. The 90-minute batteries provide constant power to the LED system, ensuring code compliance. A test switch/indicator button is installed on the housing for ease of maintenance.
- Field replaceable surge protection device meets a minimum Category C Low operation (per ANSI/IEEE C62.41.2).
- Power factor (PF): >.95
- Standard surge protection rated to 10kV

### Controls

- Stand-Alone Controls**  
External and Passive Infrared Bluetooth Motion/Photocell Sensor (OMSBTxL, IMSBTxL)
  - Switches luminaire light levels based on motion and daylight (see the controls section for more details)
  - Fixtures operate independently and can be commissioned via iOS or Android configuration app
- LSI's AirLink™ Blue**
  - App based, wireless Bluetooth mesh lighting control system
  - Automated control of grouped fixtures based on motion sensors, daylight or a fully customizable schedule.

### Installation

- Mounting options include; Hook Cable Hangers (HCH10), Pendant Mount (PM), Single Hub/Cable Mount (SHC), and Surface Mount (SMK).

### Warranty

- LSI luminaires carry a 5-year limited warranty. Refer to <https://www.lsicorp.com/resources/terms-conditions/warranty/> for more information.
- 1 Year warranty on optional Battery Back Up. Test regularly in accordance with local codes

### Listings

- Listed to UL 1598 and UL 8750
- American Recovery and Reinvestment Act Funding Compliant
- RoHS Compliant
- State of California Title 24 compliant
- Suitable For Damp Locations
- Meets Buy American Act Requirements
- Wireless Bluetooth compliant options
- DesignLights Consortium® (DLC) qualified product. Not all versions of this product may be DLC qualified. Please check the DLC Qualified Products List at [www.designlights.org/QPL](http://www.designlights.org/QPL) to confirm which versions are qualified.
- IK08 rated luminaire per IEC 66262 mechanical impact code

## ORDERING GUIDE

TYPICAL ORDER EXAMPLE: ALI2 ZLEDHE 24L CA W UNV 40 ALSCS							
Prefix	Light Source	Lumen Package	Lens/Optic	Distribution	Voltage	Driver	Color Temperature / Rendering
<b>ALI2</b> - Alliance Linear High Bay 2ft	<b>ZLEDHE</b> - High Efficiency <b>ZLEDSE</b> - Standard Efficiency	<b>12L</b> - 12,000 Lumens <b>15L</b> - 15,000 Lumens <b>18L</b> - 18,000 Lumens <b>24L</b> - 24,000 Lumens <b>30L</b> - 30,000 Lumens <b>36L</b> - 36,000 Lumens <b>48L</b> - 48,000 Lumens <b>60L</b> - 60,000 Lumens <sup>1</sup>	<b>CA</b> - Clear Acrylic <b>DA</b> - Diffuse Acrylic <b>LL</b> - Less Lens	<b>W</b> - Wide <b>N</b> - Focus/Aisle <sup>2,3,5</sup>	<b>UNV</b> - Universal Voltage (120 - 277V) <b>HV</b> - High Voltage (347-480V)	<b>Standard</b> - 0-10V Dimming	<b>40</b> - 4000K / 80CRI <b>50</b> - 5000K / 80CRI
<b>ALI4</b> - Alliance Linear High Bay 4ft		<b>12L</b> - 12,000 Lumens <b>15L</b> - 15,000 Lumens <b>18L</b> - 18,000 Lumens <b>24L</b> - 24,000 Lumens <b>30L</b> - 30,000 Lumens <b>36L</b> - 36,000 Lumens <b>48L</b> - 48,000 Lumens <b>60L</b> - 60,000 Lumens <b>80L</b> - 80,000 Lumens <b>100L</b> - 100,000 Lumens <sup>2,3</sup> <b>Custom Lumens</b> <sup>4</sup>					
Controls		EM Options	Options				
<b>OMS2</b> - External PIR sensor up to 40ft <b>OMS2-480</b> - External PIR sensor up to 40ft for 480V applications <b>OMSBT2L</b> - External Bluetooth PIR motion and photo sensor up to 40ft <b>IMSBT2L</b> - Integral Bluetooth PIR motion and photo sensor up to 40ft <b>ALBCS2</b> - AirLink Blue Wireless Motion & Photo Sensor Controller (25-40' mounting height)  For low mounting height below 20ft, substitute "2" in nomenclature with "L" For programming, please see "Sensors Sequence of Operations Charts."		<b>Standard</b> - No Battery <b>EM</b> - Emergency Backup 10W <sup>6,7,8</sup> <b>EM20</b> - Emergency Backup 20W <sup>5,6,7</sup>	<b>EXT</b> - Extended Leads <sup>9</sup> <b>CLDS</b> - Center Leads <sup>5,9,10</sup> <b>E6CN</b> - 6ft cord 16/3 non-dimming; no plug installed at END <b>E6CD</b> - 6ft cord 16/5 dimming; no plug installed at END <b>E10CN</b> - 10ft cord 16/3 non-dimming; no plug installed at END <b>E10CD</b> - 10ft cord 16/5 dimming; no plug installed at END <b>C6CN</b> - 6ft cord 16/3 non-dimming; no plug installed at CENTER <sup>3</sup> <b>C6CD</b> - 6ft cord 16/5 dimming; no plug installed at CENTER <sup>3</sup> <b>C10CN</b> - 10ft cord 16/3 non-dimming; no plug installed at CENTER <sup>3</sup>				
			<b>C10CD</b> - 10ft cord 16/5 dimming; no plug installed at CENTER <sup>3</sup> <b>515P</b> - 5-15P Plug only (120V) <b>L515P</b> - 5-15P Twistlock Plug (125V) <sup>11</sup> <b>L615P</b> - 6-15P Twistlock Plug (250V) <sup>11</sup> <b>L715P</b> - 7-15P Twistlock Plug (277V) <sup>11</sup> <b>L820P</b> - 8-20P Twistlock Plug (480V) <sup>11</sup> <b>L2420P</b> - 24-20P Twistlock Plug only (347V) <sup>11</sup> <b>ID</b> - Indirect Light (100% light up)				



**Need more information?**  
[Click here for our glossary.](#)

**Have additional questions?**  
 Call us at (800) 436-7800



## ACCESSORY ORDERING INFORMATION

Part Number	Order Number	Description
<b>726672</b>	<b>ALI PMK</b> <sup>12</sup>	Pendant Mount J-Box Kit
<b>572488</b>	<b>KIT SHC</b>	Single Hub/Chain Mount
<b>783379R4</b>	<b>MCH10</b> <sup>13</sup>	10' Mini Hook Cable Hanger (2 per) - Up/Down adjustable and Left/Right adjustable
<b>726673</b>	<b>SMK</b>	Surface Mount Kit

1 60L not available with ALI2 ZLEDHE

2 Available only in LL

3 Not available with ID (Indirect Light) Option

4 Custom lumen packages available, please consult factory. Values are within industry standard tolerances and not DLC listed.

5 Not available for 100L

6 The following lumen packages are available with externally mounted EM: ALI2 36L HE, 48L HE, 60L SE and ALI4 80L SE and 100L SE.

7 Not available with HV.

8 Not available with 80L in ID (Indirect Light) Option

9 EXT and CLDS leads are standard 16/5 dimming

10 Center leads option requires pendant mount "PM" option

11 Standard with 6' cord unless specified with cord/no plug option

12 PM option provides wiring box with 3/4" threaded hub for connections. Stems must be ordered separately.

13 See Product Dimensions section for accessory examples.

## PERFORMANCE

Delivered Lumens (ALIZ)*								
Lumen Package	Light Source	Lens/Optic	CRI	4000K CCT		5000K CCT		Wattage
				Delivered Lumens	Efficacy	Delivered Lumens	Efficacy	
12L	2LEDSE	LL	80	12,017	153	12,017	153	79
		CA		11,363	144	11,363	144	
		DA		10,387	132	10,387	132	
		N		11,474	146	11,474	146	
	2LEDHE	LL	80	12,056	162	12,056	162	74
		CA		11,400	153	11,400	153	
		DA		10,421	140	10,421	140	
		N		11,542	155	11,542	155	
15L	2LEDSE	LL	80	15,106	146	15,106	146	104
		CA		14,284	138	14,284	138	
		DA		13,057	126	13,057	126	
		N		14,423	139	14,423	139	
	2LEDHE	LL	80	15,089	159	15,089	159	95
		CA		14,268	150	14,268	150	
		DA		13,042	137	13,042	137	
		N		14,446	152	14,446	152	
18L	2LEDSE	LL	80	18,097	152	18,097	152	119
		CA		17,112	144	17,112	144	
		DA		15,642	132	15,642	132	
		N		17,279	145	17,279	145	
	2LEDHE	LL	80	18,029	166	18,029	166	109
		CA		17,048	157	17,048	157	
		DA		15,584	143	15,584	143	
		N		17,261	159	17,261	159	
24L	2LEDSE	LL	80	23,934	144	23,934	144	166
		CA		22,631	136	22,631	136	
		DA		20,688	124	20,688	124	
		N		22,852	137	22,852	137	
	2LEDHE	LL	80	24,096	164	24,096	164	147
		CA		22,785	155	22,785	155	
		DA		20,828	142	20,828	142	
		N		23,069	157	23,069	157	
30L	2LEDSE	LL	80	29,913	146	29,913	146	204
		CA		28,285	138	28,285	138	
		DA		25,856	127	25,856	127	
		N		28,561	140	27,408	134	
	2LEDHE	LL	80	29,942	160	29,942	160	187
		CA		28,312	152	28,312	152	
		DA		25,881	139	25,881	139	
		N		28,666	154	28,666	154	
36L	2LEDSE	LL	80	35,977	152	35,977	152	237
		CA		34,019	144	34,019	144	
		DA		31,097	131	31,097	131	
		N		34,351	145	34,351	145	
	2LEDHE	LL	80	35,960	156	35,960	156	230
		CA		34,003	148	34,003	148	
		DA		31,082	135	31,082	135	
		N		34,427	150	34,427	150	
48L	2LEDSE	LL	80	47,933	143	47,933	143	336
		CA		45,324	135	45,324	135	
		DA		41,431	123	41,431	123	
		N		45,766	136	45,766	136	
	2LEDHE	LL	80	48,026	154	48,026	154	312
		CA		45,412	146	45,412	146	
		DA		41,512	133	41,512	133	
		N		45,979	147	45,979	147	
60L	2LEDSE	LL	80	60,028	149	60,028	149	404
		CA		56,761	141	56,761	141	
		DA		51,886	128	51,886	128	
		N		57,314	142	57,314	142	

\*LED Chips are frequently updated therefore values are nominal.

## PERFORMANCE

Delivered Lumens (ALI4)*									
Lumen Package	Light Source	Lens/Optic	CRI	4000K CCT		5000K CCT		Wattage	
				Delivered Lumens	Efficacy	Delivered Lumens	Efficacy		
12L	2LEDSE	LL	80	12,064	170	12,064	170	71	
		CA		11,562	163	11,562	163		
		DA		10,641	150	10,641	150		
		N		11,331	160	11,331	160		
	2LEDHE	LL	80	12,047	171	12,047	171		70
		CA		11,546	164	11,546	164		
		DA		10,626	151	10,626	151		
		N		11,432	163	11,432	163		
15L	2LEDSE	LL	80	15,002	163	15,002	163	92	
		CA		14,378	156	14,378	156		
		DA		13,232	144	13,232	144		
		N		14,090	153	14,090	153		
	2LEDHE	LL	80	15,090	172	15,090	172		88
		CA		14,462	165	14,462	165		
		DA		13,310	151	13,310	151		
		N		14,319	163	14,319	163		
18L	2LEDSE	LL	80	18,060	153	18,060	153	118	
		CA		17,308	147	17,308	147		
		DA		15,930	135	15,930	135		
		N		16,962	144	16,962	144		
	2LEDHE	LL	80	18,045	160	18,045	160		113
		CA		17,294	153	17,294	153		
		DA		15,917	141	15,917	141		
		N		17,123	152	17,123	152		
24L	2LEDSE	LL	80	24,008	149	24,008	149	161	
		CA		23,009	143	23,009	143		
		DA		21,176	132	21,176	132		
		N		22,549	140	22,549	140		
	2LEDHE	LL	80	24,079	159	24,079	159		152
		CA		23,077	152	23,077	152		
		DA		21,239	140	21,239	140		
		N		22,849	151	22,849	151		
30L	2LEDSE	LL	80	30,029	144	30,029	144	209	
		CA		28,779	138	28,779	138		
		DA		26,487	127	26,487	127		
		N		28,204	135	28,204	135		
	2LEDHE	LL	80	30,002	155	30,002	155		194
		CA		28,754	148	28,754	148		
		DA		26,463	137	26,463	137		
		N		28,470	147	28,470	147		
36L	2LEDSE	LL	80	36,087	146	36,087	146	247	
		CA		34,585	140	34,585	140		
		DA		31,830	129	31,830	129		
		N		33,894	137	33,894	137		
	2LEDHE	LL	80	36,027	159	36,027	159		226
		CA		34,528	153	34,528	153		
		DA		31,777	141	31,777	141		
		N		34,187	151	34,187	151		
48L	2LEDSE	LL	80	48,011	137	48,011	137	350	
		CA		46,013	131	46,013	131		
		DA		42,348	121	42,348	121		
		N		45,093	129	45,093	129		
	2LEDHE	LL	80	48,103	158	48,103	158		305
		CA		46,101	151	46,101	151		
		DA		42,429	139	42,429	139		
		N		45,646	150	45,646	150		
60L	2LEDSE	LL	80	60,051	140	60,051	140	428	
		CA		57,552	135	57,552	135		
		DA		52,968	124	52,968	124		
		N		56,401	132	56,401	132		
	2LEDHE	LL	80	60,100	154	60,100	154		389
		CA		57,599	148	57,599	148		
		DA		53,011	136	53,011	136		
		N		57,030	147	57,030	147		
80L	2LEDSE	LL	80	80,088	146	80,088	146	550	
		CA		76,755	140	76,755	140		
		DA		70,641	128	70,641	128		
100L	2LEDSE	LL	80	100,024	130	100,024	130	768	

\*LED Chips are frequently updated therefore values are nominal.

# Alliance (ALI) LED Linear High Bay

Type : \_\_\_\_\_

 Have questions? Call us at (800) 436-7800

## PERFORMANCE

ALI2 Ambient Rating, HE/SE Outputs		
Model	Lens Option	
	LL	CA, DA, N
12L	60	55
15L		
18L		
24L	50	45
30L		
36L		
48L		
60L	45	40

ALI4 Ambient Rating, HE/SE Outputs		
Model	Lens Option	
	LL	CA, DA, N
12L	60	55
15L		
18L		
24L		
30L		
36L	50	45
48L		
60L		
80L	40	NA
100L	40	NA

Cord Application Notes							
		Not Dimming				Dimming	
		No Emergency or Controls	Emergency	Controls <sup>1</sup>	Emergency and Controls	No Emergency or Controls	Emergency
Switched Circuitry Using a Wall Switch to Dim <sup>2</sup>	Plug	Yes	No	Yes	No	No	No
	# of Cord Wires	3	4	3	4	5	6
Non-Switched Circuitry Using Controls to Dim <sup>3</sup>	Plug	Yes	Yes	Yes	Yes	No	No
	# of Cord Wires	3	3	3	3	5	6

 Have questions? Call us at (800) 436-7800

## PHOTOMETRICS

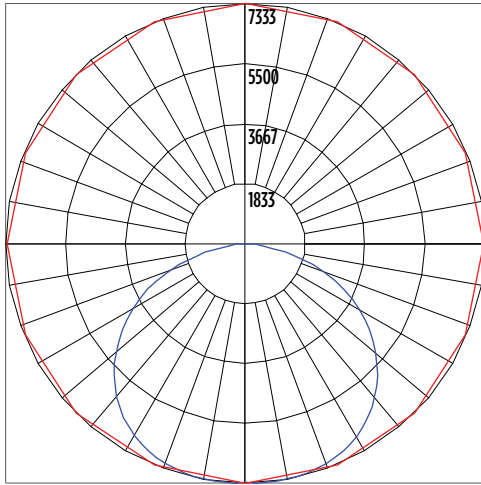
Luminaire photometry has been conducted by a NVLAP accredited testing laboratory in accordance with IESNA LM-79-08. As specified by IESNA LM-79-08 the entire luminaire is tested as the source resulting in a luminaire efficiency of 100%.

See the individual product page on <https://www.lsicorp.com/product/alliance-high-bay/> for detailed photometric data.

### ALI2-2LEDHE-24-LL-W-50

Luminaire Data	
Wide Distribution	
Description	5000 Kelvin, 80 CRI
Delivered Lumens	24,096
Watts	147
Efficacy	164

#### Polar Curve

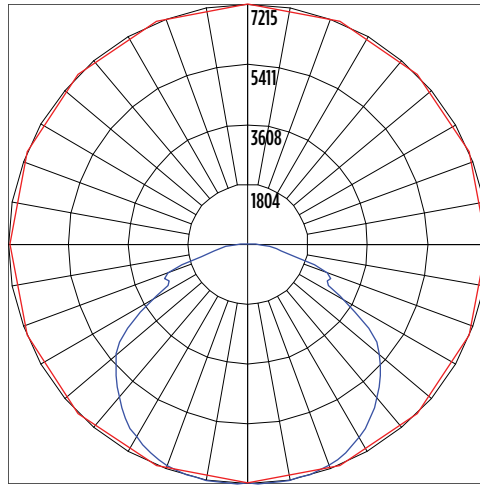


 Vertical Plane  Horizontal Cone

### ALI2-2LEDHE-24-CA-W-50

Luminaire Data	
Wide Distribution	
Description	5000 Kelvin, 80 CRI
Delivered Lumens	22,785
Watts	147
Efficacy	155

#### Polar Curve

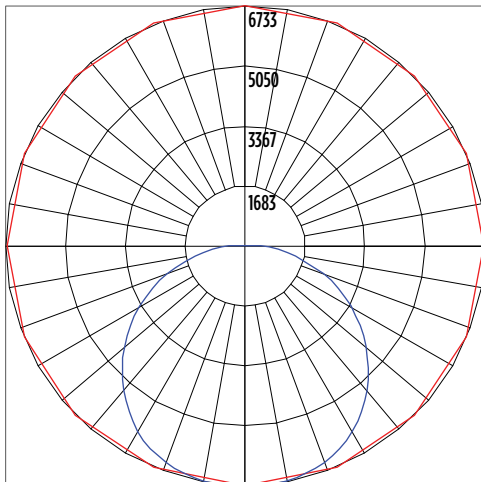


 Vertical Plane  Horizontal Cone

### ALI2-2LEDHE-24-DA-W-50

Luminaire Data	
Wide Distribution	
Description	5000 Kelvin, 80 CRI
Delivered Lumens	20,829
Watts	147
Efficacy	142

#### Polar Curve

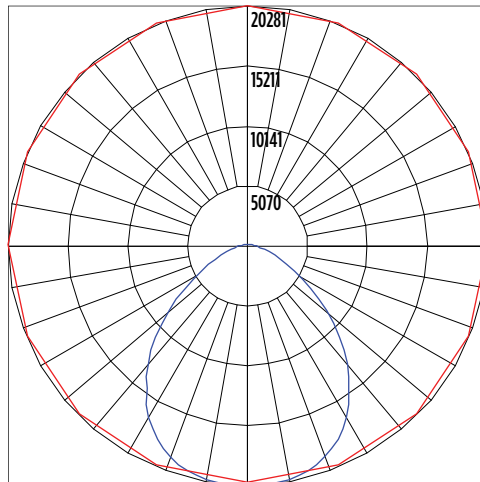


 Vertical Plane  Horizontal Cone

### ALI2-2LEDHE-24-LL-N-50

Luminaire Data	
Wide Distribution	
Description	5000 Kelvin, 80 CRI
Delivered Lumens	23,069
Watts	147
Efficacy	157

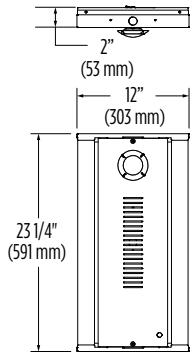
#### Polar Curve



 Vertical Plane  Horizontal Cone

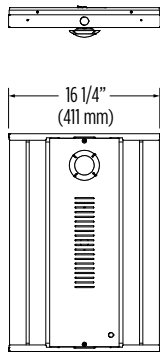
 Have questions? Call us at (800) 436-7800

## PRODUCT DIMENSIONS



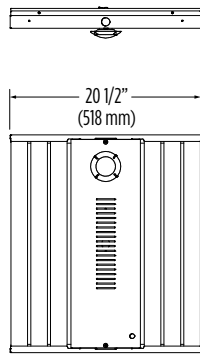
**ALI2 2LEDSE**  
(12L, 15L, 18L, 24L)

**ALI2 2LEDHE**  
(12L, 15L)



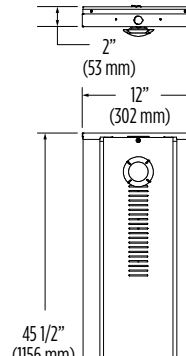
**ALI2 2LEDSE**  
(30L, 36L, 48L)

**ALI2 2LEDHE**  
(18L, 24L, 30L)



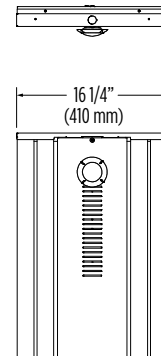
**ALI2 2LEDSE**  
(60L)

**ALI2 2LEDHE**  
(36L, 48L)



**ALI4 2LEDSE**  
(12L, 15L, 18L, 24L, 30L, 36L, 48L)

**ALI4 2LEDHE**  
(12L, 15L, 18L, 24L, 30L)



**ALI4 2LEDSE**  
(60L, 80L, 100L)

**ALI4 2LEDHE**  
(36L, 48L, 60L)

SHIPPING WEIGHTS (ALI2)*					
Light Source	Lumen Package	Weight (lbs)	Light Source	Lumen Package	Weight (lbs)
<b>2LEDSE</b>	12L	11.0	<b>2LEDHE</b>	12L	11.0
	15L	11.0		15L	11.0
	18L	11.0		18L	13.6
	24L	11.0		24L	13.6
	30L	13.6		30L	13.6
	36L	15.8		36L	20.2
	48L	15.8		48L	20.2
	60L	20.2			

SHIPPING WEIGHTS (ALI4)*					
Light Source	Lumen Package	Weight (lbs)	Light Source	Lumen Package	Weight (lbs)
<b>2LEDSE</b>	12L	18.4	<b>2LEDHE</b>	12L	18.4
	15L	18.4		15L	18.4
	18L	18.4		18L	18.4
	24L	18.4		24L	18.4
	30L	18.4		30L	18.4
	36L	20.6		36L	25.6
	48L	20.6		48L	25.6
	60L	20.2		60L	25.6
	80L	29.8 lbs			
	100L	29.8 lbs			



**Components of the MCH10 Hardware Kit**



**MCH10 hooks attached to ALI**



**View of ALI with MCH10 hardware kit**

\*Add 4 lbs for 10 watt EM, Add 6 lbs for 20 watt EM.

## CONTROLS

### Integral Bluetooth™ Motion and Photocell Sensor (IMSBTxL)

Slim low profile sensor provides multi-level control based on motion and/or daylight. Sensor controls 0-10 VDC LED drivers and is IP66 rated for cold and wet locations (-40°F to 167°F). Two unique PIR lenses are available and used based on fixture mounting height. All control parameters are adjustable via an iOS or Android App capable of storing and transmitting sensor profiles.

[Click here to learn more details about IMSBT](#)



LEVITON App



Apple



Android

### AirLink Blue (ALBCSx)

Wireless Bluetooth Mesh Outdoor Lighting Control System that provides energy savings, code compliance and enhanced safety/security for parking lots and parking garages. Three key components; Bluetooth wireless radio/sensor controller, Time Keeper and an iOS App. Capable of grouping multiple fixtures and sensors as well as scheduling time-based events by zone. Radio/Sensor Controller is factory integrated into Area/Site, Wall Mounted, Parking Garage and Canopy luminaires.

[Click here to learn more details about AirLink Blue](#)



AirLink Blue App



Apple

### Sensor Sequence of Operations

Standard Programming	On Event	On Light Event	Dim Light Level	Delay to Dim	Delay to Off	Sensitivity
OMSBTxL/IMSBTxL	Motion	100%	50%	5 seconds	10 seconds	High
OMS	Motion	N/A	N/A	N/A	30 seconds	Auto

Operation	Description
<b>On Event</b>	Trigger that activates lights to turn on; either automatic via motion detected or manually activated via push of button.
<b>Off Event</b>	Trigger that activates lights to turn off; either automatic via no motion detected or manually activated via push of button.
<b>On Light Level</b>	The light level that the fixtures will turn on to when ON EVENT occurs.
<b>Dim Light Level</b>	The light level that the fixtures will dim down to when no motion is detected.
<b>Delay to Dim</b>	The amount of time after which no motion is detected that the fixtures will be triggered to dim down. This sequence is optional, and sensor can be programmed to only trigger the fixture to turn off by entering 100% in this field.
<b>Delay to Off</b>	The amount of time after which no motion is detected that the fixtures will be triggered to turn off. If delay to dim is part of the programmed functionality, this is the amount of time after which no motion is detected after the fixture have already dimmed down.
<b>Sensitivity</b>	The sensitivity can be set to high, medium, low, or auto where applicable. High will detect smaller, simple motions. Low will only detect larger more complex motions. Auto temperature calibration adjusts the PIR sensitivity as ambient temperature rises to increase detection of heat movement through the field of view.