



AirLink™ Blue Motion & Daylight Harvesting Sensor (ALBCSD)

Wireless Lighting Control



OVERVIEW

Signal (wireless)	Bluetooth
Signal Range ft (m)	100 (30)
Coverage Range (ft)	40
Coverage Area (ft ²)	1,200
Operating Temp F (C)	-4 - 140 (-20 - 60)

QUICK LINKS

FEATURES & SPECIFICATIONS

Description

- The AirLink Blue ceiling motion and daylight harvesting sensor provides wireless lighting control based on motion and available ambient daylight. Multiple fixtures can be grouped to be controlled by a single sensor.
- Controls 0-10 VDC LED drivers and is rated for indoor installations.
- Control parameters are adjustable via an iOS App capable of storing and transmitting sensor profiles.
- Ceiling motion and daylight harvesting sensor utilizes a Bluetooth Low Energy (BLE) mesh network.
- 360 degree PIR motion sensor can be configured as an occupancy or occupancy and daylight harvesting sensor.
- The addition of an AirLink Blue Time Keeper adds the ability to schedule multiple events based on time of day or Astronomical clock.

Construction

- Constructed of white ABS.
- Rated for indoor installations

Electrical

- Class 2 device with a 0-10V configurable dimming output
- Operates on 12-24 VDC from either at 120-277V power pack or auxiliary output driver
- Low voltage power provided by driver auxiliary outputs

Controls

- Multiple fixtures can be grouped and controlled by a single ceiling motion and daylight harvesting sensor.
- Programmable settings include motion sensing length of time delays and sensor sensitivity
- Parameter profiles, password protection and real time feedback from the sensor can speed up configuration and provide custom user control.
- Max sensor coverage area 8.2' radius at 8ft mounting height (5m at 2.5m mounting height). Results may vary based on mounting height, temperature, types of clothing and backgrounds.
- Max Bluetooth range is 100' (30m) line of sight and highly dependent on the integration of fixtures, surrounding environment. It is recommended to conduct testing for range accuracy.
- LED Indicators

Green LED (Network Status)

- Fast blink (300ms cycle) Unprovisioned
- Slow blink (2000ms cycle) Provisioned
- Blink twice Mesh packet received
- Long blink Factory reset

Red LED (Motion Sensor Status)

- Blink once Motion detected

Installation

- Ceiling motion and daylight harvesting sensor mounts to ceiling tile up to 10 feet in height via 1 inch trade size hole (22.4mm). Standard j-box required for installation of power-pack and for wiring connections. Install along routes with expected traffic and conduct testing along these routes.
- Ceiling motion and daylight harvesting sensor can also be installed integrated into a luminaire.
- PIR detection is 360° coverage pattern and is best suited for areas with a clear line of sight and good air circulation.
- Operating temperature range of 0°C to +45°C (32°F to 113°F).

Warranty

- LSI luminaires carry a 5-year limited warranty. Refer to <https://www.lsicorp.com/resources/terms-conditions-warranty/> for more information.

Listings

- FCC
- IC
- Bluetooth
- CE
- UL

AirLink™ Blue
Technology Partner **SILVAIR**

ORDERING GUIDE

TYPICAL ORDER EXAMPLE: ALBCSD

Prefix	Description	Part Number
ALBCSD	AirLink Blue Motion And Daylight Harvesting Sensor White	789302



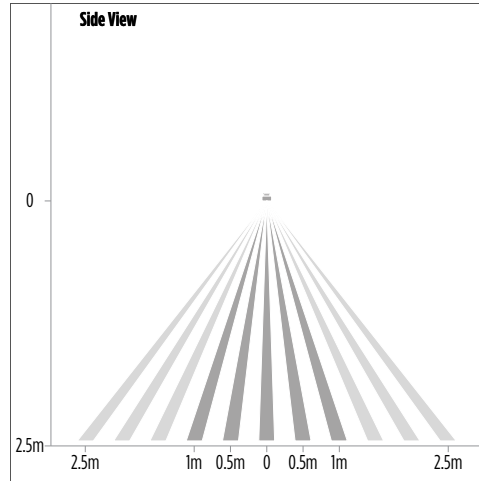
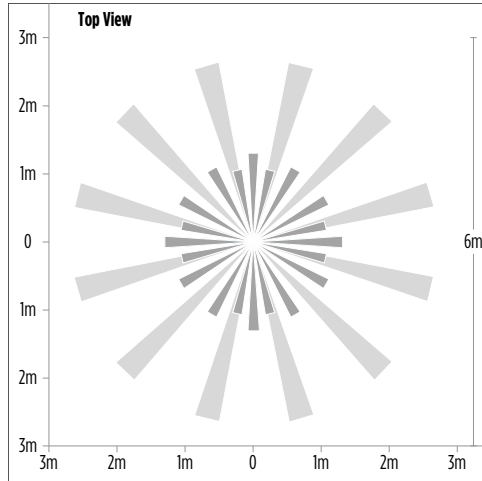
Need more information?
[Click here for our glossary.](#)

Have additional questions?
 Call us at (800) 436-7800

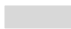



PERFORMANCE

ALBCSD Signal Range 8-40' (2.5-12 m) - 360° Coverage



The detection area for movement sensor can be roughly divided into two parts

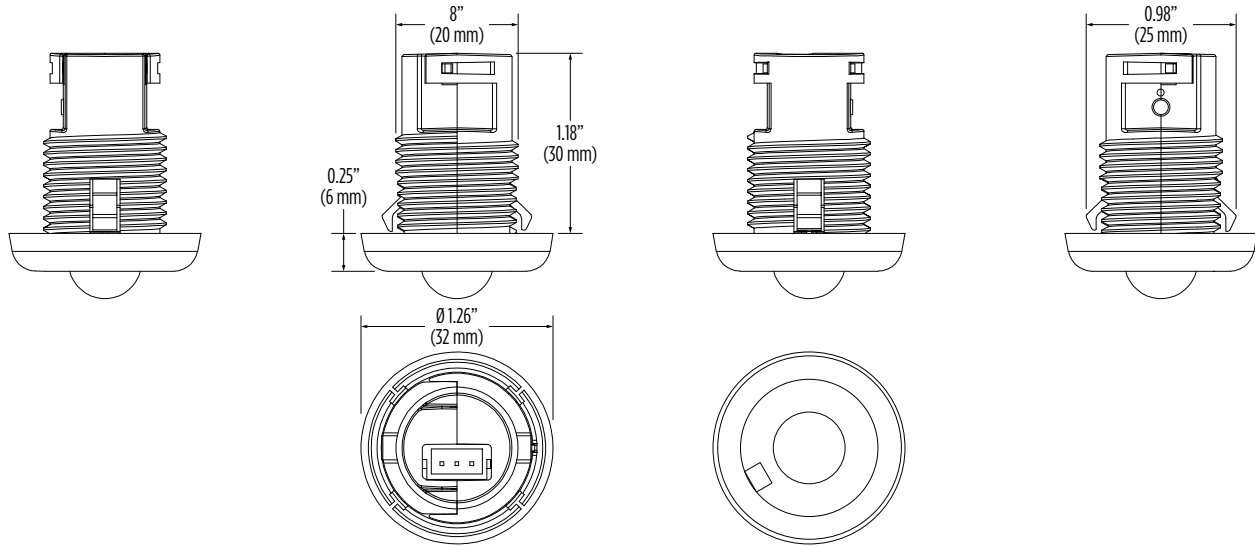
-  Quick movement (person moving < 1.0 ft/s or 0.3 m/s)
-  Small movement (person moving < 1.3 ft/s or 0.4 m/s)

AirLink™ Blue Motion & Daylight Harvesting Sensor (ALBCSD)

Type: _____

 Have questions? Call us at (800) 436-7800

PRODUCT DIMENSIONS



PRODUCT WIRING

