

Catalog # :

Project :

Prepared By :

Date :



## 14" Brush Nickel Flush Mount LED Luminaire



The versatile decorative ceiling mount can be used in a broad range of residential and commercial applications.

The brushed nickel finish matches popular décor trends and utilizes the latest solid state lighting technology for optimal performance and increased energy efficiency. The traditional round shape is designed to illuminate bathrooms, hallways, foyers, corridors and much more.

### Features & Specifications

#### Construction

- Cylindrical housing consists of spun aluminum with brushed nickel finish to offer premium aesthetics

#### Optics

- 14" frosted acrylic lens produces even, uniform illumination
- Available in 3000K color temperature
- Minimum 80 CRI

#### Electrical

- Delivered Lumens – 1,910
- Input Power – 21 Watts
- Lumens per Watt – 89
- 120 Volts AC
- Power factor – 0.975
- Rated for 50,000 hours life at 70% lumen output
- Operating Temperature 20° - 50°C (68° - 122°F)

#### Listings

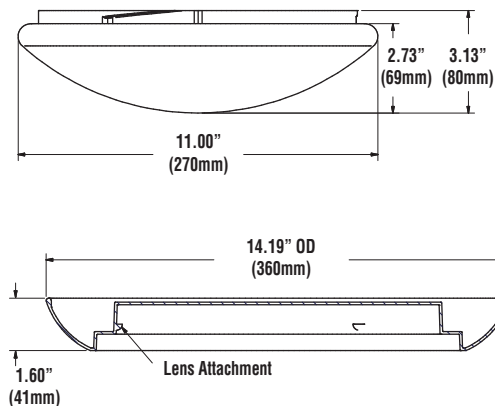
UL listed, Suitable for Damp locations

#### Warranty

LSI standard 5-year limited warranty



### Dimensions





# 14" Brush Nickel Flush Mount LED Luminaire

## Luminaire Ordering Guide

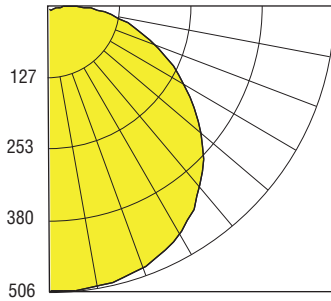
TYPICAL ORDER EXAMPLE: **SM 14 8 30 120 BN**

Luminaire Prefix	Size	CRI	Color Temp	Line Voltage	Finish
SM - Surface Mount	14 - 14"	8 - 80 Min.	30 - 3000K	120 - 120 VAC	BN - Brushed Nickel

## Photometry

### SM 14 8 30 120 BN

Luminaire photometry has been conducted by an accredited laboratory in accordance with IESNA LM-79. As specified by IESNA LM-79, the entire luminaire is tested as the source, resulting in a luminaire efficiency of 100%.



ZONAL LUMEN SUMMARY		
ZONE	LUMENS	% OF LUMINAIRE
0-20	189.62	9.90%
0-30	411.24	21.50%
0-40	687.67	36.00%
0-60	1,265.8	66.30%
0-80	1,685.06	88.20%
0-90	1,805.74	94.50%
10-90	1,757.52	92.00%
20-40	498.04	26.10%
20-50	794.71	41.60%
40-70	816.64	42.80%
60-80	419.27	22.00%
70-80	180.76	9.50%
80-90	120.68	6.30%
90-110	96.90	5.10%
90-120	103.95	5.40%
90-130	104.14	5.50%
90-150	104.14	5.50%
90-180	104.14	5.50%
110-180	7.25	0.40%
0-180	1,909.89	100.00%