



Universal Replacement Poles



ARRA
Funding Compliant

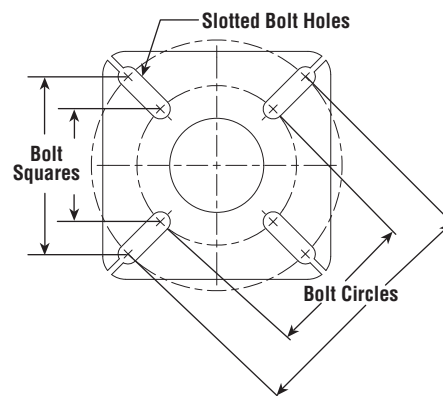


Light poles play a critical role in keeping your facility safe and well-lit. Your installed lighting infrastructure can be hiding serious liability issues as time, weather, salt and fertilizers take their toll on your light poles. Failure of a pole in any location is not an option!

LSI's Universal Replacement Pole line provides easy to follow instructions to specify and order your replacement pole that will mount directly to your existing anchor bolts & bases.

Features:

- Highly engineered base plate that accommodates the most anchor bolt patterns in the industry
- Accommodates in the field deviations that can occur from bolt pattern to bolt pattern
- Accommodates any lighting fixture manufactures mounting dimensions for non-LSI luminaries
- Poles with standard colors ship within 10 days from point of order
- Poles are manufactured at the LSI facility in Cincinnati, OH
- Duragrip Protection carries 5-year warranty, Duragrip Plus carries extended 7-year warranty
- Special requests for hand holes, outlets, banner arms are supported
- Square, Round, and Round Tapered steel poles up to 39'
- Meet BAA/TAA requirements for Federal and DOD facilities



Mitigate your risk today and contact LSI to be your pole and lighting renovation expert!