



# AirLink™ Blue (ALBC)

## Control Module



### OVERVIEW

Max Load LED	300 watts
Max Load INC	600 watts
Operating Temp	-30 to 122 F
Power Input Ratings	100mA @ 120v; 60 Hz

### QUICK LINKS

### FEATURES & SPECIFICATIONS

The AirLink Blue control module provides multi-level control based on external motion and/or daylight sensor inputs. Controls 0-10 VDC LED drivers and is rated for cold and wet locations. Control parameters are adjustable via an iOS App. The addition of an AirLink Blue Time Keeper adds the ability to schedule multiple events based on time of day or Astronomical clock.

#### Construction

Bluetooth Mesh radio pairs with iOS applications for initial system setup and subsequent adjustments or changes.

- Housing is white polycarbonate
- Settings are stored and maintained in the event of a power failure

#### Electrical

- Class 2 device with a 0-10V configurable dimming output
- Operates on 12-24 VDC from either a 120-277V power pack or auxiliary output driver
- 12-24 VDC input voltage current consumption 100mA

#### Controls

Range (Module and antenna inside fixture)

- Phone to fixture 80 feet
- Fixture to fixture 100 feet

#### Installation

- Designed for installation on the interior of a luminaire housing.

- Rated for use in 32° F to 113°F (0°C to 45°C) environments.

#### Warranty

- 5-year limited warranty. Refer to <https://www.lsicorp.com/resources/termsconditions-warranty/> for more information.

#### Listings

- FCC
- Bluetooth
- UL

### ORDERING GUIDE

#### TYPICAL ORDER EXAMPLE: ALBC

Prefix	Description
ALBC	AirLink Blue Control Module

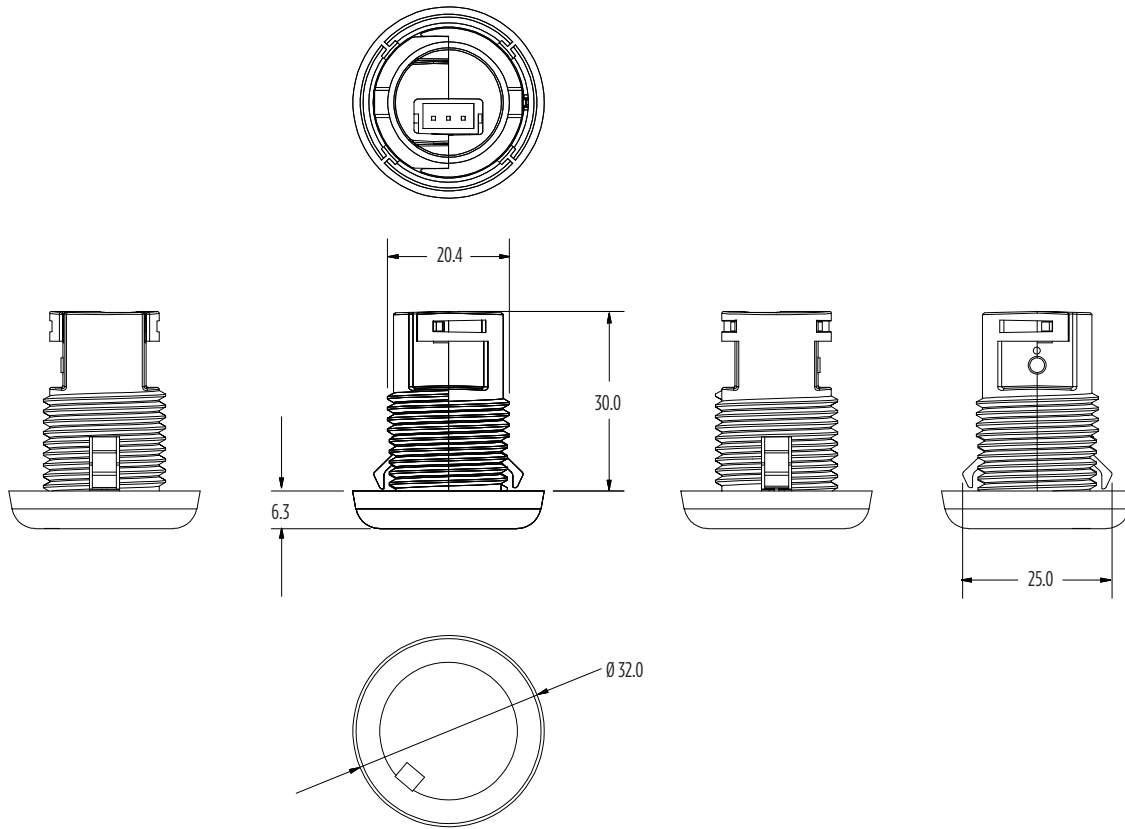


Need more information?  
Click here for our glossary

Have additional questions?  
Call us at (800) 436-7800



## PRODUCT DIMENSIONS



## WIRING

