

## **ZONE INDIRECT INSTALLATION INSTRUCTIONS**

### **WARNING! RISK OF FIRE OR ELECTRICAL SHOCK**

**WARNING! RISK OF FIRE OR ELECTRICAL SHOCK**  
Disconnect power before installing or servicing.

**WARNING:** Risk of fire or electrical shock. Luminaire wiring, power supply, or other electrical parts may be damaged when drilling for installation of retrofit assembly hardware. Inspect wiring and components for damage.

**WARNING:** Risk of fire or electric shock. Do not alter, relocate, or remove wiring, lampholders, power supply or any other electrical component if not instructed to.

**WARNING:** Risk of fire or electric shock. Installation of this retrofit assembly requires a person familiar with the construction and operation of the luminaire's electrical system and the hazards involved. If not qualified do not attempt installation. Contact a qualified electrician.

**WARNING:** Risk of fire or electrical shock. Install this kit only in the luminaires that have the construction features and dimensions shown on the drawings.

-Only those open holes indicated in the drawings may be made or altered as a result of kit installation. Do not leave any other open holes in an enclosure of wiring or electrical components.

-Verify that supply wiring voltage matches power supply voltage by comparing it with power supply label.

-Make all electrical and grounded connections in accordance with the National Electric Code (NEC) and any other applicable local code requirements.

### **CAUTION: RISK OF INJURY.**

- Wear gloves and safety glasses at all times when removing luminaire from carton, installing , servicing or performing maintenance.
- Allow lamp/luminaire/driver to cool before handling.

**NOTICE: RISK OF PRODUCT DAMAGE-** Failure to follow instructions could result in damage to product and void ALL warranties.

-Never connect components under load.

-Do NOT mount or support these fixtures in a manner that can cut the outer jacket or damage wire insulation.

-Do NOT restrict fixture ventilation. Allow for some volume of airspace around fixture. Avoid covering LED fixtures with insulation, foam, or other material that will prevent convection of conduction cooling.



Installation questions?  
Call LSI Field Service Department at:  
1-800-436-7800 Ext. 3300 Fax 877-861-1368

## ZONE INDIRECT INSTALLATION INSTRUCTIONS

### WIRING PREPARATION

Warning: Wiring to be performed by qualified electrician! Wire per National Electric and local code.

**IMPORTANT WIRING INFORMATION:** Risk of electric shock!

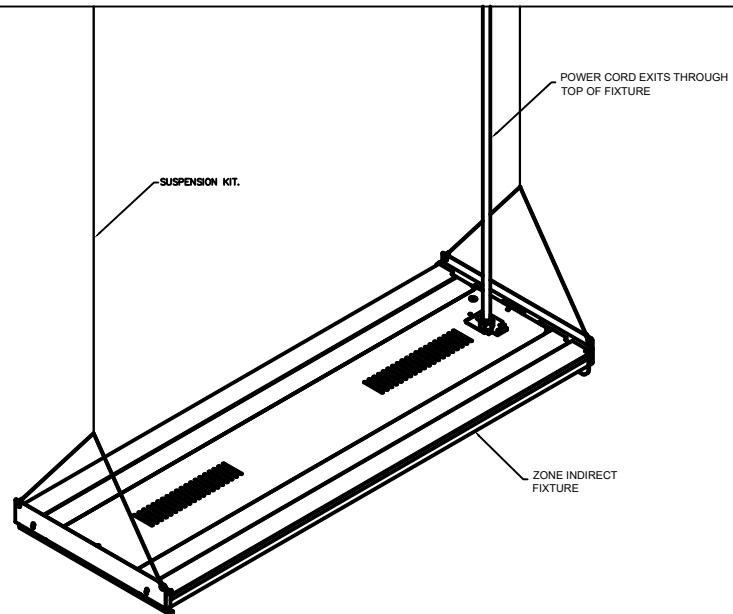
- Make certain supply wiring is not "HOT" before wiring luminaire.
- Make certain supply voltage corresponds to luminaire voltage as marked on label.

### HANGING ASSEMBLY

1. USING ALL (4) TOP END PLATE HOLES, HANG ASSEMBLY USING SUPPLIED SUSPENSION KIT.

2. ELECTRICALLY CONNECT CORD TO J-BOX OR PLUG (NOT INCLUDED)

**WARNING:** BE SURE SUPPLY WIRING VOLTAGE MATCHES FIXTURE VOLTAGE BY COMPARING TO PRODUCT LABEL.



Installation questions?  
Call LSI Field Service Department at:  
1-800-436-7800 Ext. 3300 Fax 877-861-1368

PAGE 2 OF 2  
P# 746968