

FULL SELECTABLE & FIXED LED TROFFER RETROFIT KIT



INSTALLATION INSTRUCTIONS
SAVE THESE INSTRUCTIONS



BEFORE YOU BEGIN

Read and follow all safety instructions



WARNING

WARNING: RISK OF FIRE OR ELECTRIC SHOCK. LUMINAIRE WIRING AND ELECTRICAL PARTS MAY BE DAMAGED WHEN DRILLING FOR INSTALLATION OF LED RETROFIT KIT. CHECK FOR ENCLOSED WIRING AND COMPONENTS.

WARNING: RISK OF FIRE OR ELECTRIC SHOCK. LED RETROFIT KIT INSTALLATION REQUIRES KNOWLEDGE OF LUMINAIRES ELECTRICAL SYSTEMS. IF NOT QUALIFIED, DO NOT ATTEMPT INSTALLATION. CONTACT A QUALIFIED ELECTRICIAN!

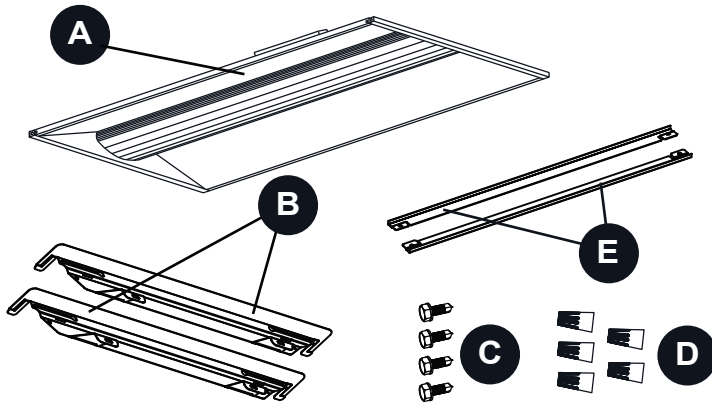
WARNING: RISK OF FIRE OR ELECTRIC SHOCK. INSTALL THIS KIT ONLY IN LUMINAIRES THAT HAVE CONSTRUCTION FEATURES AND DIMENSIONS SHOWN IN THE PHOTOGRAPHS AND OR DRAWINGS WHERE THE INPUT RATING OF THE RETROFIT KIT DOES NOT EXCEED THE INPUT RATING OF THE LUMINAIRE.

WARNING: TO PREVENT WIRING DAMAGE OR ABRASION, DO NOT EXPOSE WIRING TO SHARP OBJECTS.

DO NOT MAKE OR ALTER ANY OPEN HOLES IN AN ENCLOSURE OF WIRING OR ELECTRICAL COMPONENTS DURING KIT INSTALLATION.

THIS RETROFIT KIT IS ACCEPTED AS A COMPONENT OF THE LUMINAIRE WHERE THE SUITABILITY OF THE COMBINATION SHALL BE DETERMINED BY AUTHORITIES HAVING JURISDICTION. PRODUCT MUST BE INSTALLED BY A QUALIFIED ELECTRICIAN IN ACCORDANCE WITH THE APPLICABLE AND APPROPRIATE ELECTRICAL CODES. THE INSTALLATION GUIDE DOES NOT SUPERSEDE LOCAL OR NATIONAL REGULATIONS FOR ELECTRICAL INSTALLATIONS.

PACKAGE CONTENTS



Part	Item Name	Qty.
A	Retrofit assembly	1
B	Bracket	2
C	Sheet metal screw	4
D	Wire nuts	5
E	Gap channel cover (optional)	2

SAFETY INFORMATION

Please read and understand this entire manual before attempting to assemble, operate or install the product. Failure to do so could lead to electric shock, fire or other injuries that could be hazardous or even fatal.

- Be sure the electricity to the wires you are working on is shut off. Either remove the fuse or turn off the circuit breaker.
- Changes or modifications not expressly approved by the party responsible for compliance could void the user's authority to operate the equipment.

CAUTION:

- This product can only be dimmed with a 0-10 Volt dimming system.

NOTICE

- This device complies with Part 15 of the FCC Rules. Operation is subject to the following two conditions: (1) This device may not cause harmful interference, and (2) this device must accept any interference received, including interference that may cause undesired operation.
- This equipment has been tested and found to comply with the limits for a Class B digital device, pursuant to part 15 of the FCC Rules. These limits are designed to provide reasonable protection against harmful interference in a residential installation. This equipment generates, uses and can radiate radio frequency energy and, if not installed and used in accordance with the instructions, may cause harmful interference to radio or television reception, which can be determined by turning the equipment off and on. The user is encouraged to try to correct the interference by one or more of the following measures:
 - Reorient or relocate the receiving antenna.
 - Increase the separation between the equipment and the receiver.
 - Connect the equipment into an outlet on a circuit different from that to which the receiver is connected.
 - Consult the dealer or an experienced radio/TV technician for help.
- This Class B digital apparatus complies with Canadian ICtES-003.



SAFETY INFORMATION

WARNING

- To prevent wiring damage or abrasion, do not expose wiring to edges of sheet metal or other sharp objects.
- Do not make or alter any open holes in an enclosure of wiring or electrical components during kit installation.
- Verify that supply voltage is correct by comparing it with the luminaire label information.
- All wiring connections should be capped with UL approved wire connectors.
- Minimum 90°C supply conductors.
- Suitable for Damp locations.
- Suitable for Type IC installation.

PREPARATION

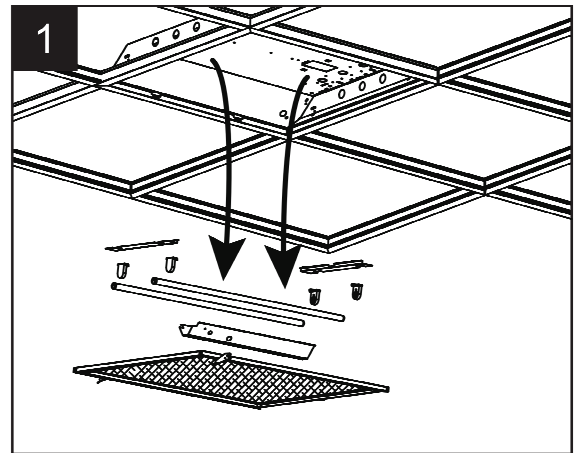
Before beginning assembly of product, make sure all parts are present. Compare parts with package contents list and hardware contents list. If any part is missing or damaged, do not attempt to assemble the product.

Estimated Assembly Time: 20 minutes

INSTALLATION INSTRUCTIONS

1. Ensure that the power to existing fixture has been shut off before proceeding with the installation of this retrofit kit.

Remove from the existing troffer the lens or louver, hinged frame, all fluorescent lamps, wiring/ballast compartment cover, ballast, lampholder sockets and rail.

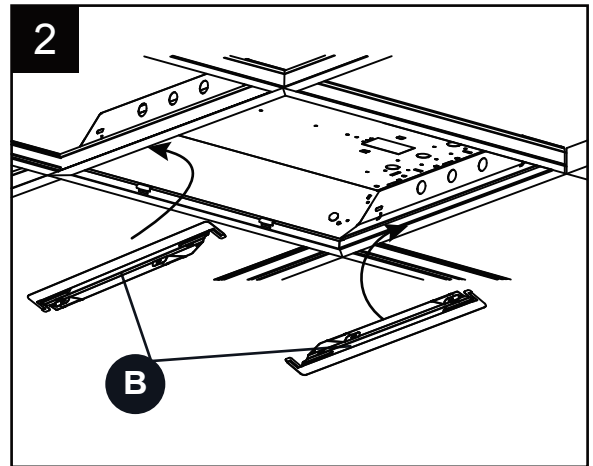


Installation Questions
Call LSI Field Service Dept.
800.436.7600 Fax 877.861.1368

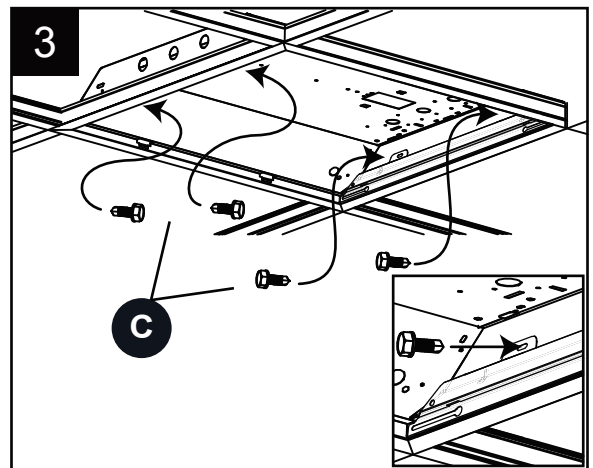


INSTALLATION INSTRUCTIONS

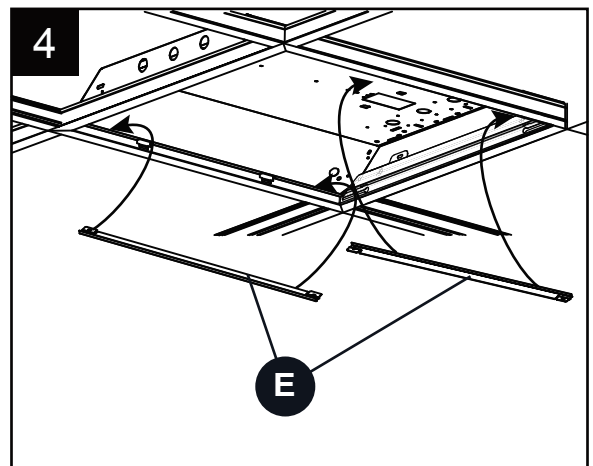
2. Slide the two brackets (B) on each side (2-ft ends) of the existing fixture housing so that the flat base is resting between the existing fixture edge and the drop ceiling T-grid support lip.



3. Using the sheet metal screws (C) provided, drill through the existing housing and secure the two brackets (B) on each side with two screws each with the tabs on each of the brackets (B) as shown.



4. **Optional:** The retrofit kit will leave two gap channels along the length of each side of the fixture and may appear undesirable, especially if the troffer fixture body is not a white surface to match the retrofit color. This gap can be covered by installing the two optional gap channel cover (E) pieces at both sides of the fixture by interlocking the ends to each of the two brackets (B).



Installation Questions
Call LSI Field Service Dept.
800.436.7600 Fax 877.861.1368



INSTALLATION INSTRUCTIONS

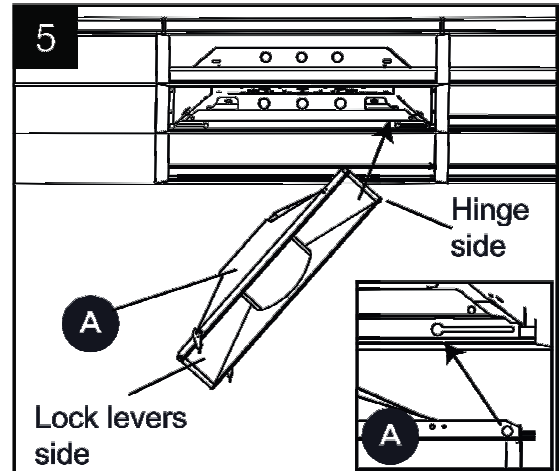
5. Hang the retrofit assembly (A) onto the installed bracket (B) by inserting the hinge pins into the keyhole slots on each of the brackets (B). Slide the hinge pins to the narrow end of the keyhole slots and ensure that the retrofit assembly is secured before releasing the retrofit assembly.

NOTE: POWER & CCT SELECTOR SWITCHES LOCATED ON DRIVER

DRIVER OUTPUT	CCT SETTINGS
1 2 3	1 2 3
□ □ □	□ □ □
1=LOW	1=5000K
2=MED	2=4000K
3=HIGH	3=3500K

TABLE APPLICABLE TO SELECTABLE VARIATIONS ONLY

FACTORY DEFAULT SETTINGS:
DRIVER OUTPUT = LOW
CCT SETTING = 4000K

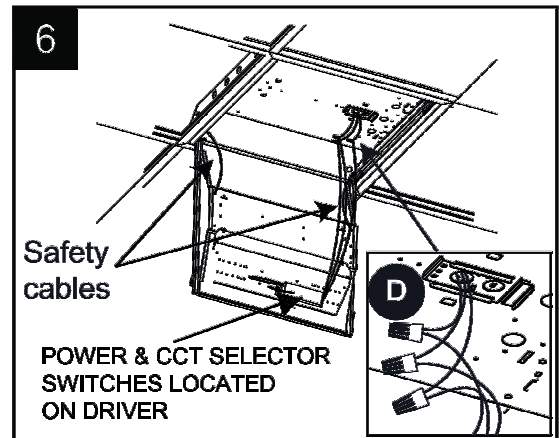


6. Hook the safety cables onto a hook or hole on the fixture housing as a secondary safety support.

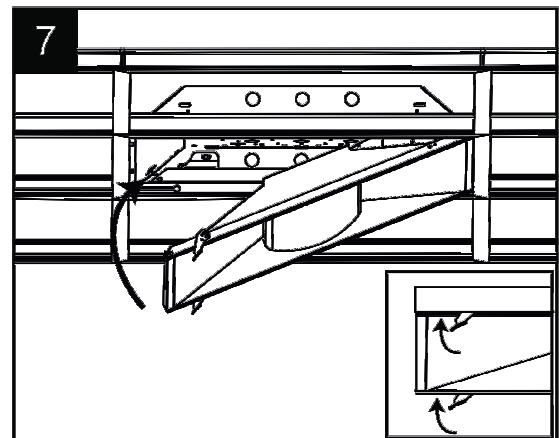
Connect the fixture wires to the supply wires -- black to black, white to white, and green to green/bare.

WARNING: If there is no ground supply wire, stop installation and consult a qualified electrician.

NOTE: If a 0-10v dimming system is available, connect the purple and gray wires to the corresponding purple and gray wires in the building dimming system. If no dimming is required, leave the wires unconnected.



7. Swing the retrofit assembly (A) up into the fixture housing until flush with the ceiling perimeter. Close the two latches on each side and make sure that retrofit assembly is fully secured at both ends before completing installation.



Installation Questions
Call LSI Field Service Dept.
800.436.7600 Fax 877.861.1368



MAINTENANCE AND CARE

Clean with a mild, non-abrasive glass cleaner and soft cloth. Do NOT use solvents or cleaners containing abrasive agents. When cleaning the fixture, make sure the power is turned off, and any liquid spray should be applied to the cleaning cloth and not sprayed directly onto the fixture itself.

TROUBLESHOOTING

Problem	Possible Solution	Corrective Action
Fixture does not light.	<ol style="list-style-type: none">1. Power is off.2. Incorrect wire connection.3. Defective wall switch.	<ol style="list-style-type: none">1. Check circuit breaker or wall switch.2. Check wire splices.3. Replace switch.
Circuit breaker trips when light is turned on.	Crossed wires or power wire is grounded out.	Verify wires are correctly connected.

