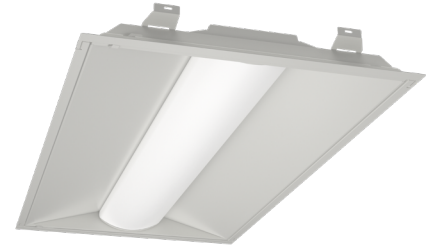




# Troffer Retrofit Kit Gen 2 (TRK)

## Affordable and Efficient - Contractor Friendly



### OVERVIEW

Lumen Package (lm)	2,200 - 10,000
Wattage Range (W)	16 - 72
Efficacy Range (LPW)	139 - 153
Weight lbs (kg)	1x4 - 7.2 (3.3) 2x2 - 7.8 (3.5) 2x4 - 13 (5.9)

### QUICK LINKS

## FEATURES & SPECIFICATIONS

### Construction

- Cold-rolled sheet metal 22 gauge.
- Post-painted for high quality finish.
- Hinge mechanism for quick installation with minimal assembly.
- Acrylic lens material for optimal color stability.
- Operating temperature: 0°C - 40°C (40°F - 104°F).
- 1'x4', 2'x2', 2'x4' form factors.

### Optical System

- LEDs tightly spaced to avoid pixelation.
- Selectable or fixed CCT configurations per ANSI C78.377.
- Diffuse Acrylic cover lens for glare-free, uniform luminance and high visual comfort.
- L70 Calculated Life: >60k hours (See Lumen Maintenance table).

### Electrical

- Class 2 driver features over-voltage, under-voltage, short-circuit and over-temperature protection.
- 0-10V dimming standard.
- Standard Universal Voltage (120-277 VAC) Input 50/60 Hz.
- Selectable or fixed power configurations.
- Power factor (PF): > 0.90.
- Total harmonic distortion (THD): <20%.
- Optional factory integrated or remote battery backup for standby lighting (90min.).

### Controls

- 0-10V dimming standard.
- Compatible with most 0-10V dimmers.
- Available with LSI AirLink® Blue for networked controls.
- See controls table for more information.

### Installation

- Suitable for retrofitting fluorescent troffers.
- Tether cables for secondary retention.

### Warranty

- LSI luminaires carry a 5-year limited warranty. Refer to <https://www.lsicorp.com/resources/terms-conditions-warranty/> for more information.

### Listings

- Listed to UL 1598 and UL 8750.
- DesignLights Consortium® (DLC) qualified product. Not all versions of this product may be DLC qualified. Please check the DLC Qualified Products List at [www.designlights.org/QPL](http://www.designlights.org/QPL) to confirm which versions are qualified.
- Title 24 Compliant; see local ordinance for qualification information.
- Suitable for damp locations.
- TAA Compliant.<sup>1</sup>

<sup>1</sup> Consult factory. Not all TRK meet this requirement.

# Troffer Retrofit Kit Gen 2 (TRK)

Type : \_\_\_\_\_

 **Have questions?** Call us at (800) 436-7800

## ORDERING GUIDE

TYPICAL ORDER EXAMPLE: TRK24 FS1 UNV ALBCSD EM10				
Field Selectable				
Prefix	Lumen Package, Color Temperature / Rendering	Voltage	Controls <sup>2</sup>	Options <sup>2</sup>
TRK14 - Troffer Retrofit Kit 1'X4'	FS1 <sup>1</sup> - 2,400 - 3,000 - 4,200 lumens, 3500K-4000K-5000K, 80 CRI min.	UNV - 120-277VAC Universal Voltage	<b>Blank</b> - None <b>IMS1</b> - Standalone Integral PIR Motion and Daylight sensor <b>ALBCSD</b> - Integral AirLink Blue Wireless Motion and Daylight Harvesting Sensor <b>ALBC</b> - Integral AirLink Blue Controller <b>WSCS</b> - Wattstopper LMFS-601 integrated wireless PIR motion/daylight sensor <b>AVC</b> - Avi-on LVFA integrated wireless controller single channel <b>AVCM</b> - Avi-on IFA integrated wireless controller 5 Amp 120-277VAC <b>ENLD</b> - Enlighted integrated wireless motion and daylight sensor <b>ENLDM</b> - Enlighted integrated wireless motion and daylight sensor with integrated controller <b>ENLD2</b> - Enlighted integrated wireless motion and daylight sensor with 2-wire adaptor for DALI drivers	<b>Blank</b> - None <b>EM10</b> - 10W Factory-integrated Battery Backup
TRK22 - Troffer Retrofit Kit 2'X2'	FS1 <sup>1</sup> - 2,400 - 3,000 - 4,200 lumens, 3500K-4000K-5000K, 80 CRI min.			
TRK24 - Troffer Retrofit Kit 2'X4'	FS1 <sup>1</sup> - 3,200 - 4,200 - 4,900 lumens, 3500K-4000K-5000K, 80 CRI min.			

TYPICAL ORDER EXAMPLE: TRK24 80L UNV 840 ALBCSD EM10					
Fixed Output <sup>2</sup>					
Prefix	Lumen Package	Voltage	Color Rendering/Temperature	Controls <sup>2</sup>	Options <sup>2</sup>
TRK14 - Troffer Retrofit Kit 1'X4'	60L - 6,000 lumens	UNV - 120-277VAC Universal Voltage	<b>835</b> - 3500K, 80CRI min. <b>840</b> - 4000K, 80CRI min. <b>850</b> - 5000K, 80CRI min.	<b>Blank</b> - None <b>IMS1</b> - Standalone Integral PIR Motion and Daylight sensor <b>ALBCSD</b> - Integral AirLink Blue Wireless Motion and Daylight Harvesting Sensor <b>ALBC</b> - Integral AirLink Blue Controller <b>WSCS</b> - Wattstopper LMFS-601 integrated wireless PIR motion/daylight sensor <b>AVC</b> - Avi-on LVFA integrated wireless controller single channel <b>AVCM</b> - Avi-on IFA integrated wireless controller 5 Amp 120-277VAC <b>ENLD</b> - Enlighted integrated wireless motion and daylight sensor <b>ENLDM</b> - Enlighted integrated wireless motion and daylight sensor with integrated controller <b>ENLD2</b> - Enlighted integrated wireless motion and daylight sensor with 2-wire adaptor for DALI drivers	<b>Blank</b> - None <b>EM10</b> - 10W Factory-integrated Battery Backup
TRK22 - Troffer Retrofit Kit 2'X2'	60L - 6,000 lumens				
TRK24 - Troffer Retrofit Kit 2'X4'	42L <sup>1</sup> - 4,200 lumens 60L - 6,000 lumens 80L - 8,000 lumens 100L - 10,000 lumens				



**Need more information?**  
[Click here for our glossary.](#)

**Have additional questions?**  
 Call us at (800) 436-7800



*Note:* Consult factory regarding projects that may require CCTs or lumen packages that are not listed in the ordering guide.

### ACCESSORY ORDERING INFORMATION

Part Number	Order Number	Description
786277	EM8RMK	8W Battery Backup 120-277VAC Grid Mount Kit
778196	EM8RB	8W Remote Mount Battery

### CONTROLS ORDERING INFORMATION<sup>2</sup>

Part Number	Order Number	Description
755249	ALBC 5A	5A Circuit Controller
755248	ALBC 5A OS1	5A Circuit Controller w/ Ceiling-mount Motion & Daylight Harvesting Sensor 9ft. Mounting Height
755245	ALBC 5A OS2	5A Circuit Controller w/ Ceiling-mount Motion & Daylight Harvesting Sensor 40ft. Mounting Height
760580	ALBCM DHS	AirLink Blue Daylight Harvesting Sensor
760380	ALBCM	AirLink Blue Ceiling Mount Motion Sensor
754823	ALBWS E02B WH	AirLink Blue Two Button Kinetic Switch
754824	ALBWS E04B WH	AirLink Blue Four Button Kinetic Switch
741967	ALBTK	AirLink Blue Time Keeper

<sup>1</sup> Quick Ship SKU.

<sup>2</sup> Extended lead times may apply. 5000K SKUs are not DLC(R) listed. Consult factory.

# Troffer Retrofit Kit Gen 2 (TRK)

Type: \_\_\_\_\_

 Have questions? Call us at (800) 436-7800

## PERFORMANCE

Delivered Lumens								
Lumen Package	CRI	3500K		4000K		5000K		Wattage
		Delivered Lumens	Efficacy	Delivered Lumens	Efficacy	Delivered Lumens	Efficacy	
<b>Field Selectable Output</b>								
TRK14-FS1-UNV	80	4268	136	4445	146	4456	142	31
TRK14-FS1-UNV	80	3183	144	3316	150	3322	151	22
TRK14-FS1-UNV	80	2344	146	2442	150	2447	153	16
TRK22-FS1-UNV	80	4151	136	4322	145	4320	141	31
TRK22-FS1-UNV	80	3089	140	3218	148	3210	146	22
TRK22-FS1-UNV	80	2249	140	2370	148	2332	145	16
TRK24-FS1-UNV	80	4681	143	4823	151	4872	149	34
TRK24-FS1-UNV	80	3935	140	4057	152	4097	146	28
TRK24-FS1-UNV	80	3143	142	3241	152	3273	148	22
<b>Fixed Output</b>								
TRK14-60L-UNV-XXX	80	5605	128	5891	139	5891	139	43
TRK22-60L-UNV-XXX	80	5605	128	5891	139	5891	139	43
TRK24-42L-UNV-XXX	80	3867	143	4101	150	4101	150	27
TRK24-60L-UNV-XXX	80	5689	142	6033	149	6033	149	40
TRK24-80L-UNV-XXX	80	7640	139	8102	147	8102	147	55
TRK24-100L-UNV-XXX	80	9451	130	10014	144	10014	144	72

1 LED Chips are frequently updated therefore values are nominal.  
 2 Extended lead times may apply. 5000K SKUs are not DLC(R) listed. Consult factory.  
 3 Consult factory for CCTs and lumen packages that are not listed.

# Troffer Retrofit Kit Gen 2 (TRK)

Type : \_\_\_\_\_

 Have questions? Call us at (800) 436-7800

## PERFORMANCE

Electrical Data (Amps)					
Lumen Package	Wattage	120V	208V	240V	277V
<b>Field Selectable Output</b>					
TRK14-FS1-UNV	31	0.26	0.15	0.13	0.11
TRK14-FS1-UNV	22	0.18	0.11	0.09	0.08
TRK14-FS1-UNV	16	0.13	0.08	0.07	0.06
TRK22-FS1-UNV	31	0.26	0.15	0.13	0.11
TRK22-FS1-UNV	22	0.18	0.11	0.09	0.08
TRK22-FS1-UNV	16	0.13	0.08	0.07	0.06
TRK24-FS1-UNV	34	0.28	0.16	0.14	0.12
TRK24-FS1-UNV	28	0.23	0.13	0.12	0.10
TRK24-FS1-UNV	22	0.18	0.11	0.09	0.08
<b>Fixed Output</b>					
TRK14-60L-UNV-XXX	43	0.36	0.21	0.18	0.16
TRK22-60L-UNV-XXX	43	0.36	0.21	0.18	0.16
TRK24-42L-UNV-XXX	28	0.23	0.13	0.12	0.10
TRK24-60L-UNV-XXX	40	0.33	0.19	0.17	0.14
TRK24-80L-UNV-XXX	55	0.46	0.26	0.23	0.20
TRK24-100L-UNV-XXX	72	0.60	0.35	0.30	0.26

\*Electrical data at 25C (77F). Actual wattage may differ by +/-10%.

Recommended Lumen Maintenance - TRK Field Selectable					
Ambient Temperature °C	Initial <sup>2</sup>	25K hrs. <sup>2</sup>	50K hrs. <sup>2</sup>	75K hrs. <sup>3</sup>	100K hrs. <sup>3</sup>
0	100%	98%	95%	93%	91%
10	100%	98%	95%	93%	91%
20	100%	98%	95%	93%	91%
25	100%	98%	95%	93%	91%
30	99%	97%	95%	93%	90%
40 <sup>1</sup>	99%	96%	94%	91%	88%

Recommended Lumen Maintenance - TRK 60L-100L Fixed Output					
Ambient Temperature °C	Initial <sup>2</sup>	25K hrs. <sup>2</sup>	50K hrs. <sup>2</sup>	75K hrs. <sup>3</sup>	100K hrs. <sup>3</sup>
0	100%	98%	95%	93%	91%
10	100%	98%	95%	93%	91%
20	100%	98%	95%	93%	91%
25	100%	97%	94%	92%	89%
30	99%	96%	94%	91%	88%
40 <sup>1</sup>	99%	96%	92%	89%	86%

1 Lumen maintenance values at 40C are calculated per TM-21 based on LM-80 data and in-situ testing.

2 In accordance with IESNA TM-21-11, Projected Values represent interpolated value based on time durations that are within six times the IESNA LM-80-08 total test duration for the device under testing.

3 In accordance with IESNA TM-21-11, Calculated Values represent time durations that exceed six times the IESNA LM-80-08 total test duration for the device under testing.

## PHOTOMETRICS

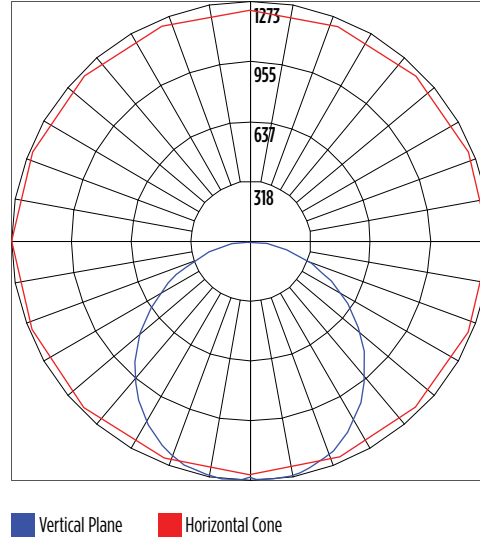
Luminaire photometry has been conducted by a NVLAP accredited testing laboratory in accordance with IESNA LM-79-08. As specified by IESNA LM-79-08 the entire luminaire is tested as the source resulting in a luminaire efficiency of 100%.

See the individual product page on <https://www.lsicorp.com/> for detailed photometric data.

### TRK24-42L-UNV-840

Zonal Lumen Summary		
Zone	Lumens	% Luminaire
0-20	465.6	11.4
0-30	1,001.7	24.4
0-40	1,662.6	40.6
0-60	3,034.0	74.1
0-80	3,968.6	96.9
0-90	4,097.2	100.0
10-90	3,978.0	97.1
20-40	1,197.0	29.2
20-50	1,901.7	46.4
40-70	1,927.3	47.0
60-80	934.6	22.8
70-80	378.7	9.2
80-90	128.6	3.1
0-180	4,097.2	100.0
0-180	3,917.6	100.0%

**Polar Curve**

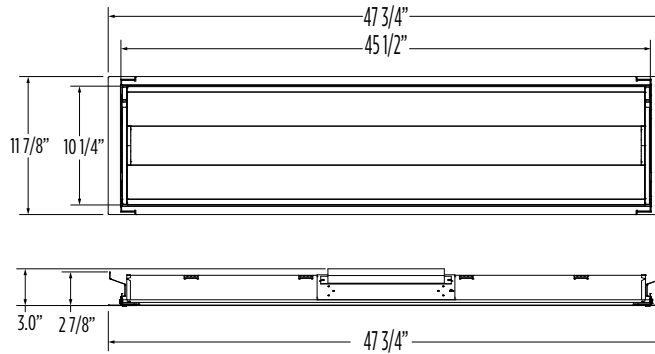


# Troffer Retrofit Kit Gen 2 (TRK)

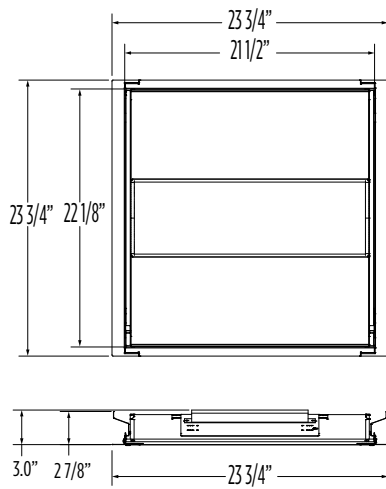
Type: \_\_\_\_\_

 **Have questions?** Call us at (800) 436-7800

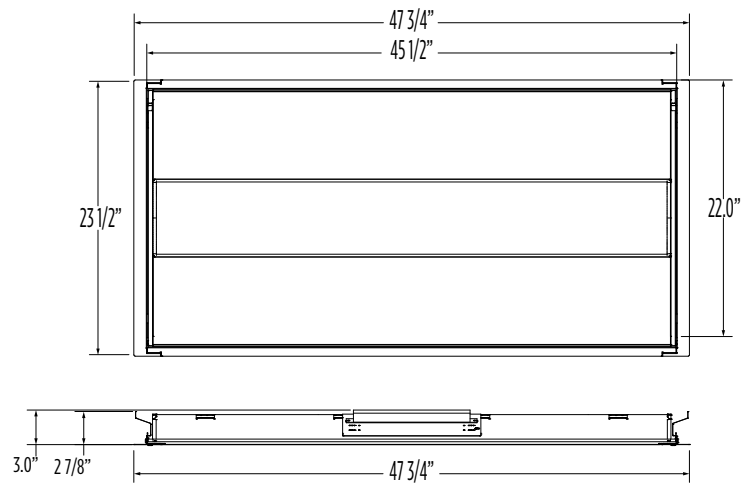
## PRODUCT DIMENSIONS



**TRK14**



**TRK22**



**TRK24**