

Catalog # :

Project :

Prepared By :

Date :



# TLWP Series Large LED Wall Pack



LSI LED wall lights utilize glare free LED placement and reflector technology. These fixtures produce a smoother and whiter light resulting in more footcandles on the ground, making it the best choice when replacing traditional HID wall packs.

## Features & Specifications

### Optical System

- Lens assembly is designed to provide high efficiency and to target the light where needed to satisfy outdoor lighting requirements.
- Positioning of the LEDs result in the light being directed to desired locations eliminating glare and offensive light.
- Minimum CRI of 80

### Electrical

- High-performance driver features over-voltage, under voltage, short-circuit and over temperature protection.
- 0-10 volt dimming (10% - 100%) standard.
- Standard Universal Voltage (120-277 Vac) Input 50/60 Hz
- L70 Calculated Life: >100k Hours
- Total harmonic distortion: <20%
- Power factor: >.85
- Input power stays constant over life.
- Driver Off-State Power is 0 watts.
- Components are fully encased in potting material for moisture resistance. Driver complies with FCC standards. Driver and key electronic components can easily be accessed.
- Minimum 4kV surge rating

### Controls

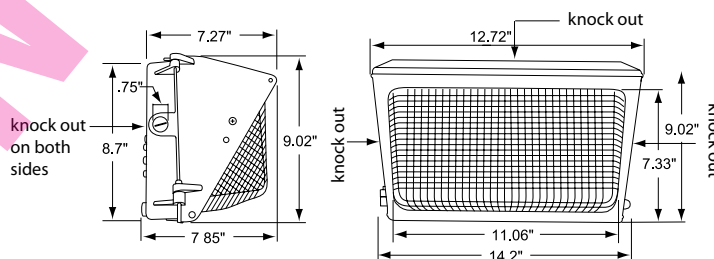
- Optional electronic button Photocontrol.
- Apertures for field or factory installed photocontrol.
- Optional 120v-277v integral emergency battery pack is available to meet critical life safety lighting requirements. The 90-minute batteries provide constant power to the LED system, ensuring code compliance. A test switch/indicator button is installed on the housing for ease of maintenance.

### Construction

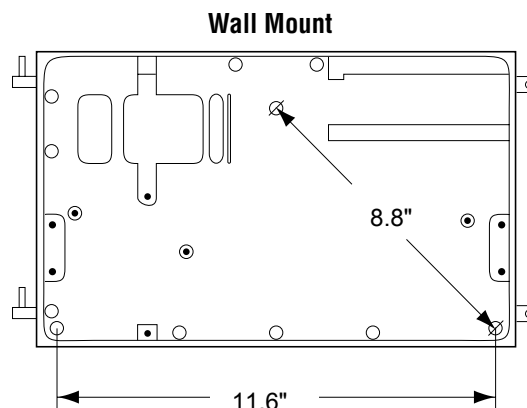
- Rugged traditional aluminum die cast housing provides proven environmental protection for LED modules.
- Traditional fixture design provides a familiar look and standard installation requirements.
- Retaining this look allows the ability to upgrade fixtures gradually, while retaining the same overall fixture appearance throughout a facility.



## Dimensions Design is Protected by US Patent 9,482,395



## Mounting Detail





# TLWP Series Large LED Wall Pack

## Features & Specifications (Cont.)

- Patent pending thermal stacking technology system features a unique internal design that allows for lower operating temperatures which results in a brighter, whiter light, more stable color and longer LED and driver life.
- LSI LEDs provide higher lumen output, greater energy efficiency and more reliable fixture performance.
- LEDs manufactured for the TMWP series utilize Epoxy Guard conformal coating which reduces the chance of board corrosion.
- Weight: 9.25 lbs in carton

### Controls

- Optional electronic button Photocontrol.
- Apertures for field or factory installed photocontrol.

### Installation

- Fixture retains the same knock-out sizes and positions as previous models, reducing wiring costs.

### Warranty

- LSI LED Fixtures carry a 5-year warranty.
- 1 Year warranty on optional Button Photocell.
- 1 Year warranty on optional Battery Back Up. Test regularly in accordance with local codes.

### Listings

- Listed to UL 1598 and UL 8750.
- CSA Listed
- RoHS Compliant.
- American Recovery and Reinvestment Act Funding Compliant.
- Suitable For Wet Locations.
- DesignLights Consortium qualified luminaires, eligible for rebates from DLC member utilities.

### Finishes

- Bronze is standard. Consult factory for pricing and lead time for other options.

### Emergency Battery Back Up

- Provides emergency illumination (1,580 lumens) for a minimum of 90 minutes.

## Performance

Lumens	3000K		4000K		5000K		Wattage
	Delivered Lumens	Efficacy	Delivered Lumens	Efficacy	Delivered Lumens	Efficacy	
10L	9669	121.61	9669	121.61	10180	127.86	79.51

## Energy Savings

LED		HID			
Wattage	Annual Cost	Source Wattage	Total Wattage Used	Annual Cost	Annual Savings
80	\$35	200	232	\$128	\$93
		250	285	\$150	\$115
		400	458	\$226	\$191

## DLC Listings

Lumens	3000K	4000K	5000K
	DLC Prod. ID	DLC Prod. ID	DLC Prod. ID
10L	P94H2E3W	PDDGV07J	P0A997KG

DesignLights Consortium qualified luminaires, eligible for rebates from DLC member utilities.

## Luminaire Ordering Guide

TYPICAL ORDER EXAMPLE: **TLWP LED 10L UNV DIM 40 BZA**

Family Prefix	Lumen Package	Voltage	Dimming	Color Temp	Color Rendering	Options	Finishes	Controls
TLWP LED - Large LED Wall Light	10L = 10,000 Lumens	UNV = Universal (120V-277V) HV = 347-480V Universal Voltage	DIM = Dim to 10% (0 to 10V)	30 = 3000K 40 = 4000K 50 = 5000K	Blank = 80 Color Rendering Index	CWBB = Cold Weather Emergency Battery Back Up	BZA = Bronze WHT = White BLK = Black	PC120 - 120V Button Photocontrol PC208-277 - 208-277V Photocontrol