



LED TRADITIONAL MEDIUM FLOODS (SFLM)



CONSTRUCTION: Precision die-cast aluminum housing with stainless steel hardware, tempered borosilicate glass lens.

LEDs: Select High-performance COB LEDs. Color temperature available in 5000K and 4000K

CRI: Reference below Technical / Lumen Output chart

ELECTRICAL: Universal Voltage (120-277V, 50/60 Hz) input. 10Kv surge protection standard. **DIMMING:** 0-10 volt dimming, standard

OPERATING TEMPERATURE: -35° through 40°C (-31° through 104°F)

PHOTOCELL: 120-277 photocell standard with cover.

DISTRIBUTION: Highly specular forward throw reflector

PHOTOMETRICS: Please visit our web site at www.lsi-industries.com for detailed photometric data

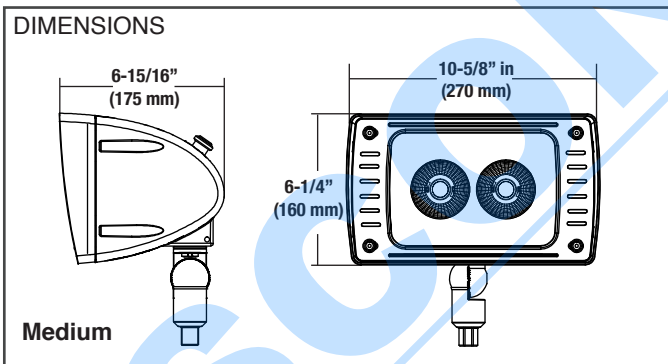
FINISH: Chip and fade resistant powder coat finish

INSTALLATION: Luminaire easily mounts via Slipfitter, Knuckle or Yoke. 1/2" knuckle standard.

EXPECTED LIFE: Minimum 50,000 hours

WARRANTY: Limited 5-year warranty

LISTING: UL listed to U.S. and Canadian safety standards. Suitable for wet locations. For a list of the specific products in this series that are DLC listed, please consult the LED Lighting section of our website or the Design Lights website at www.designlights.org



TECHNICAL INFORMATION

SFLM	PL1	
Color Temperature	4000K	5000K
System Wattage	40w	40w
Replaces	150w HID	150w HID
Lumens	4397 lms	4733 lms
Lumens Per Watt	113 lpw	119 lpw
CRI	70	70
Dimensions (Inches)	10.62" x 6.31" x 6.90"	
Weight	8.81 lbs.	
E.P.A.	.39	



IP66
lighting facts
A Program of the U.S. DOE



LED TRADITIONAL MEDIUM FLOODS (SFLM)

LUMINAIRE ORDERING INFORMATION

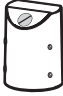
TYPICAL ORDER EXAMPLE: **SFLM WF LED PL1 50 UE BRZ PD**

Prefix	Distribution	Light Source	Drive Current	Color Temperature	Input Voltage	Finish ¹	Controls	Standard
SFLM (LED Medium Flood)	WF	LED	PL1 - Performance level 1	40 - 4000K 50 - 5000K	UE - Universal Voltage (120-277V)	BRZ - Bronze	PD - Photocell Dimming	1/2" Knuckle

1. Black, white and specialty finishes available. Consult factory for prices and lead time.

ACCESSORY ORDERING INFORMATION (Accessories are field installed)	
Description	Order Number
Yoke Mount	625767
PT - Post Top Adaptor	122542BRZ

POST TOP ADAPTOR (PT) - One-piece cast aluminum - mounts on pole with 2" pipe tenon (2-3/8" OD x 3-1/2" minimum length) or 2-1/2" pipe tenon (2-7/8" OD x 3-1/2" minimum length). Fixture threads into adaptor and attaches to pole with allen set screws. Post Top Adaptor allows mounting of one or two fixtures and 360° horizontal adjustment. Available in standard finishes



NEMA Type	Field Angle Degree Range
0	<10
1	10 - 18
2	18 - 29
3	29-48
4	46 - 70
5	70 - 100
6	100 - 130
7	130 - up

SFLM Photometric Technical Summary and Comparison									
Catalog Number	NEMA Type	Field Angle		Beam Angle		Max CD	Lumens	Watts	LPW
		H°	V°	H°	V°				
SFLM-WF-LED-PL1-40	6 H X 6 V	121.8	123.3	83.4	95.3	2,632	4,832	40	121
SFLM-WF-LED-PL1-50	6 H X 6 V	121.8	123.3	83.4	95.3	2,445	4,489	39	115

LED Chips are frequently updated therefore values may increase.



IP66

lighting facts
A Program of the IES, IESNA

Project Name _____ Fixture Type _____ Cat# _____