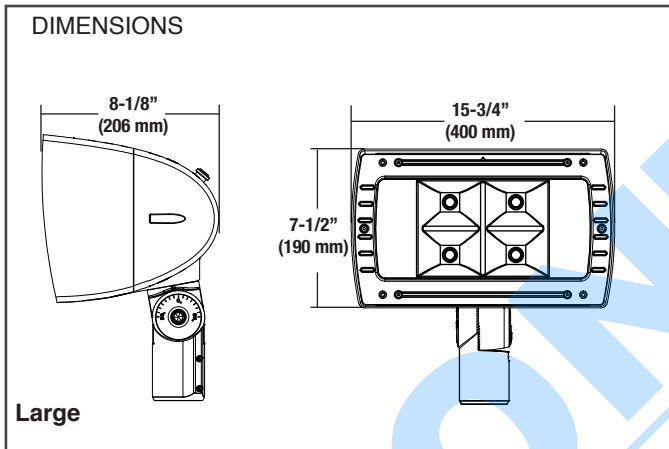




LED TRADITIONAL LARGE FLOODS (SFLL)



Slipfitter Standard



CONSTRUCTION: Precision die-cast aluminum housing with stainless steel hardware, tempered borosilicate glass lens.

LEDs: Select High-performance COB LEDs. Color temperature available in 5000K and 4000K

CRI: Reference below Technical / Lumen Output chart

ELECTRICAL: Universal Voltage (120-277V, 50/60 Hz) input. 10Kv surge protection standard.

DIMMING: 0-10 volt dimming, standard

OPERATING TEMPERATURE: -35° through 40°C (-31° through 104°F)

PHOTOCELL: 120-277 photocell standard with cover.

DISTRIBUTION: Highly specular forward throw reflector

FINISH: Chip and fade resistant powder coat finish

PHOTOMETRICS: Please visit our web site at www.lsi-industries.com for detailed photometric data

INSTALLATION: Luminaire easily mounts via Slipfitter or Yoke. Slipfitter is standard.

WARRANTY: Limited 5-year warranty

LISTING: UL listed to U.S. and Canadian safety standards. Suitable for wet locations. For a list of the specific products in this series that are DLC listed, please consult the LED Lighting section of our website or the Design Lights website at www.designlights.org

TECHNICAL INFORMATION

SFLL	PL1		PL2	
	Color Temperature	4000K	5000K	4000K
System Wattage	114w	114w	153w	151w
Replaces	320w		400w	
Lumens	11,717 lms	11,929 lms	15,514 lms	16,157 lms
Lumens Per Watt	103 lpw	106 lpw	101 lpw	107 lpw
CRI	70			
Dimensions (Inches)	15.72" x 9.47" x 9.98"			
Weight	26.43 lbs.			
E.P.A.	1.30			





LED TRADITIONAL LARGE FLOODS (SFL)

LUMINAIRE ORDERING INFORMATION

TYPICAL ORDER EXAMPLE: **SFLL WF LED PL1 50 UE BRZ PD**

Prefix	Distribution	Light Source	Drive Current	Color Temperature	Input Voltage	Finish ¹	Controls	Standard
SFLL (LED Large Flood)	WF	LED	PL1 - Performance Level 1 PL2 - Performance Level 2	40 - 4000K 50 - 5000K	UE - Universal Voltage (120-277V)	BRZ - Bronze	PD - Photocell Dimming	Blank - Slipfitter (2 3/8" Tenon)

FOOTNOTES

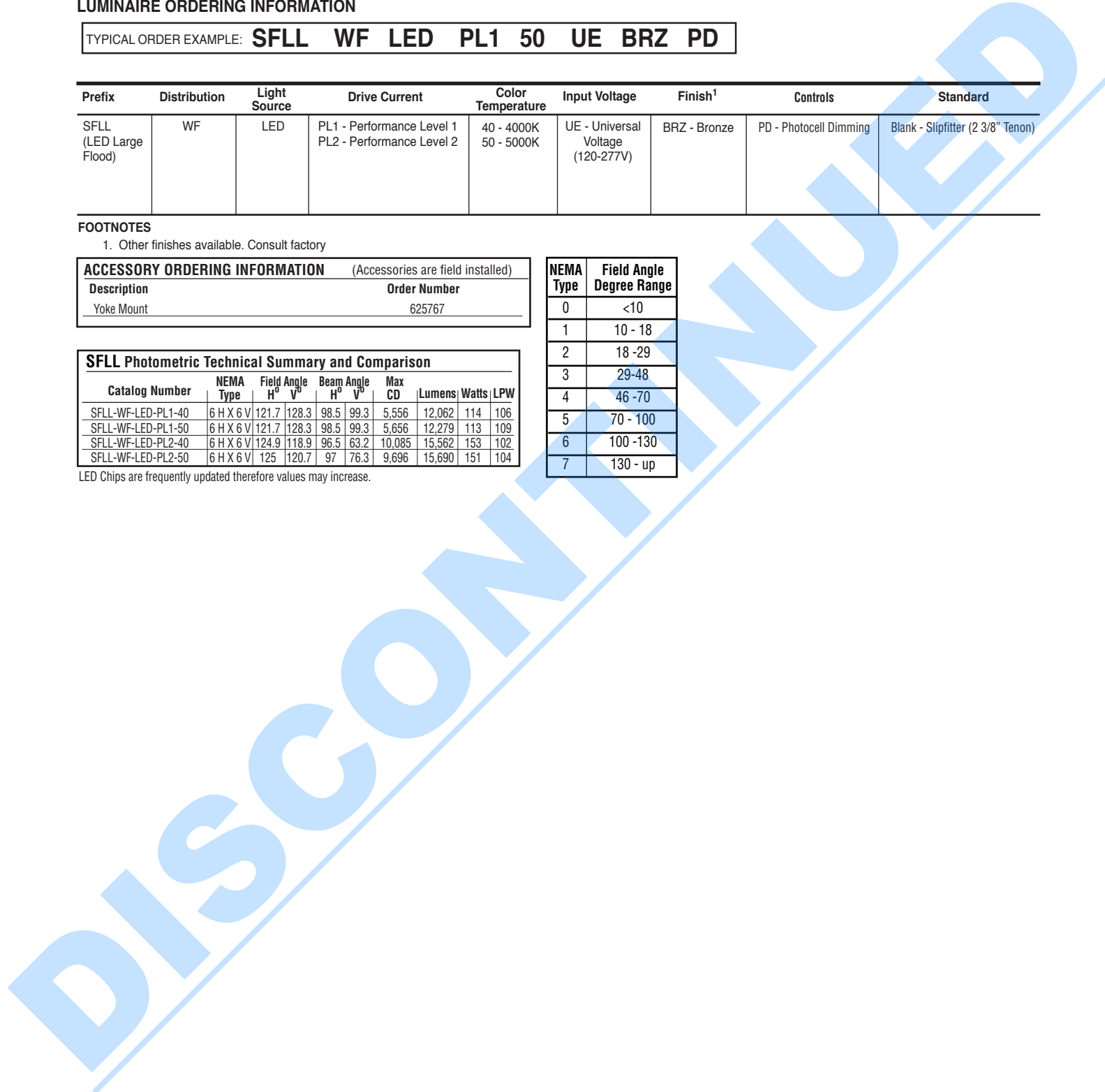
1. Other finishes available. Consult factory

ACCESSORY ORDERING INFORMATION (Accessories are field installed)	
Description	Order Number
Yoke Mount	625767

NEMA Type	Field Angle Degree Range
0	<10
1	10 - 18
2	18 -29
3	29-48
4	46 -70
5	70 - 100
6	100 -130
7	130 - up

SFL Photometric Technical Summary and Comparison									
Catalog Number	NEMA Type	Field Angle H° V°		Beam Angle H° V°		Max CD	Lumens	Watts	LPW
SFLL-WF-LED-PL1-40	6 H X 6 V	121.7	128.3	98.5	99.3	5,556	12,062	114	106
SFLL-WF-LED-PL1-50	6 H X 6 V	121.7	128.3	98.5	99.3	5,656	12,279	113	109
SFLL-WF-LED-PL2-40	6 H X 6 V	124.9	118.9	96.5	63.2	10,085	15,562	153	102
SFLL-WF-LED-PL2-50	6 H X 6 V	125	120.7	97	76.3	9,696	15,690	151	104

LED Chips are frequently updated therefore values may increase.



Project Name _____ | Fixture Type _____ | Cat# _____