

Installation and Assembly Instructions Opulence Side Arm (OPS) Series



⚠ WARNING

Risk of fire, electric shock, injury or property damage

Risk of electric shock--Disconnect power to equipment before installing or servicing.
This equipment must be installed according to all applicable codes & ordinances.
Installation and service of this equipment must be performed by qualified service personnel.
Do not install damaged equipment.
Read these instructions before installing, servicing or maintaining this equipment.
Save these instructions for maintaining and servicing.

⚠ CAUTION

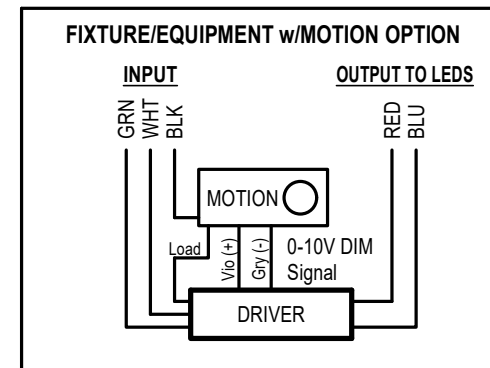
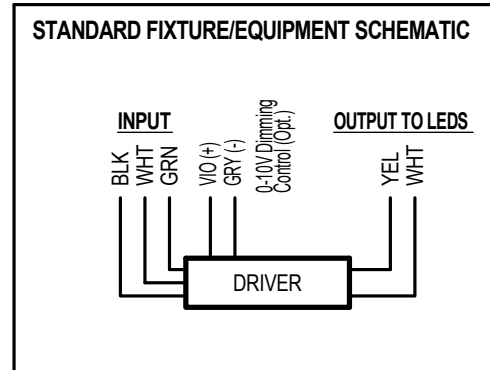
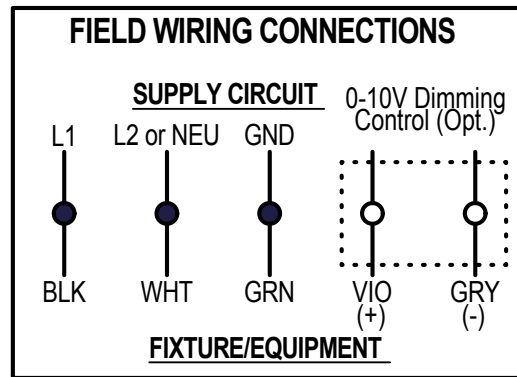
Failure to follow instructions or altering equipment could result in damage and void warranty.
Edges may cut--wear gloves while handling or servicing this equipment.
Inspect equipment for damage from shipping and handling.

LUMINAIRE INSPECTION

1. Remove the luminaire from the carton and inspect luminaire for damage. Do not install a damaged luminaire.

WIRING INFORMATION

Red Wire is for Battery Back-Up option. Connect to 120-277V un-switched power source otherwise cap off wire if option wasn't ordered.

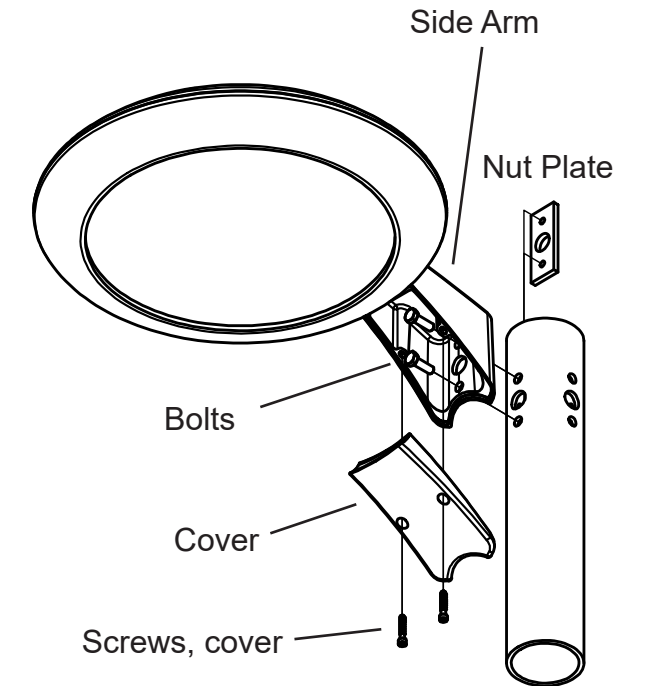


Integral Bluetooth Motion and Photocell Sensor Option – IMSBT
The sensor configuration app is available for both iOS and Android devices. Search the APP Store for LSI sensor configuration and download. It is used to set up a password, change default settings and testing. If no password is set within 7 days of the sensor being powered up it will need to be reset. For complete details download the LSI Sensor Config App User Guide <https://www.lsi-industries.com>

Installation and Assembly Instructions Opulence Side Arm (OPS) Series

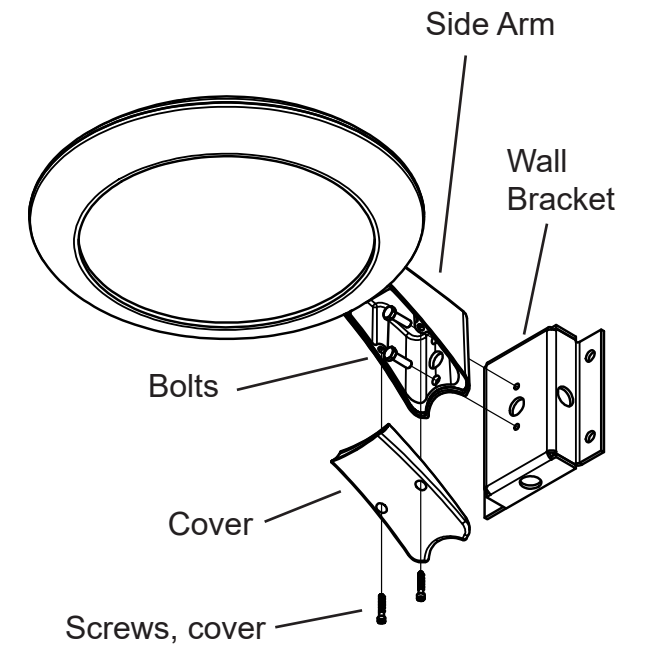
Luminaire Preparation and Mounting to Pole

1. Verify the luminaire optic type (2, 3W, 5Q, FT, etc.) agrees with site lighting plan for the specific pole location.
2. Open Luminaire Arm compartment by loosening Cover screws. *Mounting hardware is located in luminaire Arm compartment.*
3. Fasten luminaire to pole per the figure below. Tighten fasteners to 25 ft/lbs.
4. Route wires through center hole and grommet into driver compartment and make wiring connections.



Luminaire Preparation and Mounting to Wall

1. Verify the luminaire optic type (2, 3W, 5Q, FT, etc.) agrees with site lighting plan for the specific pole location.
2. Open Luminaire Arm compartment by loosening Cover screws. *Mounting hardware is located in luminaire Arm compartment.*
3. Guide wiring through Wall Bracket center hole and attach Wall Bracket to Wall with fasteners by others.
4. Guide wiring through hole in Side Arm and attach luminaire to Wall Plate per the figure. Tighten fasteners to 25 ft/lbs.
5. Make wiring connections.



Installation Questions
Call LSI Field Service Dept.
800-436-7800 ext. 3300