



# Opulence Post Top (Zero Uplight)

## Outdoor Decorative Post Top



OVERVIEW	
Lumen Package (lm)	3,000 - 14,000
Wattage Range (W)	20 - 100
Efficacy Range (LPW)	112 - 146
Weight lbs (kg)	25.0 (11.3)

### QUICK LINKS

## FEATURES & SPECIFICATIONS

### Construction

- Rugged die-cast aluminum housing.
- Fixtures are finished with LSI's DuraGrip® polyester powder coat finishing process. The DuraGrip finish withstands extreme weather changes without cracking or peeling. Other standard LSI finishes available. Consult factory.

### Optical System

- High density LED optical system delivers industry leading optical performance and visual comfort.
- 7 distribution types 3W, 4F, 5Q, 5C, 5R, 5D & AD
- Diffused lens version provides maximum visual comfort with reduced brightness and LED pixelization
- Available in 5000K, 4000K, 3500K, 3000K and 2700K color temperatures per ANSI C78.377. Also available in Phosphor Converted Amber with Peak intensity at 610nm.
- Minimum CRI of 80
- External Shield available for field installation (see accessory ordering information and dimensions for details).

### Electrical

- High-performance driver features overvoltage, under-voltage, short-circuit and over temperature protection (6kV surge standard).
- 0-10V dimming driver (optional extended leads).

- Standard Universal Voltage (120-277 VAC) Input 50/60 Hz or optional High Voltage (347-480 VAC).
- Total harmonic distortion (THD): <20%
- Operating temperature: -40°C to +40°C (-40°F to +104°F).
- Power factor (PF): >.90
- Input power stays constant over life.
- Field replaceable 10kV surge protection device meets a minimum Category C Low operation (per ANSI/IEEE C62.41.2).
- Driver is fully encased in potting material for moisture resistance and complies with FCC standards. Driver and key electronic components can easily be accessed.

### Controls

- Integral passive infrared Bluetooth™ motion and photocell sensor options. Fixtures operate independently and can be commissioned via an iOS or Android configuration app.
- LSI's AirLink™ Blue lighting control system is a simple feature rich wireless Bluetooth mesh network. The integrated fixture sensor module provides wireless control of grouped fixtures based on motion sensors, daylight or a fully customizable schedule. Updates and modifications to the control strategy are easily implemented via an intuitive iOS app.

### Installation

- Designed to mount directly to a 2 3/8" - 3" outer diameter tenon (4" tall).
- Optional flush mount accessory slips inside the top of a 4" round pole for a virtually seamless transition from pole to luminaire.

### Warranty

- LSI luminaires carry a 5-year limited warranty. Refer to <https://www.lsicorp.com/resources/terms-conditions-warranty/> for more information.

### Listings

- Listed to UL 1598 and UL 8750.
- Meets Buy American Act requirements.
- IDA compliant; with 3000K and warmer color temperature selection.
- Title 24 Compliant; see local ordinance for qualification information.
- Suitable for wet locations.
- IP66 rated Luminaire per IEC 60598-1.
- 3G rated for ANSI C136.31 high vibration applications.
- DesignLights Consortium® (DLC) Premium qualified product. Not all versions of this product may be DLC Premium qualified. Please check the DLC Qualified Products List at [www.designlights.org/QPL](http://www.designlights.org/QPL) to confirm which versions are qualified.

# Opulence Post Top (Zero Uplight) Outdoor Decorative Post Top

Type: \_\_\_\_\_

 **Have questions?** Call us at (800) 436-7800

## ORDERING GUIDE

TYPICAL ORDER EXAMPLE: OPS PT 8L 5Q UNV 40K8 BLK ALBCS1							
Prefix	Mounting	Lumen Package <sup>1</sup>	Distribution	Voltage	Color Temperature / Rendering	Finish	Controls
OPS - Opulence Small	PT - Post Top (2.3/8" 3" Tennon)	<b>3L</b> - 3,000 Lumens <b>5L</b> - 5,000 Lumens <b>6L</b> - 6,000 Lumens <b>8L</b> - 8,000 Lumens <b>10L</b> - 10,000 Lumens <b>12L</b> - 12,000 Lumens <b>14L</b> - 14,000 Lumens	<b>5Q</b> - Type 5 Square <b>5C</b> - Type 5 Concentrated <b>5R</b> - Type 5 Rectangular <b>3W</b> - Type 3 (Wide Throw) <b>4F</b> - Type 4 (Forward Throw) <b>5D</b> - Type 5 Diffused <b>AD</b> - Asymmetric Diffused	<b>UNV</b> - Universal Voltage (120-277V) <b>HV</b> - High Voltage (347-480V)	<b>27K8</b> - 2700K / 80 CRI <b>30K8</b> - 3000K / 80 CRI <b>35K8</b> - 3500K / 80 CRI <b>40K8</b> - 4000K / 80 CRI <b>50K8</b> - 5000K / 80 CRI <b>AMB</b> - Phosphor Converted Amber <sup>2</sup>	<b>BLK</b> - Black <b>BRZ</b> - Dark Bronze <b>GMG</b> - Gun Metal Gray <b>GPT</b> - Graphite <b>MSV</b> - Metallic Silver <b>PLP</b> - Platinum Plus <b>WHT</b> - White	<b>Blank</b> - None <b>ALBCS1</b> - AirLink Blue Wireless Motion & Photo Sensor Controller (8-24' mounting height) <b>ALBCS2</b> - AirLink Blue Wireless Motion & Photo Sensor Controller (25-40' mounting height) <b>CR7P</b> - 7 Pin Control Receptacle ANSI C136.41 <sup>3</sup> <b>IMSBT1L</b> - Integral Bluetooth™ Motion and Photocell Sensor (8 - 24' mounting height) <sup>3</sup> <b>IMSBT2L</b> - Integral Bluetooth™ Motion and Photocell Sensor (25 - 40' mounting height) <sup>3</sup> <b>EXT</b> - 0-10v Dimming leads extended to housing exterior



**Need more information?**  
[Click here for our glossary.](#)

**Have additional questions?**  
 Call us at (800) 436-7800



### CONTROLS ACCESSORIES ORDERING INFORMATION<sup>4</sup>

Order Number	Description
<b>122514</b>	Twist Lock Photocell (120V) for use with CR7P
<b>122515</b>	Twist Lock Photocell (208-277) for use with CR7P
<b>122516</b>	Twist Lock Photocell (347V) for use with CR7P
<b>1225180</b>	Twist Lock Photocell (480V) for use with CR7P
<b>661409</b>	AirLink 5 Pin Twist Lock Controller
<b>661410</b>	AirLink 7 Pin Twist Lock Controller
<b>149328</b>	Shorting Cap for use with CR7P

### FUSING ACCESSORIES ORDERING INFORMATION<sup>5</sup>

Order Number	Description
<b>FK120</b>	Single Fusing (120V)
<b>FK277</b>	Single Fusing (277V)
<b>DFK347</b>	Double Fusing (347V)
<b>DFK480</b>	Double Fusing (480V)

### MOUNTING ACCESSORIES ORDERING INFORMATION<sup>6</sup>

Order Number <sup>7</sup>	Description
<b>764420CLR</b>	Internal Flush Mount Adapter for 4" OD Round Pole
<b>761587CLR</b>	Post Top Wall Mount Bracket
<b>761588CLR</b>	D180 Post Top Arm Bracket
<b>694638CLR</b>	Internal Tenon Adapter for 4" Square Pole
<b>694641CLR</b>	Internal Tenon Adapter for 5" Square Pole
<b>694642CLR</b>	Internal Tenon Adapter for 6" Square Pole
<b>483859CLR</b>	Decorative Base Cover (4 / 5" Round Poles)
<b>751632</b>	10' Linear Bird Spike Kit (4' Recommended per Luminaire)
<b>781340</b>	EHS - External Shield (Black Finish Only)

1 120-277V Only. Not available with 14L Lumen Package.

2 Amber LEDs not available in 12L or 14L lumen packages

3 IMSBTxL is field configurable via the Leviton app that can be downloaded from your smartphone's app store.

4 Control device or shorting cap must be ordered separately. See Accessory Ordering Information.


5 Fusing must be located in hand hole of pole.

6 Accessories are shipped separately and field installed.

7 "CLR" to be replaced by paint finish selection. See Finish options for paint color selections.

# Opulence Post Top (Zero Uplight) Outdoor Decorative Post Top

Type : \_\_\_\_\_

 Have questions? Call us at (800) 436-7800

## PERFORMANCE

DELIVERED LUMENS (OPS PT)*																		
Lumen Package	Distribution	CRI	2700K CCT			3000K CCT			3500K CCT			4000K CCT			5000K CCT			Wattage
			Delivered Lumens	Efficacy	BUG Rating	Delivered Lumens	Efficacy	BUG Rating	Delivered Lumens	Efficacy	BUG Rating	Delivered Lumens	Efficacy	BUG Rating	Delivered Lumens	Efficacy	BUG Rating	
3L	5Q	80	2,677	134	B1-U0-G1	2,763	138	B1-U0-G1	2,718	136	B1-U0-G1	2,829	141	B1-U0-G1	2,866	143	B1-U0-G1	20
	5C		2,730	137	B1-U0-G1	2,819	141	B1-U0-G1	2,772	139	B1-U0-G1	2,885	144	B1-U0-G1	2,924	146	B1-U0-G1	
	5R		2,654	133	B1-U0-G1	2,740	137	B1-U0-G1	2,695	135	B1-U0-G1	2,805	140	B1-U0-G1	2,842	142	B1-U0-G1	
	4F		2,604	130	B1-U0-G1	2,689	134	B1-U0-G1	2,645	132	B1-U0-G1	2,753	138	B1-U0-G1	2,789	139	B1-U0-G1	
	3W		2,557	128	B1-U0-G1	2,641	132	B1-U0-G1	2,597	130	B1-U0-G1	2,703	135	B1-U0-G1	2,739	137	B1-U0-G1	
	5D		2,459	123	B1-U0-G1	2,539	127	B1-U0-G1	2,497	125	B1-U0-G1	2,599	130	B1-U0-G1	2,634	132	B1-U0-G1	
	AD		2,461	123	B1-U0-G1	2,541	127	B1-U0-G1	2,499	125	B1-U0-G1	2,601	130	B1-U0-G1	2,635	132	B1-U0-G1	
5L	5Q	80	4,422	130	B2-U0-G1	4,566	134	B2-U0-G1	4,490	132	B2-U0-G1	4,673	137	B2-U0-G1	4,736	139	B2-U0-G1	34
	5C		4,510	133	B2-U0-G1	4,657	137	B2-U0-G1	4,580	135	B2-U0-G1	4,767	140	B2-U0-G1	4,830	142	B2-U0-G1	
	5R		4,385	129	B2-U0-G2	4,527	133	B2-U0-G2	4,453	131	B2-U0-G2	4,634	136	B2-U0-G2	4,696	138	B2-U0-G2	
	4F		4,303	127	B1-U0-G1	4,442	131	B1-U0-G1	4,369	129	B1-U0-G1	4,547	134	B1-U0-G1	4,608	136	B1-U0-G1	
	3W		4,225	124	B1-U0-G1	4,362	128	B1-U0-G1	4,290	126	B1-U0-G1	4,465	131	B1-U0-G1	4,525	133	B1-U0-G1	
	5D		4,062	119	B2-U0-G1	4,194	123	B2-U0-G1	4,125	121	B2-U0-G1	4,293	126	B2-U0-G1	4,350	128	B2-U0-G1	
	AD		4,065	120	B1-U0-G1	4,197	123	B1-U0-G1	4,129	121	B1-U0-G1	4,297	126	B1-U0-G1	4,354	128	B1-U0-G1	
6L	5Q	80	5,240	128	B2-U0-G1	5,411	132	B2-U0-G1	5,322	130	B2-U0-G1	5,538	135	B2-U0-G1	5,612	137	B2-U0-G1	41
	5C		5,345	130	B2-U0-G1	5,518	135	B2-U0-G1	5,428	132	B2-U0-G1	5,649	138	B2-U0-G1	5,724	140	B2-U0-G1	
	5R		5,197	127	B2-U0-G2	5,366	131	B2-U0-G2	5,278	129	B2-U0-G2	5,492	134	B2-U0-G2	5,566	136	B2-U0-G2	
	4F		5,099	124	B1-U0-G1	5,265	128	B1-U0-G1	5,178	126	B1-U0-G1	5,389	131	B1-U0-G1	5,461	133	B1-U0-G1	
	3W		5,007	122	B1-U0-G1	5,169	126	B1-U0-G1	5,085	124	B1-U0-G1	5,292	129	B1-U0-G1	5,362	131	B1-U0-G1	
	5D		4,814	117	B2-U0-G1	4,970	121	B2-U0-G1	4,889	119	B2-U0-G1	5,088	124	B2-U0-G1	5,155	126	B2-U0-G1	
	AD		4,818	118	B1-U0-G1	4,974	121	B1-U0-G1	4,892	119	B1-U0-G1	5,092	124	B1-U0-G1	5,159	126	B1-U0-G1	
8L	5Q	80	7,022	128	B3-U0-G1	7,250	132	B3-U0-G1	7,131	130	B3-U0-G1	7,421	135	B3-U0-G1	7,520	137	B3-U0-G1	55
	5C		7,162	130	B2-U0-G1	7,395	134	B2-U0-G1	7,273	132	B2-U0-G1	7,569	138	B3-U0-G1	7,670	139	B3-U0-G1	
	5R		6,961	127	B3-U0-G3	7,187	131	B3-U0-G3	7,069	129	B3-U0-G3	7,357	134	B3-U0-G3	7,455	136	B3-U0-G3	
	4F		6,833	124	B2-U0-G1	7,055	128	B2-U0-G1	6,939	126	B2-U0-G1	7,221	131	B2-U0-G1	7,317	133	B2-U0-G1	
	3W		6,709	122	B2-U0-G2	6,927	126	B2-U0-G2	6,813	124	B2-U0-G2	7,090	129	B2-U0-G2	7,185	131	B2-U0-G2	
	5D		6,451	117	B2-U0-G1	6,660	121	B2-U0-G1	6,551	119	B2-U0-G1	6,818	124	B2-U0-G1	6,908	126	B2-U0-G1	
	AD		6,456	117	B2-U0-G2	6,666	121	B2-U0-G2	6,556	119	B2-U0-G2	6,823	124	B2-U0-G2	6,913	126	B2-U0-G2	
10L	5Q	80	885	126	B3-U0-G1	9,143	131	B3-U0-G1	8,992	128	B3-U0-G1	9,358	134	B3-U0-G1	9,483	135	B3-U0-G1	70
	5C		9,031	129	B3-U0-G1	9,325	133	B3-U0-G1	9,171	131	B3-U0-G1	9,545	136	B3-U0-G1	9,672	138	B3-U0-G1	
	5R		8,778	125	B3-U0-G3	9,063	129	B3-U0-G3	8,914	127	B3-U0-G3	9,277	133	B3-U0-G3	9,400	134	B3-U0-G3	
	4F		8,616	123	B2-U0-G2	8,896	127	B2-U0-G2	8,750	125	B2-U0-G2	9,106	130	B2-U0-G2	9,227	132	B2-U0-G2	
	3W		8,460	121	B2-U0-G2	8,736	125	B2-U0-G2	8,592	123	B2-U0-G2	8,942	128	B2-U0-G2	9,060	129	B2-U0-G2	
	5D		8,135	116	B3-U0-G2	8,399	120	B3-U0-G2	8,261	118	B3-U0-G2	8,597	123	B3-U0-G2	8,712	124	B3-U0-G2	
	AD		8,141	116	B2-U0-G2	8,406	120	B2-U0-G2	8,267	118	B2-U0-G2	8,604	123	B2-U0-G2	8,718	125	B2-U0-G2	
12L	5Q	80	10,555	124	B3-U0-G1	10,898	128	B3-U0-G1	10,719	126	B3-U0-G1	11,155	131	B3-U0-G1	11,303	133	B3-U0-G1	85
	5C		10,766	127	B3-U0-G1	11,116	131	B3-U0-G1	10,933	129	B3-U0-G1	11,378	134	B3-U0-G1	11,529	136	B3-U0-G1	
	5R		10,464	123	B3-U0-G3	10,804	127	B3-U0-G3	10,626	125	B3-U0-G3	11,059	130	B3-U0-G3	11,206	132	B3-U0-G3	
	4F		10,271	121	B2-U0-G2	10,605	125	B2-U0-G2	10,430	123	B2-U0-G2	10,855	128	B2-U0-G2	10,999	129	B2-U0-G2	
	3W		10,085	119	B2-U0-G2	10,413	123	B2-U0-G2	10,241	120	B2-U0-G2	10,659	125	B2-U0-G2	10,800	127	B2-U0-G2	
	5D		9,697	114	B3-U0-G2	10,012	118	B3-U0-G2	9,847	116	B3-U0-G2	10,248	121	B3-U0-G2	10,384	122	B3-U0-G2	
	AD		9,704	114	B2-U0-G2	10,020	118	B2-U0-G2	9,855	116	B2-U0-G2	10,256	121	B2-U0-G2	10,393	122	B2-U0-G2	
14L	5Q	80	12,203	122	B3-U0-G2	12,600	126	B3-U0-G2	12,392	124	B3-U0-G2	12,897	129	B3-U0-G2	13,068	131	B3-U0-G2	100
	5C		12,446	124	B3-U0-G1	12,851	129	B3-U0-G1	12,640	126	B3-U0-G1	13,154	132	B3-U0-G1	13,329	133	B3-U0-G1	
	5R		12,098	121	B3-U0-G3	12,491	125	B3-U0-G3	12,286	123	B3-U0-G3	12,786	128	B3-U0-G3	12,956	130	B3-U0-G3	
	4F		11,875	119	B2-U0-G2	12,260	123	B2-U0-G2	12,059	121	B2-U0-G2	12,550	125	B2-U0-G2	12,716	127	B2-U0-G2	
	3W		11,659	117	B3-U0-G3	12,038	120	B3-U0-G3	11,840	118	B3-U0-G3	12,322	123	B3-U0-G3	12,486	125	B3-U0-G3	
	5D		11,211	112	B3-U0-G2	11,575	116	B3-U0-G2	11,385	114	B3-U0-G2	11,848	118	B3-U0-G2	12,006	120	B3-U0-G2	
	AD		11,219	112	B2-U0-G2	11,584	116	B2-U0-G2	11,394	114	B2-U0-G2	11,857	119	B2-U0-G2	12,015	120	B3-U0-G2	

Note: LED Chips are frequently updated therefore values are nominal.

# Opulence Post Top (Zero Uplight) Outdoor Decorative Post Top

Type : \_\_\_\_\_

 Have questions? Call us at (800) 436-7800

## PERFORMANCE

Delivered Lumens - PC Amber						
Lumen Package	Distribution	CRI	PC Amber			Wattage
			Delivered Lumens	Efficacy	BUG Rating	
3L	5Q	80	1,921	87	B1-U0-G1	22
	5C		1,960	89	B1-U0-G1	
	5R		1,905	87	B1-U0-G1	
	4F		1,869	85	B1-U0-G1	
	3W		1,836	83	B1-U0-G1	
	5D		1,765	80	B1-U0-G1	
	AD		1,766	80	B1-U0-G1	
5L	5Q	80	3,104	86	B1-U0-G1	36
	5C		3,166	88	B2-U0-G1	
	5R		3,078	86	B2-U0-G2	
	4F		3,021	84	B1-U0-G1	
	3W		2,966	82	B1-U0-G1	
	5D		2,852	79	B1-U0-G1	
	AD		2,854	79	B1-U0-G1	
6L	5Q	80	3,567	83	B2-U0-G1	43
	5C		3,638	85	B2-U0-G1	
	5R		3,537	82	B2-U0-G2	
	4F		3,470	81	B1-U0-G1	
	3W		3,408	79	B1-U0-G1	
	5D		3,276	76	B1-U0-G1	
	AD		3,279	76	B1-U0-G1	
8L	5Q	80	4,822	82	B2-U0-G1	59
	5C		4,918	83	B2-U0-G1	
	5R		4,780	81	B2-U0-G2	
	4F		4,692	80	B1-U0-G1	
	3W		4,607	78	B1-U0-G1	
	5D		4,430	75	B2-U0-G1	
	AD		4,433	75	B1-U0-G1	
10L	5Q	80	5,879	79	B2-U0-G1	74
	5C		5,996	81	B2-U0-G1	
	5R		5,827	79	B3-U0-G3	
	4F		5,720	77	B2-U0-G1	
	3W		5,617	76	B2-U0-G2	
	5D		5,401	73	B2-U0-G1	
	AD		5,405	73	B2-U0-G1	

**Note:** LED Chips are frequently updated therefore values are nominal.

# Opulence Post Top (Zero Uplight) Outdoor Decorative Post Top

Type: \_\_\_\_\_

 Have questions? Call us at (800) 436-7800

## PERFORMANCE

Electrical Data (Amps) <sup>1</sup>							
Lumen Package	Wattage	120V	208V	240V	277V	347V	480V
3L	20	0.17	0.1	0.08	0.07	0.06	0.04
5L	34	0.29	0.16	0.14	0.12	0.1	0.07
6L	41	0.35	0.2	0.17	0.15	0.12	0.09
8L	55	0.46	0.26	0.23	0.2	0.16	0.11
10L	70	0.59	0.34	0.29	0.25	0.2	0.15
12L	85	0.84	0.48	0.42	0.36	0.29	0.21
14L	100	0.84	0.48	0.42	0.36	0.29	0.21

Electrical Data (Amps) PC Amber <sup>1</sup>							
Lumen Package	Wattage	120V	208V	240V	277V	347V	480V
3L	22	0.18	0.11	0.09	0.08	0.06	0.05
5L	36	0.30	0.17	0.15	0.13	0.10	0.08
6L	43	0.36	0.21	0.18	0.16	0.12	0.09
8L	59	0.49	0.28	0.25	0.21	0.17	0.12
10L	74	0.62	0.36	0.31	0.27	0.21	0.15

Recommended Lumen Maintenance - OPS PT 10L <sup>2</sup>					
Ambient Temperature °C	Initial <sup>3</sup>	25K hrs. <sup>3</sup>	50K hrs. <sup>3</sup>	75K hrs. <sup>4</sup>	100K hrs. <sup>4</sup>
0-40	102%	99%	96%	93%	90%

<sup>1</sup> Electrical data at 25C (77F). Actual wattage may differ by +/-10%.

<sup>2</sup> Lumen maintenance values are calculated per TM-21 based on LM-80 data and in-situ luminaire testing.

<sup>3</sup> In accordance with IESNA TM-21-11, Projected Values represent interpolated value based on time durations that are within six times (6X) the IESNA LM-80-08 total test duration (in hours) for the device under testing (DUT) i.e. the packaged LED chip).

<sup>4</sup> In accordance with IESNA TM-21-11, Calculated Values represent time durations that exceed six times NA LM-80-08 total test duration (in hours) for the device under testing (DUT) i.e. the packaged LED chip).

# Opulence Post Top (Zero Uplight) Outdoor Decorative Post Top

Type : \_\_\_\_\_

 Have questions? Call us at (800) 436-7800

## PHOTOMETRICS

Luminaire photometry has been conducted by a NVLAP accredited testing laboratory in accordance with IESNA LM-79-08. As specified by IESNA LM-79-08 the entire luminaire is tested as the source resulting in a luminaire efficiency of 100%.

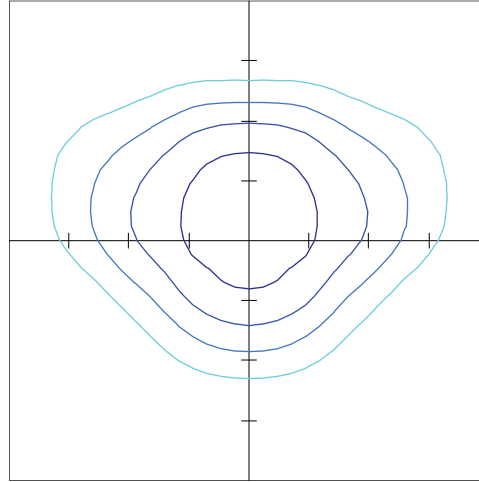
See the individual product page on <https://www.lsicorp.com/> for detailed photometric data.

### OPS-PT-14L-3W-40K8

Luminaire Data	
<b>Wide Distribution</b>	
Description	4000 Kelvin, 80 CRI
Delivered Lumens	12,322
Watts	100
Efficacy	123
IES Type	Type III - Very Short
BUG Rating	B3-U0-G3

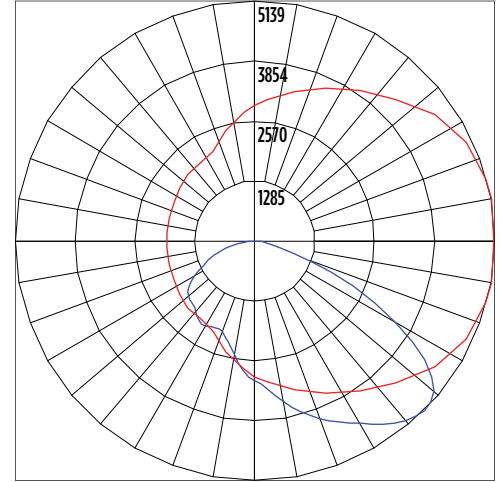
Zonal Lumen Summary		
Zone	Lumens	% Luminaire
Low (0-30°)	2,005	16%
Medium (30-60°)	6,474	53%
High (60-80°)	3,555	29%
Very High (80-90°)	302	2%
Uplight (90-180°)	0	0%
<b>Total Flux</b>	<b>12,322</b>	<b>100%</b>

#### ISO Footcandle



15' Mounting Height / 15' Grid Spacing  
 5 FC 2 FC 1 FC 0.5 FC

#### Polar Curve



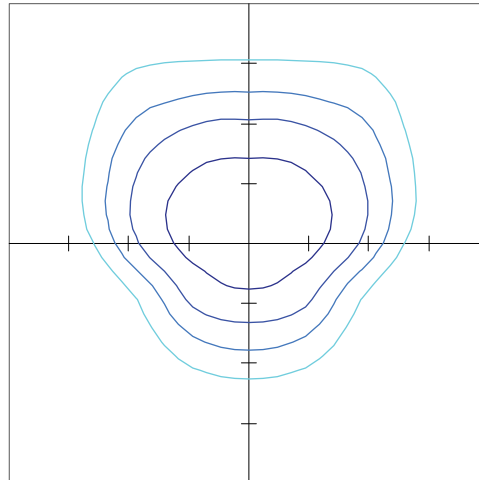
Vertical Plane Horizontal Cone

### OPS-PT-14L-4F-40K8

Luminaire Data	
<b>Wide Distribution</b>	
Description	4000 Kelvin, 80 CRI
Delivered Lumens	12,555
Watts	100
Efficacy	125
IES Type	Type IV - Very Short
BUG Rating	B2-U0-G2

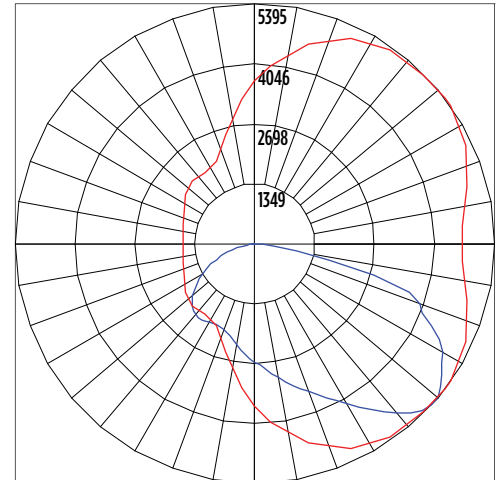
Zonal Lumen Summary		
Zone	Lumens	% Luminaire
Low (0-30°)	1,900	15%
Medium (30-60°)	7,040	56%
High (60-80°)	3,386	27%
Very High (80-90°)	225	2%
Uplight (90-180°)	0	0%
<b>Total Flux</b>	<b>12,555</b>	<b>100%</b>

#### ISO Footcandle



15' Mounting Height / 15' Grid Spacing  
 5 FC 2 FC 1 FC 0.5 FC

#### Polar Curve



Vertical Plane Horizontal Cone

# Opulence Post Top (Zero Uplight) Outdoor Decorative Post Top

Type : \_\_\_\_\_

 Have questions? Call us at (800) 436-7800

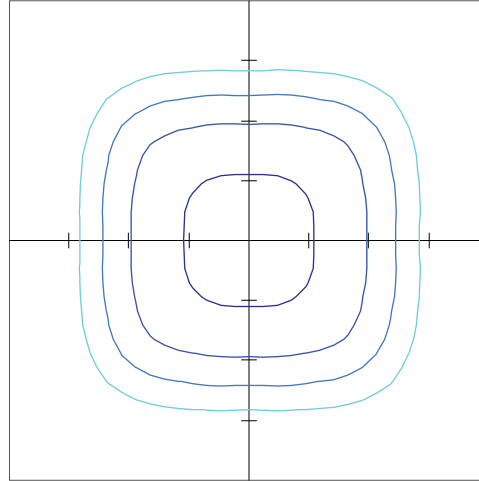
## PHOTOMETRICS

### OPS-PT-14L-5Q-40K8

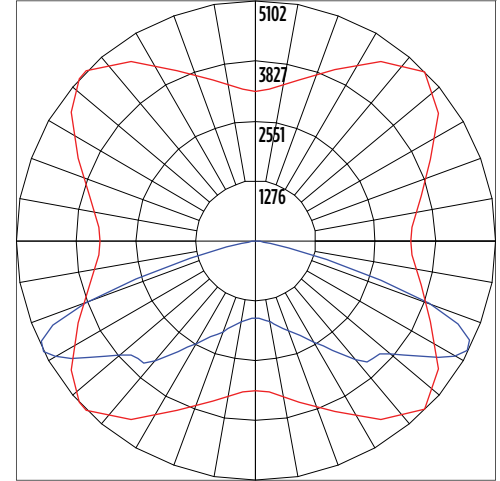
Luminaire Data	
Wide Distribution	
Description	4000 Kelvin, 80 CRI
Delivered Lumens	12,897
Watts	100
Efficacy	129
IES Type	Type VS - Short
BUG Rating	B3-U0-G2

Zonal Lumen Summary		
Zone	Lumens	% Luminaire
Low (0-30°)	1,472	11%
Medium (30-60°)	7,284	57%
High (60-80°)	3,972	31%
Very High (80-90°)	183	1%
Uplight (90-180°)	0	0%
<b>Total Flux</b>	<b>12,897</b>	<b>100%</b>

### ISO Footcandle



### Polar Curve

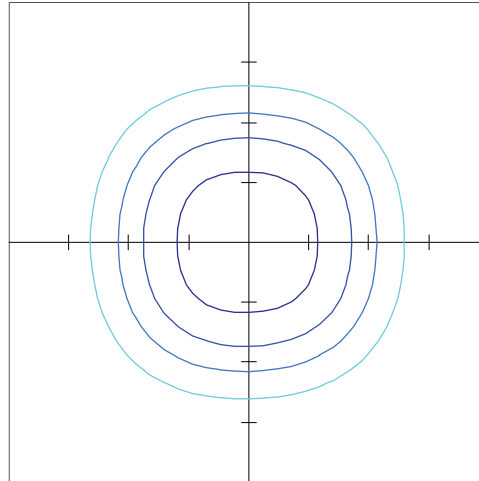


### OPS-PT-14L-5D-40K8

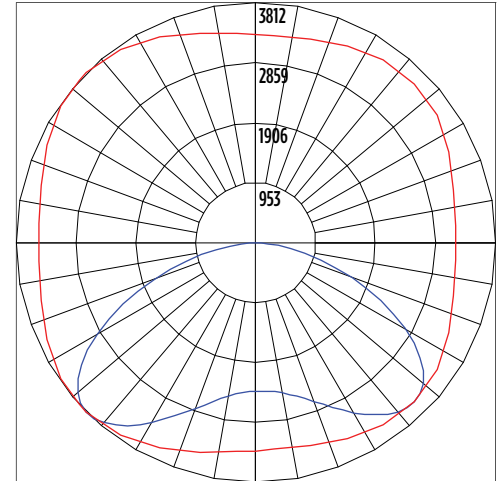
Luminaire Data	
Wide Distribution	
Description	4000 Kelvin, 80 CRI
Delivered Lumens	11,848
Watts	100
Efficacy	118
IES Type	Type VS - Very Short
BUG Rating	B3-U0-G2

Zonal Lumen Summary		
Zone	Lumens	% Luminaire
Low (0-30°)	1,817	15%
Medium (30-60°)	6,781	57%
High (60-80°)	2,960	25%
Very High (80-90°)	304	3%
Uplight (90-180°)	0	0%
<b>Total Flux</b>	<b>11,848</b>	<b>100%</b>

### ISO Footcandle



### Polar Curve



# Opulence Post Top (Zero Uplight) Outdoor Decorative Post Top

Type: \_\_\_\_\_

 Have questions? Call us at (800) 436-7800

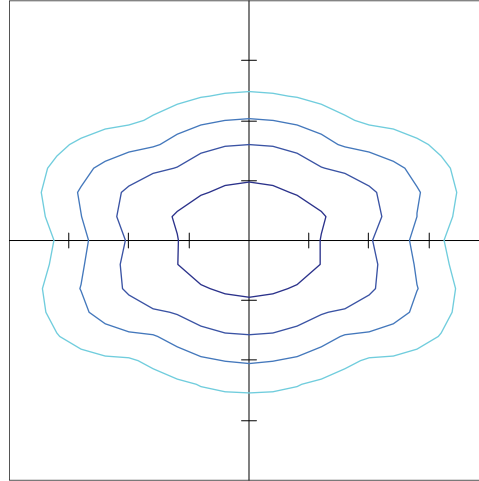
## PHOTOMETRICS

### OPS-PT-14L-5R-40K8

Luminaire Data	
Wide Distribution	
Description	4,000 Kelvin, 80 CRI
Delivered Lumens	12,786
Watts	100
Efficacy	128
IES Type	Type VS - Short
BUG Rating	B3-U0-G3

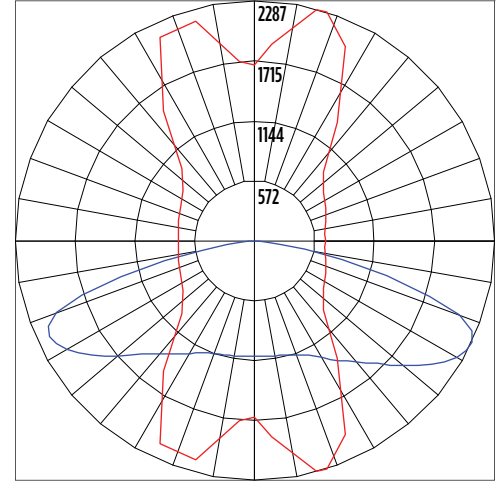
Zonal Lumen Summary		
Zone	Lumens	% Luminaire
Low (0-30°)	1,716	13%
Medium (30-60°)	6,409	50%
High (60-80°)	4,399	34%
Very High (80-90°)	262	2%
Uplight (90-180°)	0	0%
<b>Total Flux</b>	<b>12,786</b>	<b>100%</b>

ISO Footcandle



10' Mounting Height / 10' Grid Spacing  
 5 FC 2 FC 1 FC 0.5 FC

Polar Curve



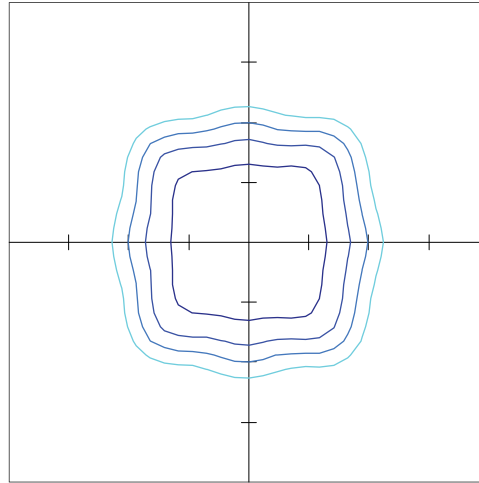
Vertical Plane Horizontal Cone

### OPS-PT-14L-5C-40K8

Luminaire Data	
Wide Distribution	
Description	4000 Kelvin, 80 CRI
Delivered Lumens	13,154
Watts	100
Efficacy	132
IES Type	Type VS - Very Short
BUG Rating	B3-U0-G1

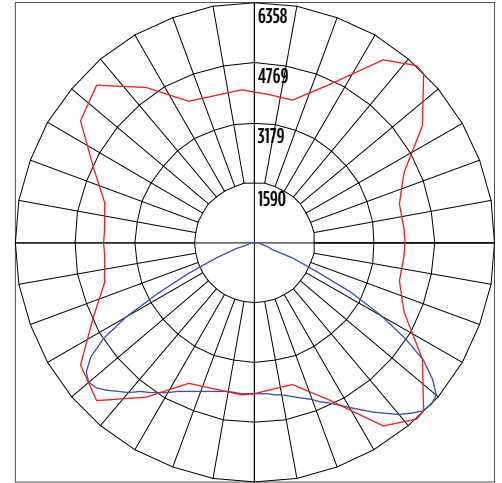
Zonal Lumen Summary		
Zone	Lumens	% Luminaire
Low (0-30°)	2,771	21%
Medium (30-60°)	8,838	67%
High (60-80°)	1,415	11%
Very High (80-90°)	146	1%
Uplight (90-180°)	0	0%
<b>Total Flux</b>	<b>13,154</b>	<b>100%</b>

ISO Footcandle



10' Mounting Height / 10' Grid Spacing  
 5 FC 2 FC 1 FC 0.5 FC

Polar Curve



Vertical Plane Horizontal Cone



# Opulence Post Top (Zero Uplight) Outdoor Decorative Post Top

Type: \_\_\_\_\_

 Have questions? Call us at (800) 436-7800

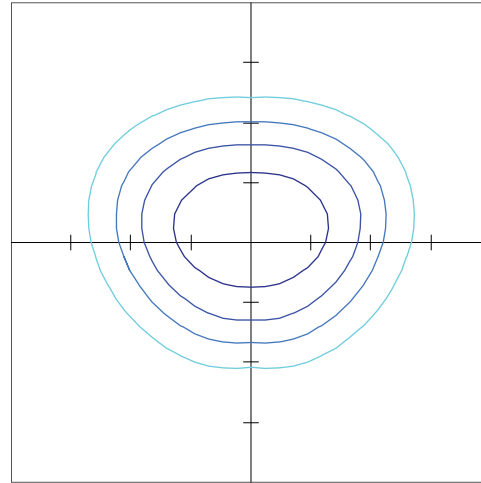
## PHOTOMETRICS

### OPS-PT-14L-AD-40K8

Luminaire Data	
Wide Distribution	
Description	4000 Kelvin, 80 CRI
Delivered Lumens	11,857
Watts	100
Efficacy	119
IES Type	Type II - Very Short
BUG Rating	B2-U0-G2

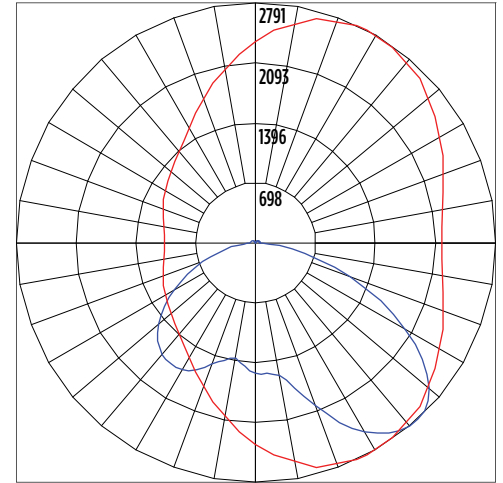
Zonal Lumen Summary		
Zone	Lumens	% Luminaire
Low (0-30°)	2,376	20%
Medium (30-60°)	6,708	57%
High (60-80°)	2,522	21%
Very High (80-90°)	265	2%
Uplight (90-180°)	0	0%
<b>Total Flux</b>	<b>11,857</b>	<b>100%</b>

ISO Footcandle



15' Mounting Height / 15' Grid Spacing  
 ■ 5 FC ■ 2 FC ■ 1 FC ■ 0.5 FC

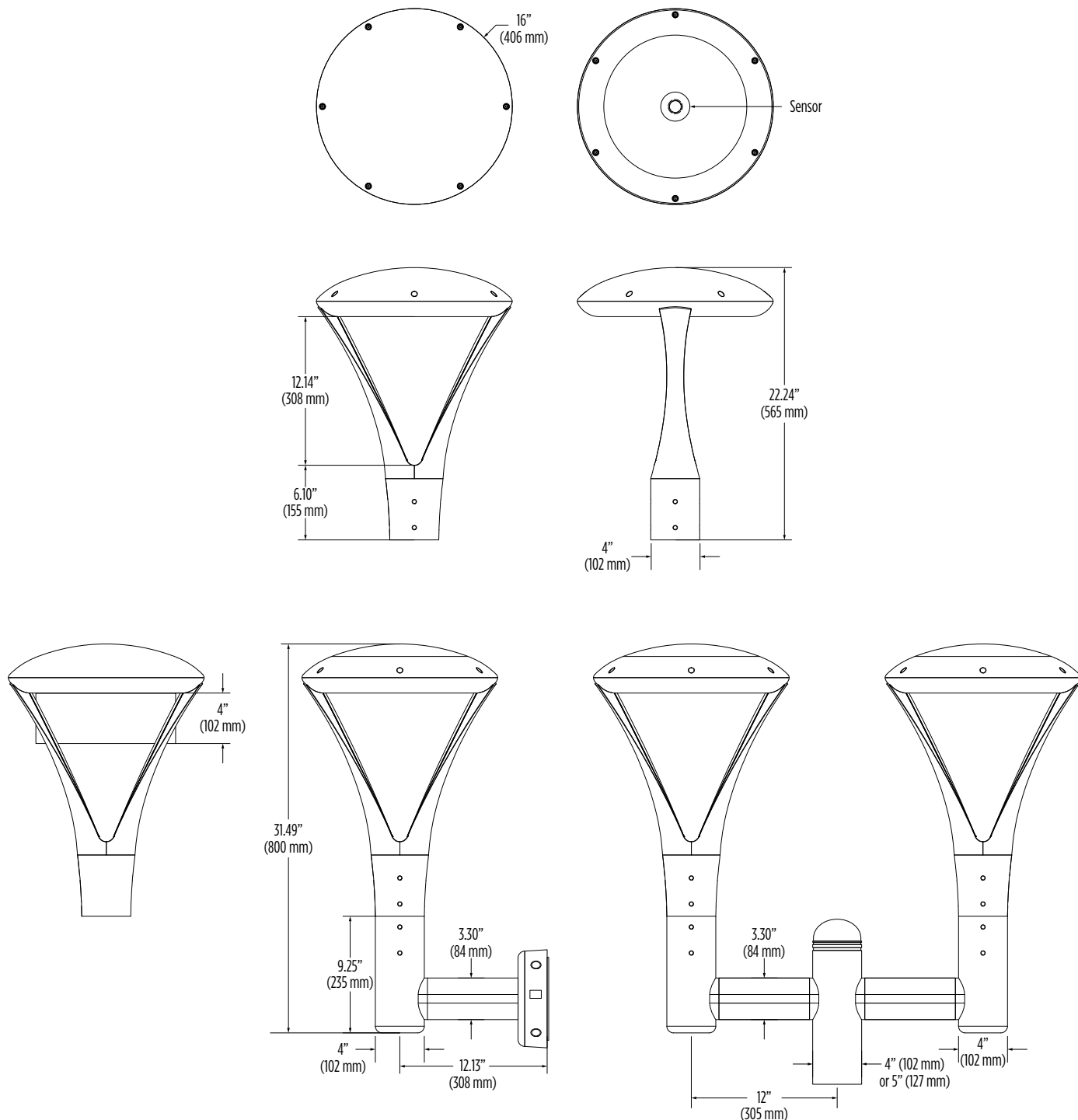
Polar Curve



■ Vertical Plane ■ Horizontal Cone

## PRODUCT DIMENSIONS

### Opulence Small Post Top (OPS PT)



#### External Shield

Luminaire EPA Chart - OPS PT		
Configuration	PT Single	PT D180°
EPA	0.75	1.75

#### Post Top Wall Mount Bracket


1.5G rated Wall Mount Arm mounts to standard 4" steel J-Box (Supplied by others) and is provided with masonry anchors for extra support.

#### D180 Post Top Arm Bracket

Optional D180 1.5G rated Arm Assembly Mounts to 4" Pole (D180 B3 Bolt-on). Consult factory for alternate configurations. Pole cap accessory not included.

# Opulence Post Top (Zero Uplight) Outdoor Decorative Post Top

Type : \_\_\_\_\_

 **Have questions?** Call us at (800) 436-7800

## CONTROLS

### Integral Bluetooth™ Motion and Photocell Sensor (IMSBTxL)

Slim low profile sensor provides multi-level control based on motion and/or daylight. Sensor controls 0-10 VDC LED drivers and is IP66 rated for cold and wet locations (-40°F to 167°F). Two unique PIR lenses are available and used based on fixture mounting height. All control parameters are adjustable via an iOS or Android App capable of storing and transmitting sensor profiles.

[Click here to learn more details about IMSBT](#)



LEVITON App



Apple



Android

### AirLink Blue (ALBCSx)

Wireless Bluetooth Mesh Outdoor Lighting Control System that provides energy savings, code compliance and enhanced safety/security for parking lots and parking garages. Three key components; Bluetooth wireless radio/sensor controller, Time Keeper and an iOS App. Capable of grouping multiple fixtures and sensors as well as scheduling time-based events by zone. Radio/Sensor Controller is factory integrated into Area/Site, Wall Mounted, Parking Garage and Canopy luminaires.

[Click here to learn more details about AirLink Blue](#)



AirLink Blue App



Apple

### Sensor Sequence of Operations

Standard Programming	On Event	Off Event	On Light Level	Dim Light Level	Daylight Harvesting	Delay To Off	Sensitivity
IMSBTxL	Motion	No Motion	100%	N/A	On; Auto Calibration	20 minutes	High

Operation	Description
<b>On Event</b>	Trigger that activates lights to turn on; either automatic via motion detected or manually activated via push of button.
<b>Off Event</b>	Trigger that activates lights to turn off; either automatic via no motion detected or manually activated via push of button.
<b>On Light Level</b>	The light level that the fixtures will turn on to when ON EVENT occurs.
<b>Dim Light Level</b>	The light level that the fixtures will dim down to when no motion is detected.
<b>Delay to Dim</b>	The amount of time after which no motion is detected that the fixtures will be triggered to dim down. This sequence is optional, and sensor can be programmed to only trigger the fixture to turn off by entering 100% in this field.
<b>Delay to Off</b>	The amount of time after which no motion is detected that the fixtures will be triggered to turn off. If delay to dim is part of the programmed functionality, this is the amount of time after which no motion is detected after the fixture have already dimmed down.
<b>Sensitivity</b>	The sensitivity can be set to high, medium, low, or auto where applicable. High will detect smaller, simple motions. Low will only detect larger more complex motions. Auto temperature calibration adjusts the PIR sensitivity as ambient temperature rises to increase detection of heat movement through the field of view.

## POLES & BRACKETS

LSI offers a full line of poles and mounting accessories to complete your lighting assembly. Aluminum and steel in both square and round shafts. In addition, LSI offers round tapered, fluted and hinge based poles. Designed and engineered for durability and protected with our oven baked DuraGrip Protection System. Also available with our DuraGrip+ Protection system for unmatched corrosion resistance and an extended warranty. American made in our Ohio facility with industry leading lead times.

[Click here to learn more details about poles & brackets](#)



### Internal Flush Mount Adaptor 4" Round Straight Pole

Optional flush mount accessory slips inside the top of a 4" round pole for a virtually seamless transition from pole to luminaire. Painted with LSI - Duragrip paint for unmatched corrosion resistance.



### Square Internal Tenon Adaptor

The Square Pole Tenon 4", 5", & 6" adaptors allow for the Opulence Post Top to be mounted on a square open top steel pole. Tenon adaptors slice into pole and bolt through the securing the tenon to the pole. These tenons are made hearty steel tubing, are double-welded and are painted with LSI Duragrip paint. Shipped with mounting hardware assembled.



### Round External Tenon Adaptor

The Round Pole Top Tenon adaptors provide the right size tenon to ensure proper mounting of the Opulence Post Top on the Round tapered or straight poles. These tenons are made from heavy steel tubing, are double-welded, and are painted with LSI Duragrip paint. Shipped with mounting hardware assembled.



### Spun Aluminum Collar Round Straight Pole

Optional one-piece spun aluminum collar for 4" or 5" diameter straight round poles. Features durable, high quality construction with aesthetically pleasing design that slips over the pole for increased theft deterrent.



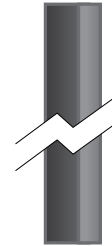
### Contemporary Base Cover Tapered Pole

Optional contemporary base cover is cast from 356 alloy aluminum and provided with an access door. Available with 10' - 18' round taper pole shafts. The complete assembly is heat-treated to a T6 temper.



### Decorative Base Cover Round Straight Pole

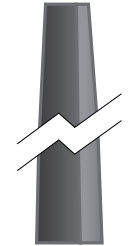
Optional decorative base cover has a two-piece die cast construction with stainless steel fasteners. Base cover is polyester powder coated to match pole. GBC base cover fits 4" and 5" diameter straight round poles. Includes 4" round pole adaptor molded from black silicone rubber.



**Square Pole**  
14' - 30'



**Round Pole**  
10' - 30'



**Tapered Pole**  
10' - 30'