

Lifestyle Series XDLS

Installation and Assembly Instructions



⚠ WARNING

Risk of fire, electric shock, injury, or property damage

Risk of electric shock--Disconnect power to equipment before installing or servicing.
This equipment must be installed according to all applicable codes & ordinances.
Installation and service of this equipment must be performed by qualified service personnel.
Do not install damaged equipment.
Read these instructions before installing, servicing, or maintaining this equipment.
Save these instructions for maintaining and servicing.

⚠ CAUTION

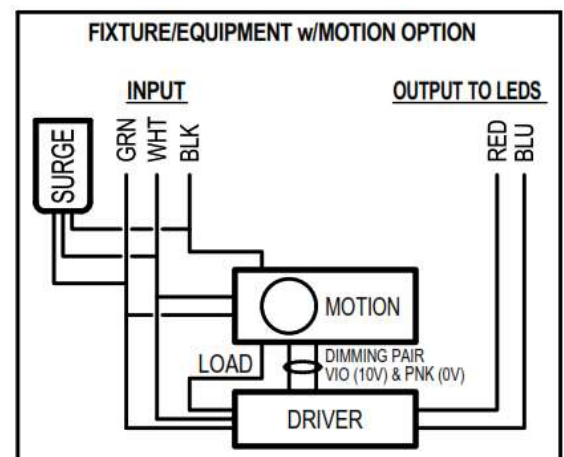
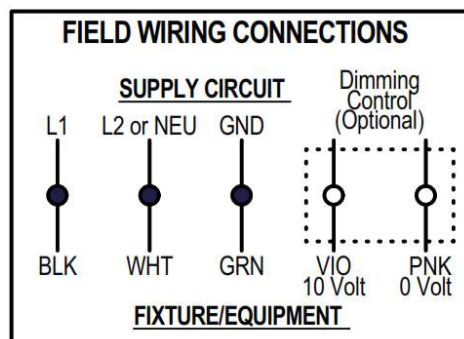
Failure to follow instructions or altering equipment could result in damage and void warranty.
Edges may cut--wear gloves while handling or servicing this equipment.
Inspect equipment for damage from shipping and handling.

LUMINAIRE PREPARATION

1. Remove the luminaire from the carton and inspect luminaire for damage. Do not install a damaged luminaire.
2. Identify which model has been ordered and determine mounting method for appropriate mounting instructions on the following pages.

WIRING INFORMATION

HANDLING INSTRUCTIONS



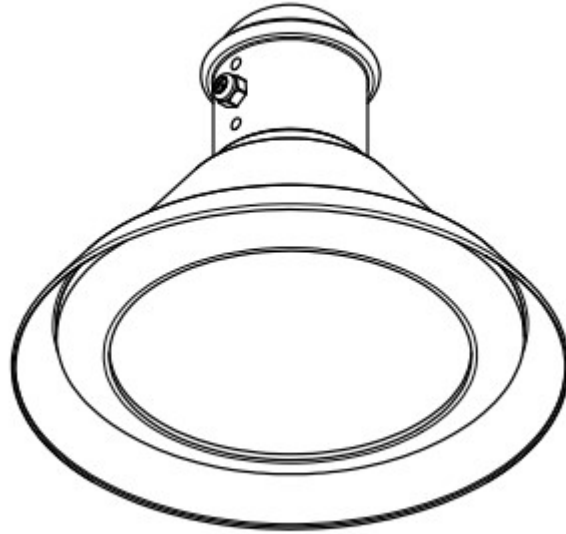
Integral Bluetooth Motion and Photocell Sensor Option – IMSBTL

The sensor configuration app is available for both iOS and Android devices. Search the APP Store for LSI sensor configuration and download. It is used to set up a password, change default settings and testing. If no password is set within 7 days of the sensor being powered up it will need to be reset. For complete details download the LSI Sensor Config App User Guide <https://www.lsicorp.com>

Lifestyle Series XDLS

Installation and Assembly Instructions

Remove the luminaire from the carton. Inspect the luminaire and mounting locations for any damages. If the fixture is damaged, do not use. Ensure the mounting location is suitable for the luminaire and rated to support the weight of the fixture.



Lifestyle Series XDLS

Installation and Assembly Instructions

MOUNTING

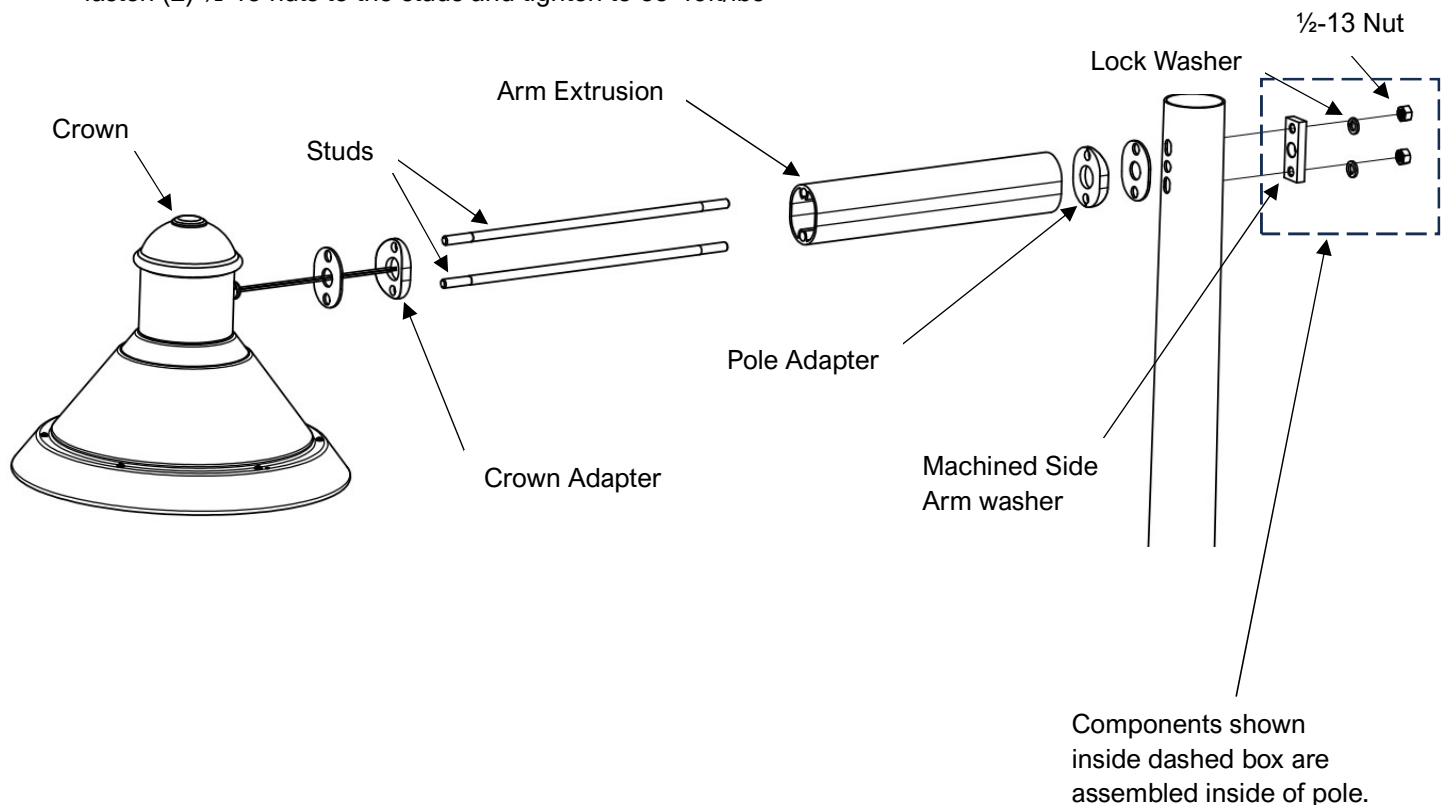
Make sure supply power is **OFF** prior to installation. Installing with live supply voltage can damage electronics and void fixture warranty.

Note: Packaging materials should be used to protect paint finish when assembling fixture and mounting bracket on parking lot surface or ground.

Pole Mount (SA4) (SA5)

Tools Required: 7/32" Hex Key Wrench, 3/4" Open End Wrench

1. Screw (2) 1/2-13 studs into the crown until threads are fully engaged. Slide crown adapter, arm extrusion and pole adapter onto studs
2. Feed luminaire leads thru adapter arm and into the pole
3. Slide the two 1/2-13 studs into the pole. Slide on the square machined side arm washer, (2) lock washers, then fasten (2) 1/2-13 nuts to the studs and tighten to 35-40ft/lbs



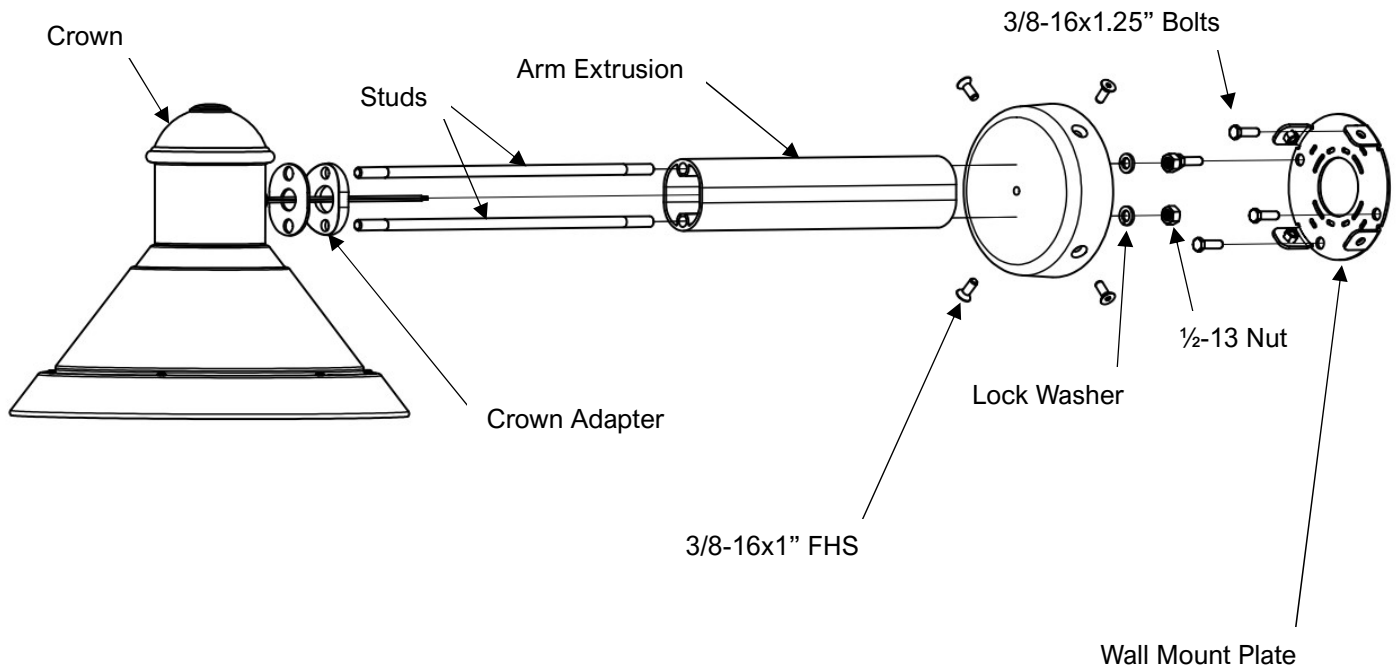
Lifestyle Series XDLS

Installation and Assembly Instructions

Wall Mount (SA W)

Tools Required: 7/32" Hex Key Wrench, 3/4" Open End Wrench

1. Screw (2) 1/2-13 studs into the crown until threads are fully engaged. Slide crown adapter, arm extrusion and wall mount onto studs
2. Feed luminaire leads thru adapter arm
3. Fasten 1/2-13 nuts to shaft and tighten to 35-40ft/lbs
4. Fasten the wall mount plate to the wall using (4) provided 3/8-16x1.25" hex head bolts
5. Mount the fixture w/ SA bracket to the wall mount plate using (4) provided 3/8-16x1" FHS and torque 10-12ft/lbs
6. Use RTV silicone or rope caulking to seal wall mount to wall in order to avoid water entry into structure



Lifestyle Series XDLS

Installation and Assembly Instructions

Classic Hook (CH)

Tools Required: 3/16" Hex Key Wrench

1. Feed luminaire leads from tenon thru classic hook
2. Slide tenon into classic hook and align (4) holes
3. Insert (4) supplied 5/16-18 BHCS and tighten to 20-30 in/lbs

