



INSTALLATION GUIDE

LAW LINEAR SERIES

SAVE THESE INSTRUCTIONS



BEFORE YOU BEGIN

Read and follow all safety instructions

WARNING

RISK OF FIRE, EXPLOSION AND ELECTRIC SHOCK

- This product should be installed, inspected, and maintained by a qualified electrician only, in accordance with the NEC (National Electric Code) and all local codes.
- Turn off electrical power before inspection, installation or removal.
- Use only UL (or other NRTL) approved wire for input/output connections.
- Minimum size 18 AWG or 14 AWG for continuous runs.
- Make sure LEDs and drivers are cool to touch when performing maintenance.
- Make sure the supply voltage is the same as the rated voltage of the luminaire.
- Do not install in a hazardous atmosphere, except where the ambient temperature does not exceed the rated operating temperature of the fixture.
- Keep tightly closed when in operation



Prepare Electrical Wiring



Electrical Requirements

- The LED driver must be supplied with 120 or 277V, 50/60 Hz and connected to an individual, properly grounded branch circuit protected by a 20 ampere circuit breaker. Use min. 75°C supply.

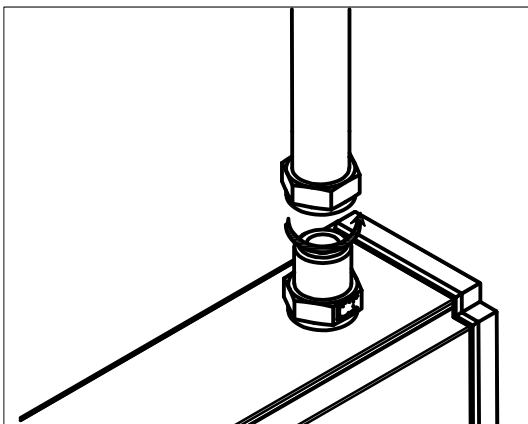
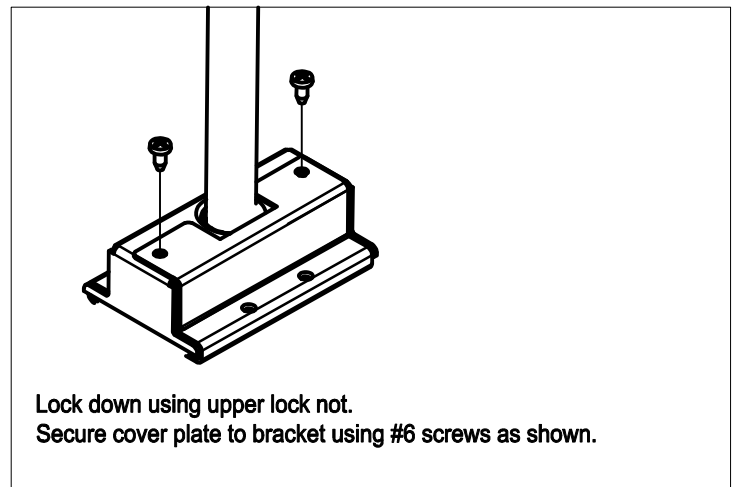
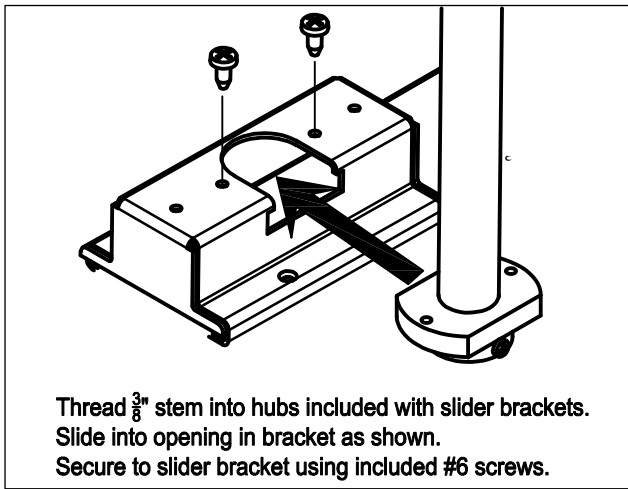
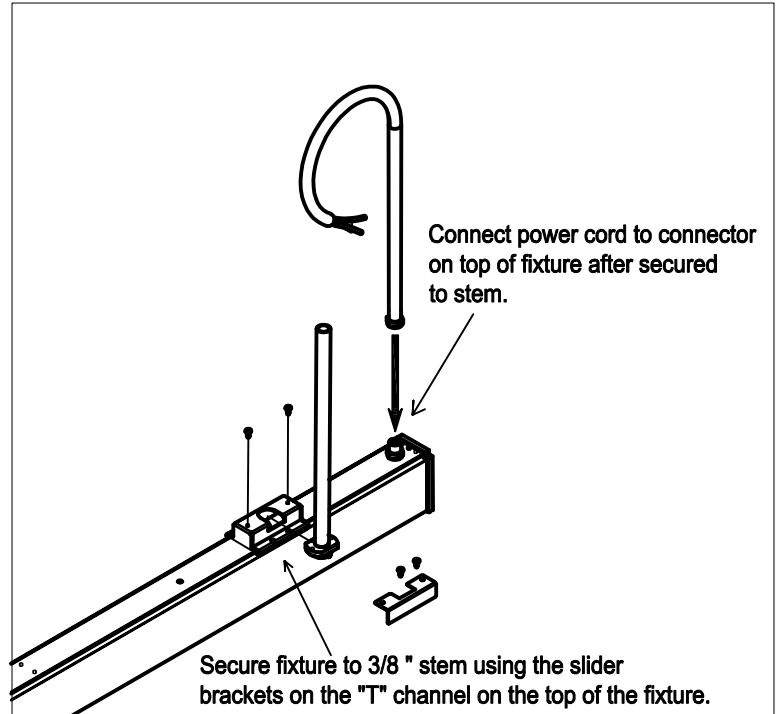
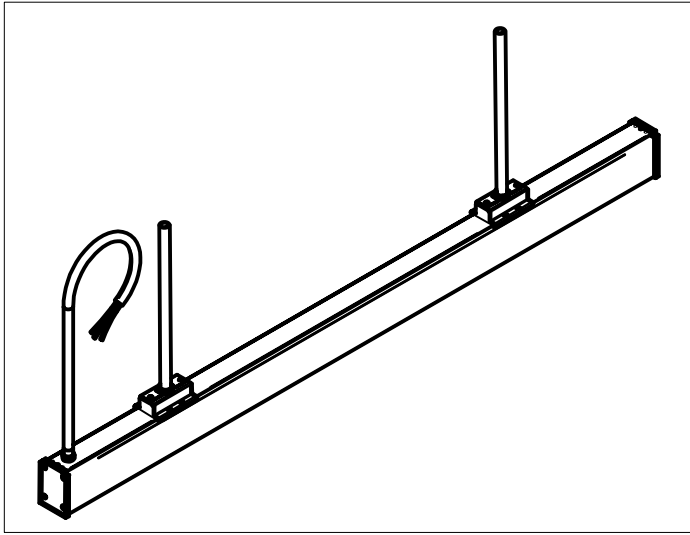


Grounding Instructions

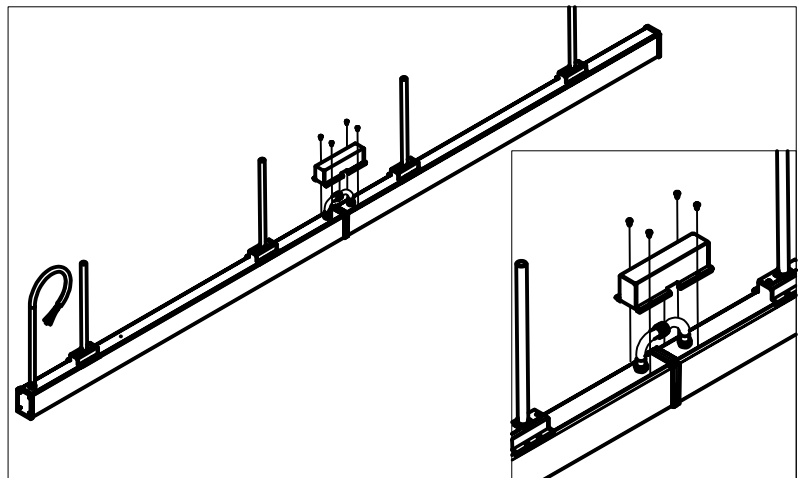
- The grounding and bonding of the overall system shall be done in accordance with NEC Article 600 and local codes

Installation Questions
Call LSI Field Service Dept.
800-436-7800 ext. 3300

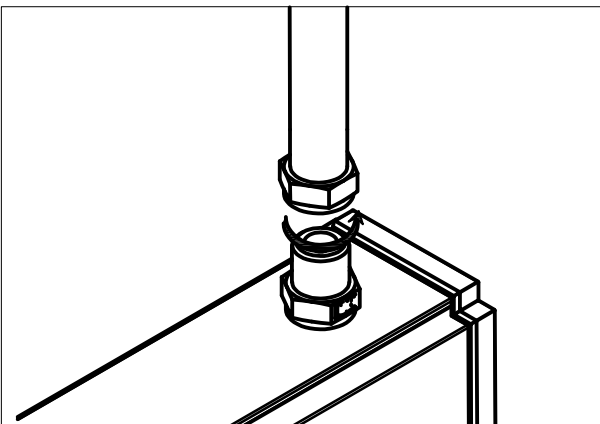
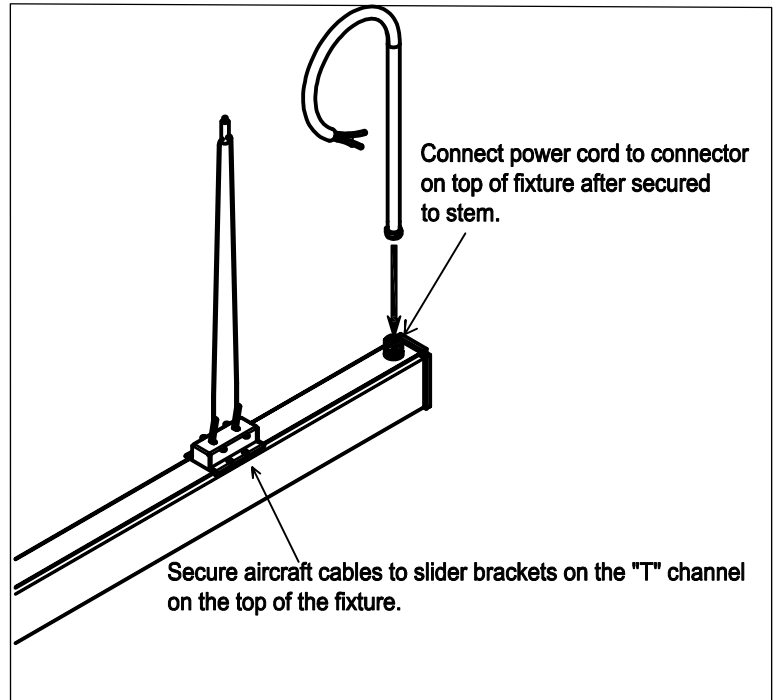
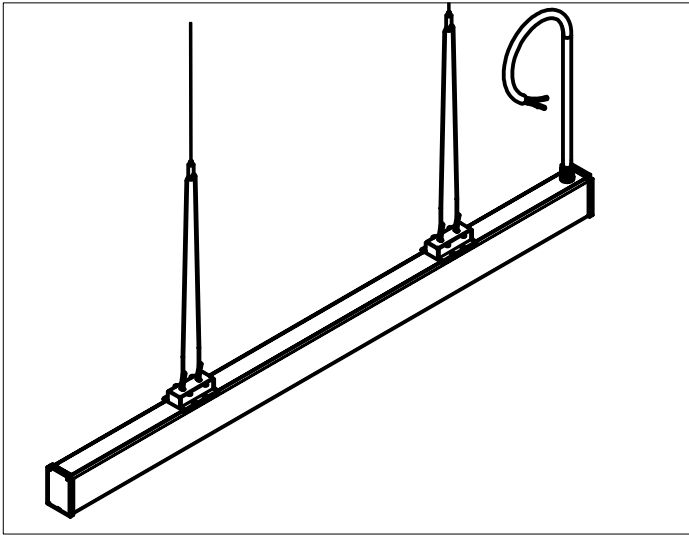
LSI Industries Inc. 10000 Alliance Rd. Cincinnati, OH 45242
www.lsi-industries.com
764916 Rev. 06/01/21



Connect the AC cable to the fitting on the top of the fixture. Thread fitting securely. Be aware of seal.

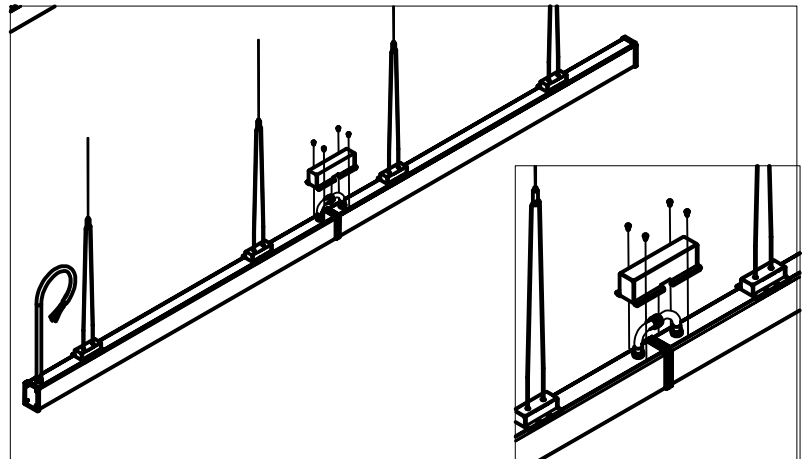


For continuous row , mount fixtures to adjacent stems as above. Make fixture to fixture connections using male & female connectors at fixture ends. Cover connection with joiner bracket as shown.



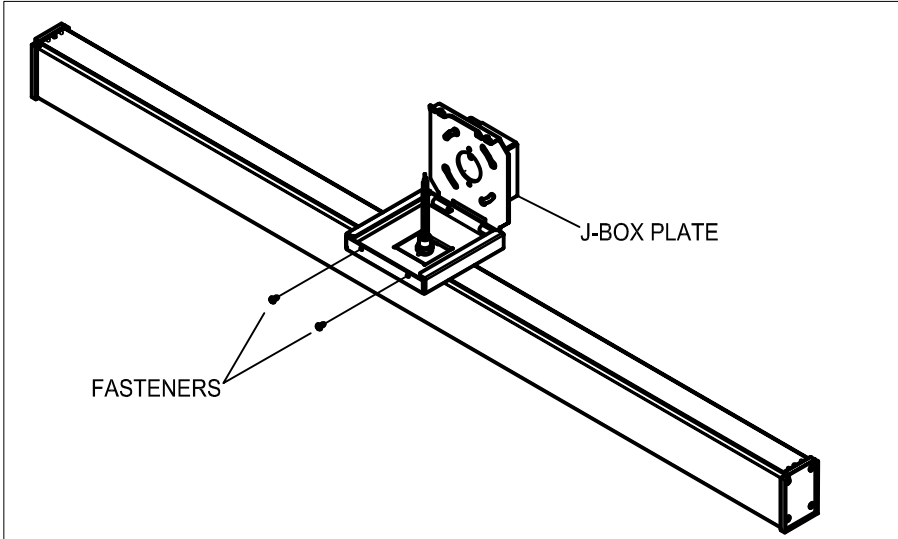
Connect the AC cable to the fitting on the top of the fixture.
Thread fitting securely. Be aware of seal.

2ft fixtures.



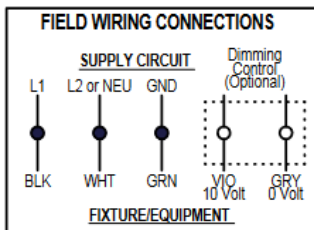
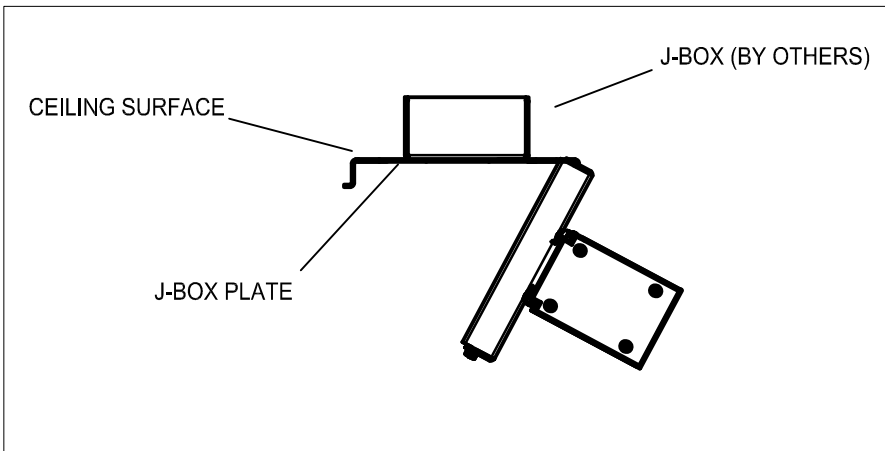
For continuous row , mount fixtures to adjacent cable kits as above. Make fixture to fixture connections using male & female connectors at fixture ends. Cover connection with joiner bracket as shown.

3ft fixtures.



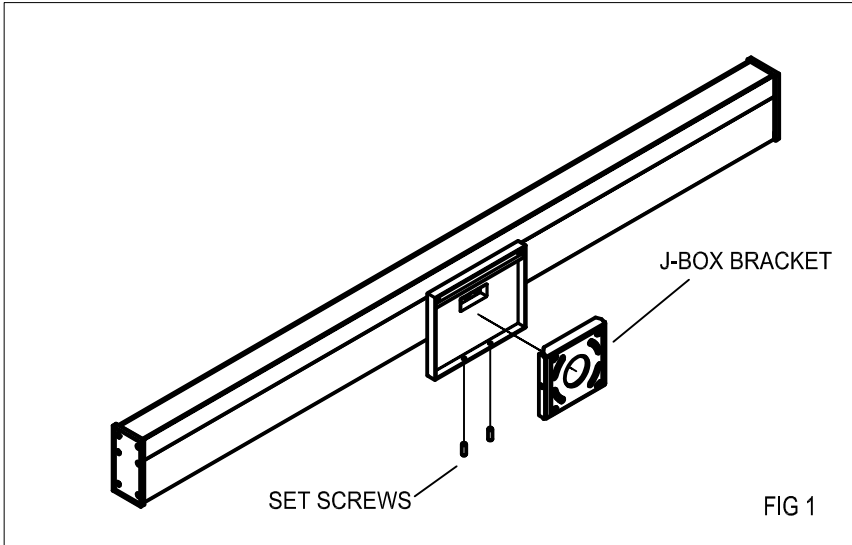
STEPS FOR DIRECT MOUNTING

1. Remove j-box plate from luminaire and attach to junction box (junction box and fasteners provided by others).
2. Hang fixture from j-box plate in preparation for wiring.
3. Make wiring connections and position wire nut branch connections inside junction box.
4. Swing fixture closed and tighten two fasteners completing fixture installation.

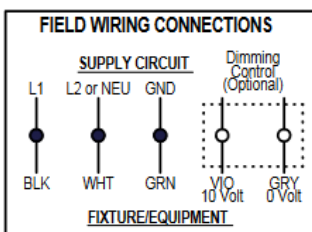
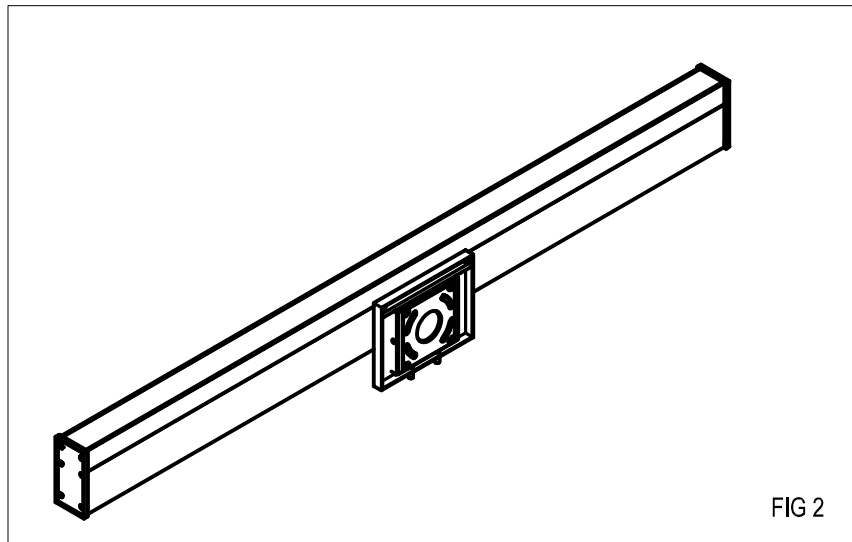


Installation Questions
 Call LSI Field Service Dept.
 800-436-7800 ext. 3300

LSI Industries Inc. 10000 Alliance Rd. Cincinnati, OH 45242
 www.lsi-industries.com
 764916 Rev. 06/01/21

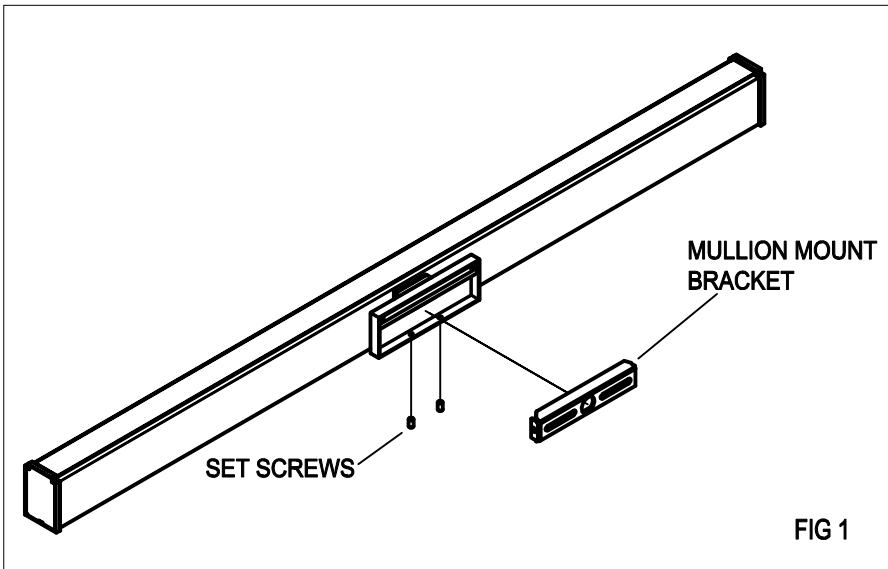


1. Remove the J-Box Bracket from the luminaire by loosening the (2) Set Screws, Fig. 1.
2. Using (2) fasteners (8-32 screws) by others, attach J-Box Bracket to J-Box.
3. Make wiring connections and position wire nut branch connections inside junction box.
4. Re-position Luminaire on J-Box Bracket and tighten Set Screws, Fig. 2.

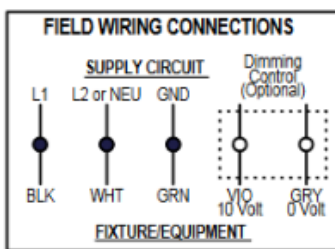
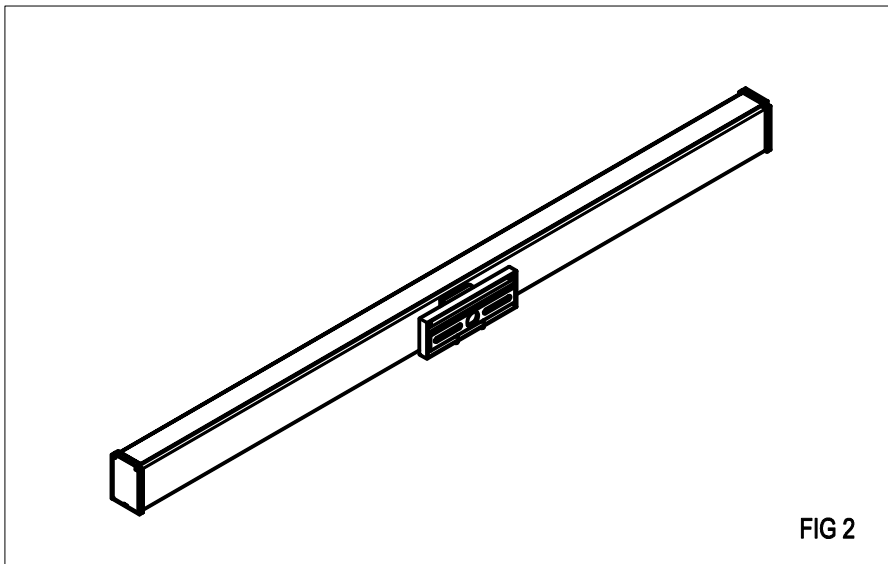


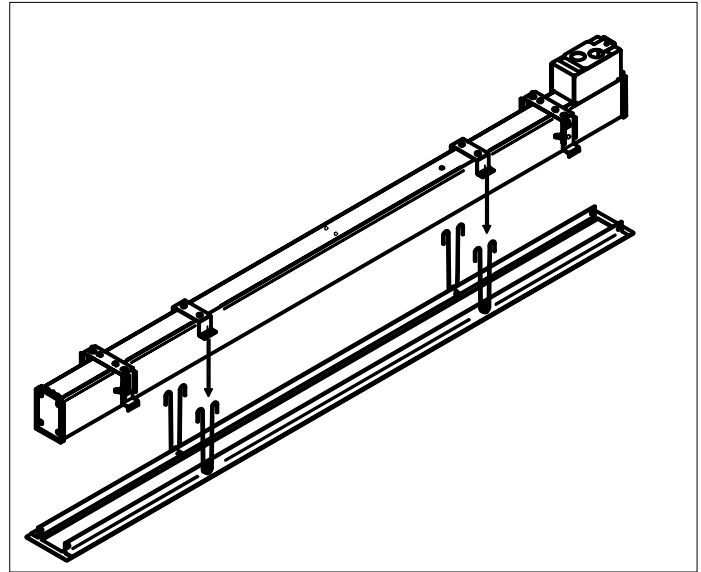
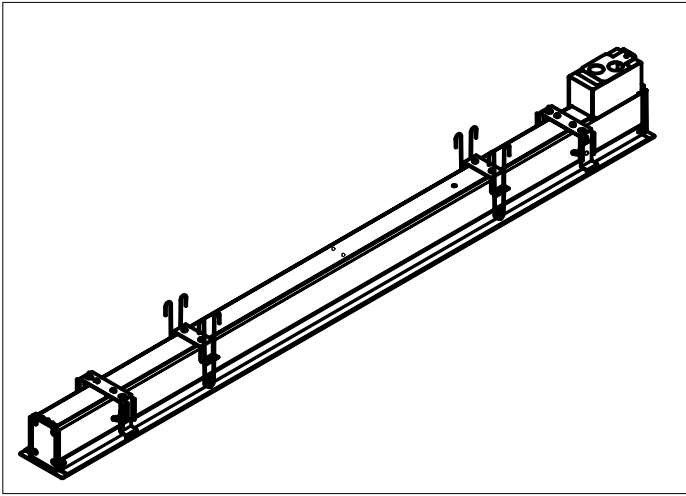
Installation Questions
 Call LSI Field Service Dept.
 800-436-7800 ext. 3300

LSI Industries Inc. 10000 Alliance Rd. Cincinnati, OH 45242
 www.lsi-industries.com
 764916 Rev. 06/01/21

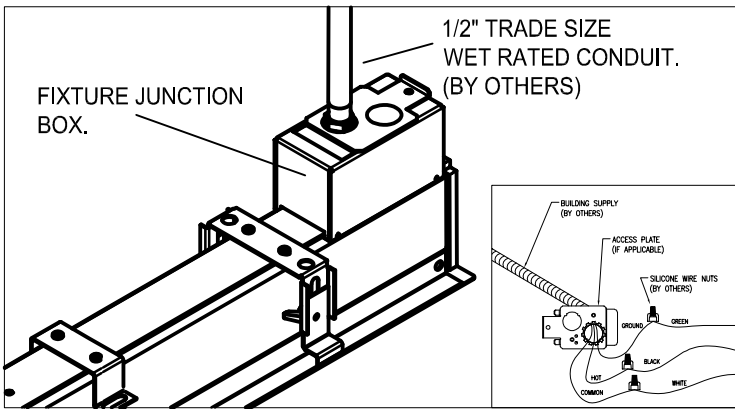


1. Remove the J-Box Bracket from the luminaire by loosening the (2) Set Screws, Fig. 1.
2. Using (2) fasteners (8-32 screws) by others, attach Mullion Mount Bracket to J-Box.
3. Make wiring connections and position wire nut branch connections inside junction box.
4. Re-position Luminaire on J-Box Bracket and tighten Set Screws, Fig. 2.

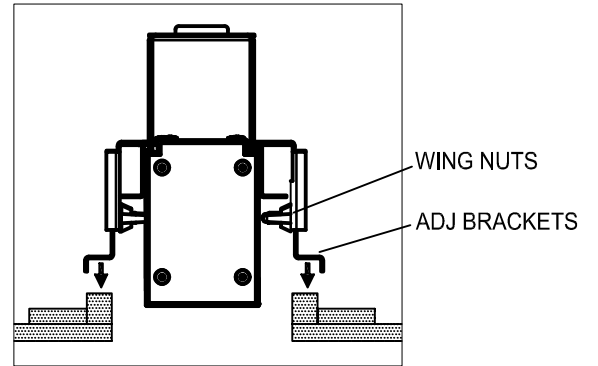




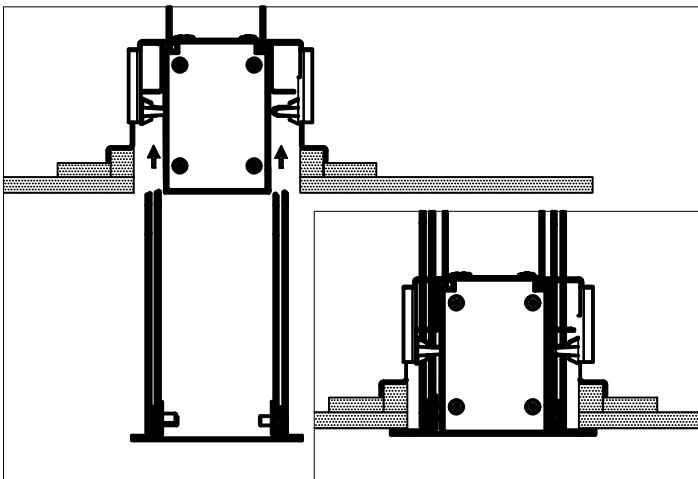
REMOVE FLANGE ASSEMBLY FROM HOUSING BY DISENGAGING TORSION SPRINGS FROM HOUSING BRACKETS.



MAKE CONNECTION BETWEEN FIXTURE & BUILDING POWER USING WET RATED FLEX CONDUIT. USE SILICONE WIRE NUTS (BY OTHERS) TO MAKE CONNECTIONS IN FIXTURE JUNCTION BOX.

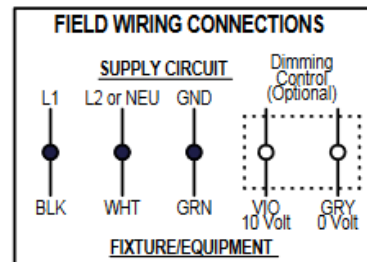


LIFT FIXTURE THROUGH ROUGH IN IN CEILING. REST FIXTURE ONTO CEILING STRUCTURE USING ADJUSTABLE BRACKETS. USE BRACKET WING NUTS TO ADJUST FIXTURE HEIGHT IN ROUGH IN.



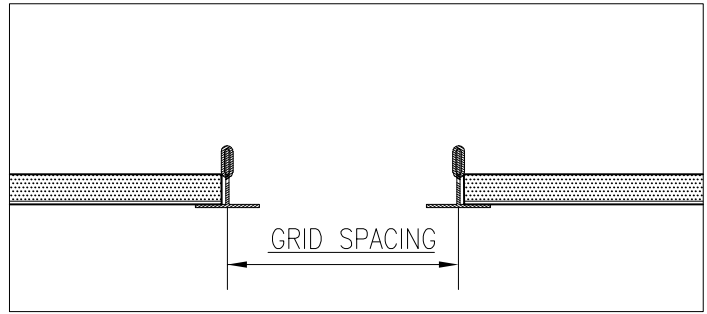
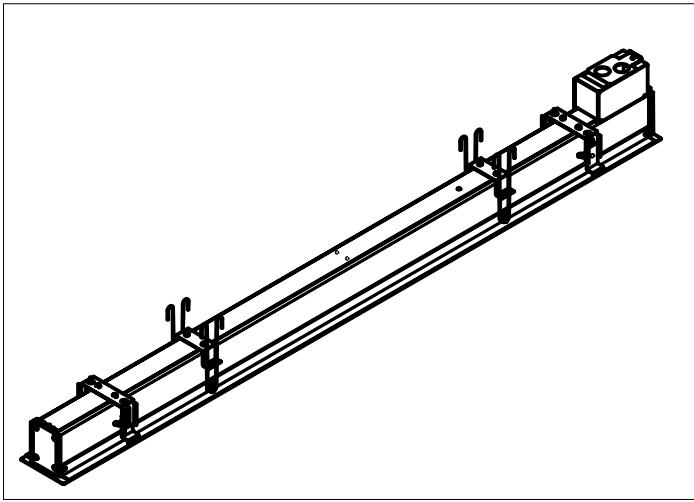
SECURE FLANGE ASSEMBLY TO HOUSING BY ENGAGING SPRINGS INTO HOUSING BRACKETS.

CEILING ROUGH IN DIMENSIONS		
FIXTURE LENGTH	ROUGH IN LENGTH	ROUGH IN WIDTH
1FT	12.75"	3.5"
2FT	24.75"	3.5"
3FT	36.75"	3.5"
4FT	48.75"	3.5"
5FT	60.75"	3.5"
6FT	72.75"	3.5"
7FT	84.75"	3.5"
8FT	96.75"	3.5"

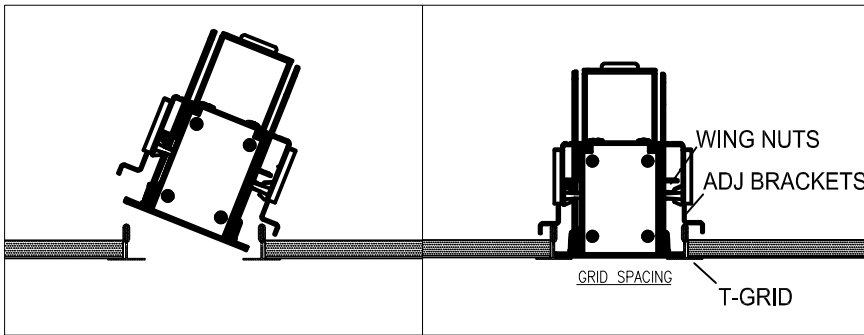


Installation Questions
Call LSI Field Service Dept.
800-436-7800 ext. 3300

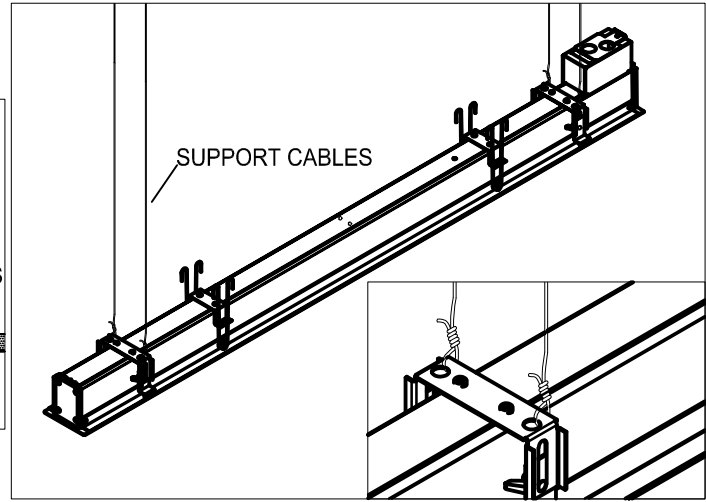
LSI Industries Inc. 10000 Alliance Rd. Cincinnati, OH 45242
www.lsi-industries.com
764916 Rev. 06/01/21



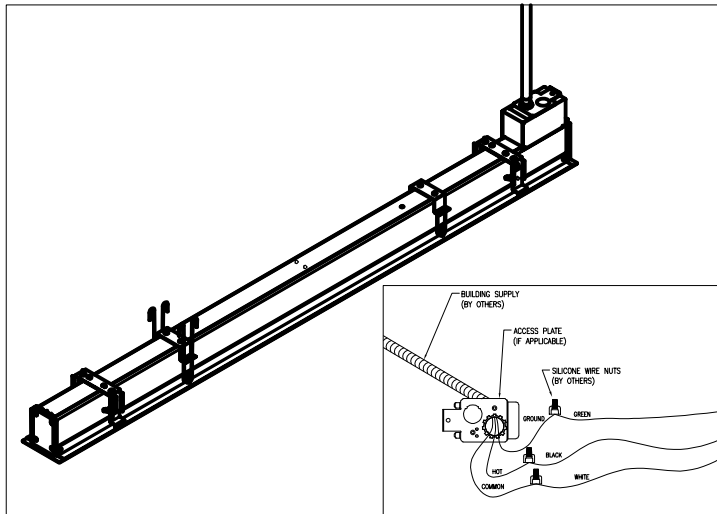
SET GRID OPENING TO DIMENSIONS SHOWN IN TABLE BELOW.



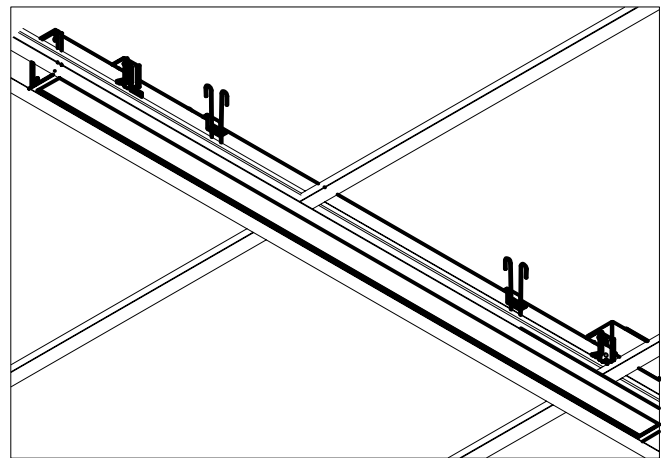
SET FIXTURE INTO CEILING GRID.
ADJUST MOUNTING BRACKETS TO FIT CEILING TEE.



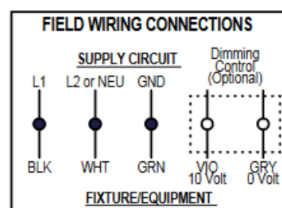
FIXTURE IS PROVIDED WITH PROVISIONS FOR INDEPENDENT FIXTURE SUPPORT WHERE A.H.J CODE IS REQUIRED. SECURE WITH SUPPORT CABLES AS SHOWN.



MAKE CONNECTION BETWEEN FIXTURE & BUILDING POWER USING WET RATED FLEX CONDUIT. USE SILICONE WIRE NUTS (BY OTHERS) TO MAKE CONNECTIONS IN FIXTURE JUNCTION BOX.



FIXTURE IS NOW INSTALLED



CEILING GRID DIMENSIONS		
FIXTURE LENGTH	GRID LENGTH	GRID WIDTH
1FT	13"	4.25"
2FT	25"	4.25"
3FT	37"	4.25"
4FT	49"	4.25"
5FT	61"	4.25"
6FT	73"	4.25"
7FT	85"	4.25"
8FT	97"	4.25"

MAX RUN LENGTHS

2ft fixtures.

3ft fixtures.

Fixture Length (ft)	Lumen PKG	Wattage	Input Current (@120V)	Max Fixture Quantity	Max Run Length (ft)	Max Current (A)
2	15L	27	0.2475	24	48	5.94
2	12L	21	0.1925	31	62	5.9675
2	10L	18	0.17	35	70	5.95
2	07L	12	0.11	54	108	5.94
Fixture Length (ft)	Lumen PKG	Wattage	Input Current (@208V)	Max Fixture Quantity	Max Run Length (ft)	Max Current (A)
2	15L	27	0.14	42	84	6
2	12L	21	0.11	54	108	6
2	10L	18	0.11	63	126	6
2	07L	12	0.06	94	188	5.97
Fixture Length (ft)	Lumen PKG	Wattage	Input Current (@240V)	Max Fixture Quantity	Max Run Length (ft)	Max Current (A)
2	15L	27	0.12	48	96	5.94
2	12L	21	0.1	62	124	5.97
2	10L	18	0.08	72	144	5.94
2	07L	12	0.06	109	218	6
Fixture Length (ft)	Lumen PKG	Wattage	Input Current (@277V)	Max Fixture Quantity	Max Run Length (ft)	Max Current (A)
2	15L	27	0.11	55	110	5.9
2	12L	21	0.08	71	142	5.92
2	10L	18	0.07	83	166	5.93
2	07L	12	0.05	125	250	5.96
Fixture Length (ft)	Lumen PKG	Wattage	Input Current (@347V)	Max Fixture Quantity	Max Run Length (ft)	Max Current (A)
2	15L	27	0.09	70	140	5.99
2	12L	21	0.07	90	180	5.99
2	10L	18	0.06	105	210	5.99
2	07L	12	0.04	157	314	5.97

Fixture Length (ft)	Lumen PKG	Wattage	Input Current (@120V)	Max Fixture Quantity	Max Run Length (ft)	Max Current (A)
3	15L	39	0.3575	16	48	5.72
3	12L	31	0.284166667	21	63	5.9675
3	10L	26	0.24	25	75	6
3	07L	18	0.17	35	105	5.95
Fixture Length (ft)	Lumen PKG	Wattage	Input Current (@208V)	Max Fixture Quantity	Max Run Length (ft)	Max Current (A)
3	15L	39	0.21	29	87	5.98
3	12L	31	0.16	36	108	5.9
3	10L	26	0.14	43	129	5.91
3	07L	18	0.1	63	189	6
Fixture Length (ft)	Lumen PKG	Wattage	Input Current (@240V)	Max Fixture Quantity	Max Run Length (ft)	Max Current (A)
3	15L	39	0.18	33	99	5.9
3	12L	31	0.14	42	126	5.97
3	10L	26	0.12	50	150	5.96
3	07L	18	0.08	72	216	5.94
Fixture Length (ft)	Lumen PKG	Wattage	Input Current (@277V)	Max Fixture Quantity	Max Run Length (ft)	Max Current (A)
3	15L	39	0.15	38	114	5.89
3	12L	31	0.12	48	144	5.91
3	10L	26	0.1	58	174	5.99
3	07L	18	0.07	83	249	5.93
Fixture Length (ft)	Lumen PKG	Wattage	Input Current (@347V)	Max Fixture Quantity	Max Run Length (ft)	Max Current (A)
3	15L	39	0.12	48	144	5.93
3	12L	31	0.1	61	183	5.99
3	10L	26	0.08	72	216	5.99
3	07L	18	0.06	105	315	5.99

4ft fixtures

5ft fixtures

Fixture Length (ft)	Lumen PKG	Wattage	Input Current (@120V)	Max Fixture Quantity	Max Run Length (ft)	Max Current (A)
4	15L	52	0.48	12	48	5.72
4	12L	40	0.37	16	64	5.87
4	10L	33	0.3	20	80	6
4	07L	24	0.22	27	108	5.94
Fixture Length (ft)	Lumen PKG	Wattage	Input Current (@208V)	Max Fixture Quantity	Max Run Length (ft)	Max Current (A)
4	15L	52	0.28	21	84	5.78
4	12L	40	0.21	28	112	5.92
4	10L	33	0.17	34	136	5.93
4	07L	24	0.13	47	188	5.97
Fixture Length (ft)	Lumen PKG	Wattage	Input Current (@240V)	Max Fixture Quantity	Max Run Length (ft)	Max Current (A)
4	15L	52	0.24	25	100	5.96
4	12L	40	0.18	32	128	5.87
4	10L	33	0.15	39	156	5.9
4	07L	24	0.11	54	216	5.94
Fixture Length (ft)	Lumen PKG	Wattage	Input Current (@277V)	Max Fixture Quantity	Max Run Length (ft)	Max Current (A)
4	15L	52	0.21	29	116	5.99
4	12L	40	0.16	37	148	5.88
4	10L	33	0.13	45	180	5.9
4	07L	24	0.1	62	248	5.91
Fixture Length (ft)	Lumen PKG	Wattage	Input Current (@347V)	Max Fixture Quantity	Max Run Length (ft)	Max Current (A)
4	15L	52	0.16	36	144	5.93
4	12L	40	0.13	47	188	5.96
4	10L	33	0.1	57	228	5.96
4	07L	24	0.08	78	312	5.93

Fixture Length (ft)	Lumen PKG	Wattage	Input Current (@120V)	Max Fixture Quantity	Max Run Length (ft)	Max Current (A)
5	15L	65	0.6	10	50	5.96
5	12L	51	0.4675	12	60	5.61
5	10L	42	0.39	15	75	5.85
5	07L	29	0.27	22	110	5.94
Fixture Length (ft)	Lumen PKG	Wattage	Input Current (@208V)	Max Fixture Quantity	Max Run Length (ft)	Max Current (A)
5	15L	65	0.34	17	85	5.84
5	12L	51	0.27	22	110	5.93
5	10L	42	0.22	27	135	6
5	07L	29	0.15	39	195	5.98
Fixture Length (ft)	Lumen PKG	Wattage	Input Current (@240V)	Max Fixture Quantity	Max Run Length (ft)	Max Current (A)
5	15L	65	0.3	20	100	5.96
5	12L	51	0.23	25	125	5.84
5	10L	42	0.19	31	155	5.97
5	07L	29	0.13	45	225	5.98
Fixture Length (ft)	Lumen PKG	Wattage	Input Current (@277V)	Max Fixture Quantity	Max Run Length (ft)	Max Current (A)
5	15L	65	0.26	23	115	5.94
5	12L	51	0.2	29	145	5.87
5	10L	42	0.17	35	175	5.84
5	07L	29	0.12	52	260	5.99
Fixture Length (ft)	Lumen PKG	Wattage	Input Current (@347V)	Max Fixture Quantity	Max Run Length (ft)	Max Current (A)
5	15L	65	0.21	29	145	5.98
5	12L	51	0.16	37	185	5.98
5	10L	42	0.13	45	225	5.99
5	07L	29	0.09	65	325	5.98

6ft fixtures

Fixture Length (ft)	Lumen PKG	Wattage	Input Current (@120V)	Max Fixture Quantity	Max Run Length (ft)	Max Current (A)
6	15L	78	0.72	8	48	5.72
6	12L	61	0.56	10	60	5.9166667
6	10L	50	0.46	13	78	5.98
6	07L	35	0.32	18	108	5.76
Fixture Length (ft)	Lumen PKG	Wattage	Input Current (@208V)	Max Fixture Quantity	Max Run Length (ft)	Max Current (A)
6	15L	78	0.41	14	84	5.78
6	12L	61	0.32	18	108	5.81
6	10L	50	0.26	22	132	5.82
6	07L	35	0.19	32	192	5.92
Fixture Length (ft)	Lumen PKG	Wattage	Input Current (@240V)	Max Fixture Quantity	Max Run Length (ft)	Max Current (A)
6	15L	78	0.36	16	96	5.72
6	12L	61	0.28	21	126	5.87
6	10L	50	0.23	26	156	5.96
6	07L	35	0.16	37	222	5.94
Fixture Length (ft)	Lumen PKG	Wattage	Input Current (@277V)	Max Fixture Quantity	Max Run Length (ft)	Max Current (A)
6	15L	78	0.31	19	114	5.89
6	12L	61	0.24	24	144	5.81
6	10L	50	0.2	30	180	5.96
6	07L	35	0.14	43	258	5.98
Fixture Length (ft)	Lumen PKG	Wattage	Input Current (@347V)	Max Fixture Quantity	Max Run Length (ft)	Max Current (A)
6	15L	78	0.25	24	144	5.93
6	12L	61	0.19	31	186	5.99
6	10L	50	0.16	37	222	5.86
6	07L	35	0.11	54	324	5.99

MAX RUN LENGTHS CONTINUED

7ft fixtures

Fixture Length (ft)	Lumen PKG	Wattage	Input Current (@120V)	Max Fixture Quantity	Max Run Length (ft)	Max Current (A)
7	15L	86	0.79	7	49	5.518333333
7	12L	70	0.64	9	63	5.775
7	10L	58	0.53	11	77	5.83
7	07L	41	0.38	15	105	5.7
Fixture Length (ft)	Lumen PKG	Wattage	Input Current (@208V)	Max Fixture Quantity	Max Run Length (ft)	Max Current (A)
7	15L	86	0.45	13	91	5.91
7	12L	70	0.37	16	112	5.92
7	10L	58	0.31	19	133	5.83
7	07L	41	0.22	27	189	5.85
Fixture Length (ft)	Lumen PKG	Wattage	Input Current (@240V)	Max Fixture Quantity	Max Run Length (ft)	Max Current (A)
7	15L	86	0.39	15	105	5.91
7	12L	70	0.32	18	126	5.78
7	10L	58	0.27	22	154	5.85
7	07L	41	0.19	31	217	5.83
Fixture Length (ft)	Lumen PKG	Wattage	Input Current (@277V)	Max Fixture Quantity	Max Run Length (ft)	Max Current (A)
7	15L	86	0.34	17	119	5.81
7	12L	70	0.28	21	147	5.84
7	10L	58	0.23	26	182	5.99
7	07L	41	0.16	36	252	5.86
Fixture Length (ft)	Lumen PKG	Wattage	Input Current (@347V)	Max Fixture Quantity	Max Run Length (ft)	Max Current (A)
7	15L	86	0.27	22	154	6
7	12L	70	0.22	27	189	5.99
7	10L	58	0.18	32	224	5.88
7	07L	41	0.13	46	322	5.98

8ft fixtures

Fixture Length (ft)	Lumen PKG	Wattage	Input Current (@120V)	Max Fixture Quantity	Max Run Length (ft)	Max Current (A)
8	15L	104	0.95	6	48	5.72
8	12L	80	0.73	8	64	5.87
8	10L	66	0.61	9	72	5.49
8	07L	47	0.25	24	192	5.97
Fixture Length (ft)	Lumen PKG	Wattage	Input Current (@208V)	Max Fixture Quantity	Max Run Length (ft)	Max Current (A)
8	15L	104	0.55	10	80	5.5
8	12L	80	0.42	14	112	5.92
8	10L	66	0.35	17	136	5.93
8	07L	47	0.25	24	192	5.97
Fixture Length (ft)	Lumen PKG	Wattage	Input Current (@240V)	Max Fixture Quantity	Max Run Length (ft)	Max Current (A)
8	15L	104	0.48	12	96	5.72
8	12L	80	0.37	16	128	5.87
8	10L	66	0.3	19	152	5.75
8	07L	47	0.22	27	216	5.82
Fixture Length (ft)	Lumen PKG	Wattage	Input Current (@277V)	Max Fixture Quantity	Max Run Length (ft)	Max Current (A)
8	15L	104	0.41	14	112	5.78
8	12L	80	0.32	18	144	5.72
8	10L	66	0.26	22	176	5.77
8	07L	47	0.19	32	256	5.97
Fixture Length (ft)	Lumen PKG	Wattage	Input Current (@347V)	Max Fixture Quantity	Max Run Length (ft)	Max Current (A)
8	15L	104	0.33	18	144	5.93
8	12L	80	0.25	23	184	5.83
8	10L	66	0.21	28	224	5.86
8	07L	47	0.15	40	320	5.96

Installation Questions
 Call LSI Field Service Dept.
 800-436-7800 ext. 3300

LSI Industries Inc. 10000 Alliance Rd. Cincinnati, OH 45242
 www.lsi-industries.com
 764916 Rev. 06/01/21