

LED Lighting Fixture

SAVE THESE INSTRUCTIONS



BEFORE YOU BEGIN

Read and follow all safety instructions



WARNING

RISK OF FIRE, EXPLOSION AND ELECTRIC SHOCK

- This product should be installed, inspected, and maintained by a qualified electrician only, in accordance with the NEC (National Electric Code) and all local codes.
- Turn off electrical power before inspection, installation or removal.
- Make sure the lighting fixture is cool to touch when performing maintenance. Make sure the supply voltage is the same as the rated voltage of the luminaire.
- Do not install in a hazardous atmosphere, except where the ambient temperature does not exceed the rated operating temperature of the fixture. (Not Hazardous Location rated)
- Keep tightly closed when in operation



Prepare Electrical Wiring



Electrical Requirements

- The lighting fixture must be supplied with the voltage specified on the product label and connected to an individual, properly grounded branch circuit protected by a 20 Ampere circuit breaker. Use min. 75°C supply.



Grounding Instructions

- The grounding and bonding of the overall system shall be done in accordance with NEC Article 600 and local codes

LED Dock Light DL

Installation Guide

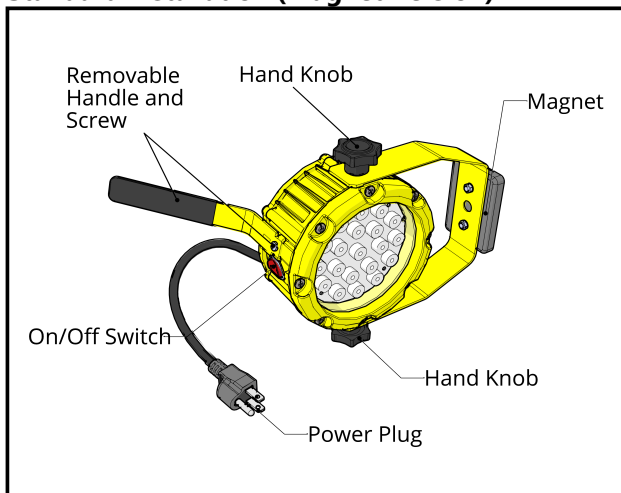
Before starting:

- Unpack the fixture and ensure that there are no damaged or missing parts.
- CAUTION: Products with the magnetic attachment should be kept away from any electronic devices and medical implants such as pacemakers.

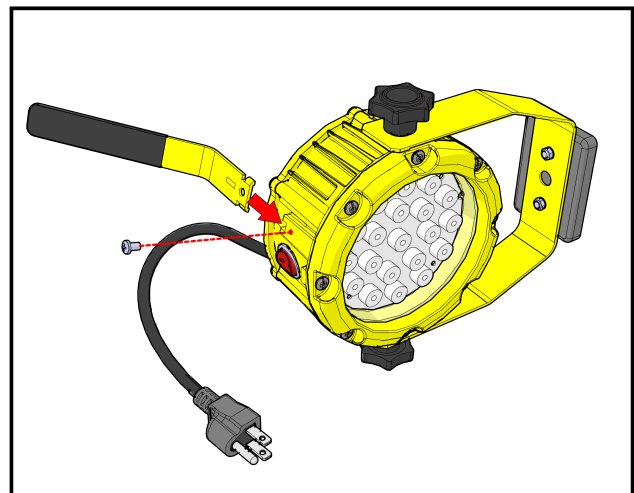
Tools Required:

None

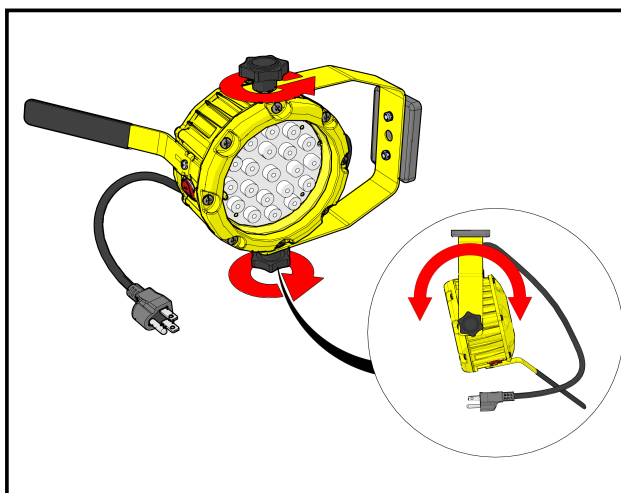
Standard Installation (Magnet Version)



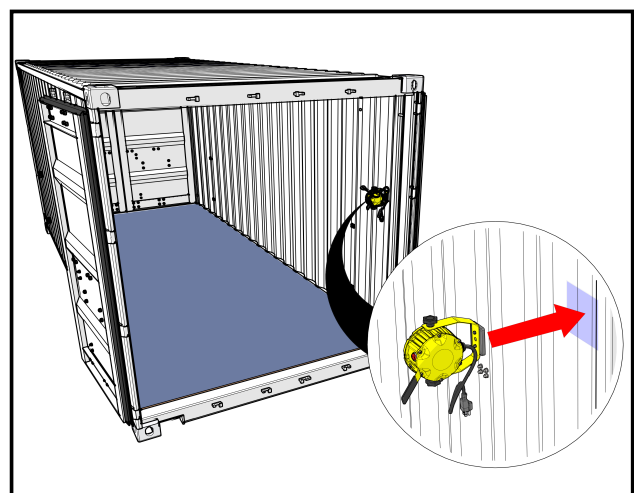
Step 1: Note the different parts of the fixture shown in the image above.



Step 2 (Optional): Assemble the handle to the fixture as shown, using the provided screw.



Step 3: To tilt the fixture, loosen the hand knobs on each side and adjust to the desired position. Tighten the hand knobs to secure.

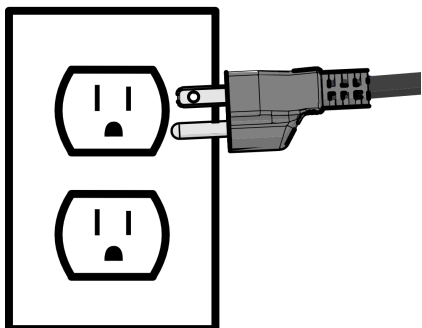


Step 4: Attach the fixture to the side wall of a shipping container by bringing the magnet close to it. CAUTION: Magnet is strong, do NOT place fingers or the power cord between the magnet and surface.

LED Dock Light

DL

Installation Guide



Step 5: Plug the fixture into an appropriately rated three-prong outlet. Use the ON/OFF switch to operate the fixture.

LED Dock Light DL

Installation Guide

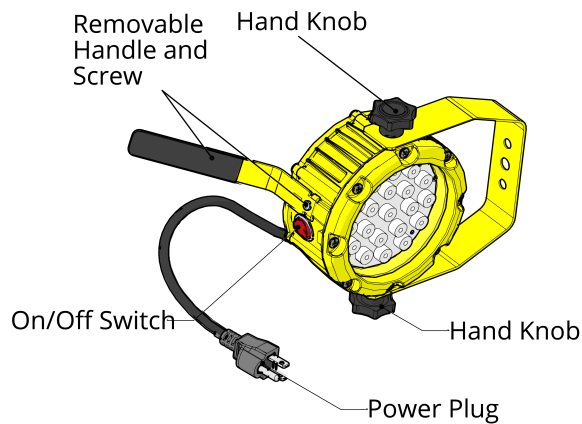
Before starting:

- Unpack the fixture and ensure that there are no damaged or missing parts.

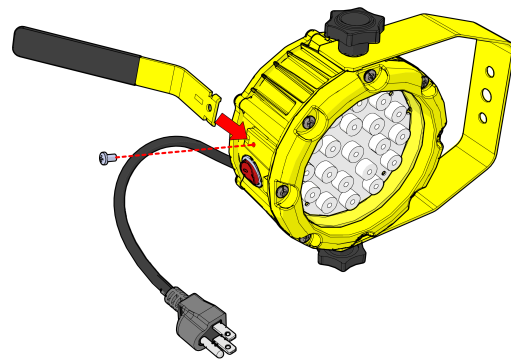
Tools Required:

Drill and assorted bits

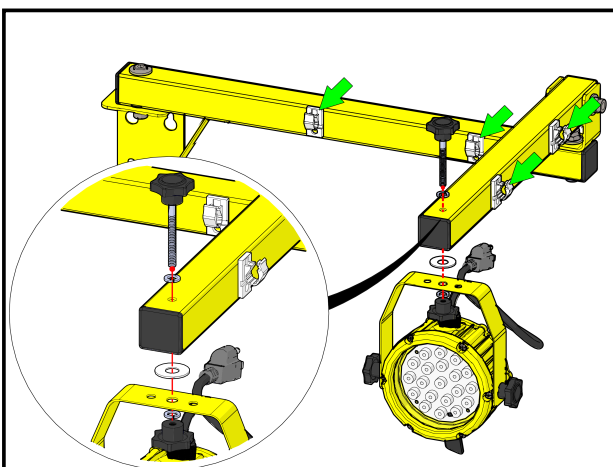
Standard Installation (Adjustable Arm Version)



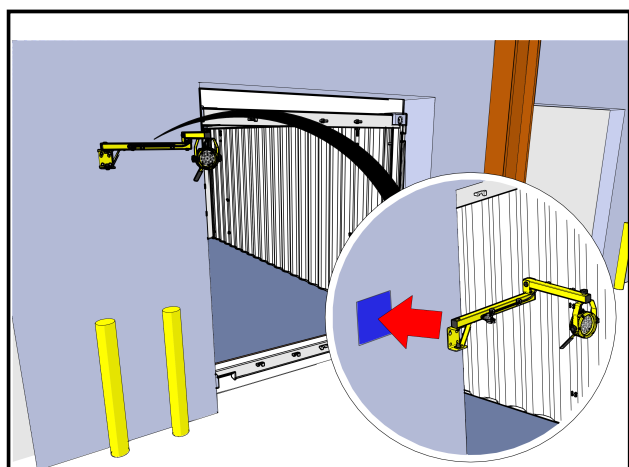
Step 1: Note the different parts of the fixture shown in the image above.



Step 2 (Optional): Assemble the handle to the fixture as shown, using the provided screw.



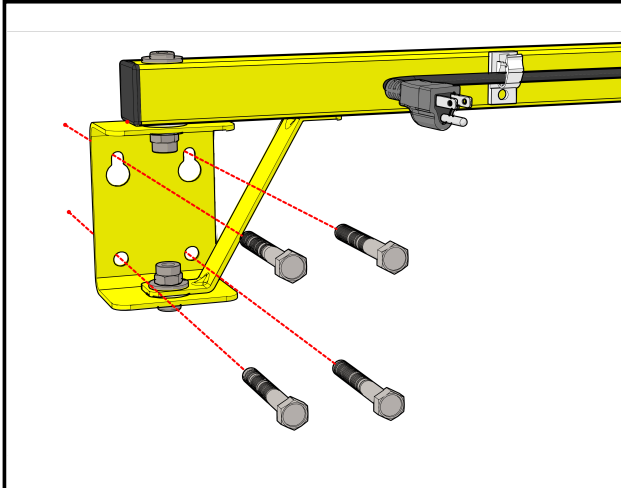
Step 3: Attach the fixture to the arm mount as shown using the included hardware. Fix the included cord clips to the adjustable arm and use them to hold the power cord in position.



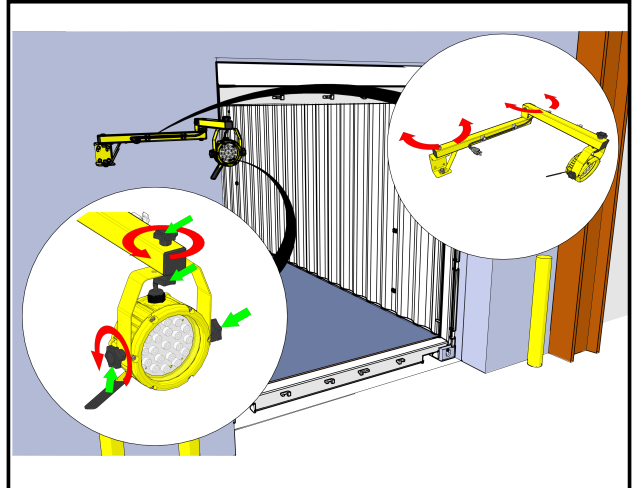
Step 4: Choose a mounting location. The intended location is next to or in between dock openings.

LED Dock Light DL

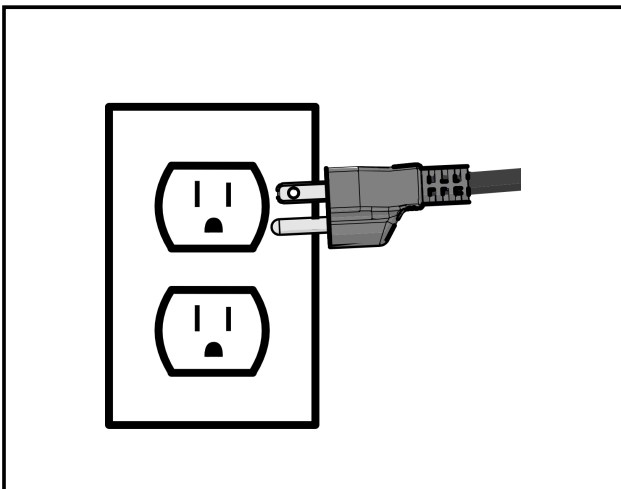
Installation Guide



Step 5: Using the appropriate hardware (sold by others), attach the mounting bracket of the adjustable arm to the mounting surface. Hardware length should be a minimum of 3 inches (3").



Step 6: The fixture can be fully articulated using the adjustable arm. The fixture can be rotated and tilted by loosening the hand knobs and moving it to the desired position. Tighten the hand knobs to secure.



Step 7: Plug the fixture into an appropriately rated three-prong outlet. Use the ON/OFF switch to operate the fixture.