

INSTALLATION AND ASSEMBLY INSTRUCTIONS

LEGACY™ & LEGACY™ SCOTTSDALE®

CRU/CRUS DDM SC & CRU/CRUS DDM SCDL LED SINGLE DECK CANOPY LUMINAIRE SINGLE-PERSON INSTALL SMARTVISION®

SAVE THESE INSTRUCTIONS AND DELIVER TO OWNER AFTER INSTALLATION

BEFORE YOU BEGIN

Read these instructions completely and carefully, observing all CAUTIONS and WARNINGS shown throughout these instructions.

WARNING! RISK OF ELECTRIC SHOCK

- Disconnect or turn off power before installation or servicing.
- Verify that supply voltage is correct by comparing it with the luminaire label information.
- Make all electrical and grounded connections in accordance with the National Electrical Code (NEC) and any applicable local code requirements.

CAUTION: RISK OF INJURY

- Wear gloves and safety glasses at all times when removing luminaire from carton, installing, servicing or performing maintenance.
- Allow luminaire/driver to cool before handling.

NOTICE: RISK OF PRODUCT DAMAGE- Failure to follow instructions could result in damage to product and void ALL warranties!

- Only install fixture with lens facing downward.
- Never connect components under load.
- Do NOT mount or support these fixtures in a manner that can cut the outer jacket or damage wire insulation.
- Do NOT exceed fixtures maximum ambient temperature rating.

CLEANING INSTRUCTIONS

- It will occasionally be necessary to clean the outside of the lens. Frequency of cleaning will depend on ambient dirt level and minimum light output which is acceptable to the user.
- Lens should be wiped with a DAMP cloth with a solution of warm water and a mild, non-abrasive household detergent. Dry with soft, dry, clean cloth.
- Do NOT use chemical cleaners such as powder cleansers, bleach, etc.
- Do NOT use scouring pads, as this will scratch and damage the lens finish.
- Do NOT wipe with a soiled cloth or wet towel - these may leave a residue that can damage finish.
- Do NOT pressure wash or hose down luminaire.



LSI Industries Inc. 10000 Alliance Road Cincinnati, Ohio 45242 (513) 793-3200 Fax (513) 793-0147 www.lsi-industries.com

567748 Rev. 5/14

1 / 4

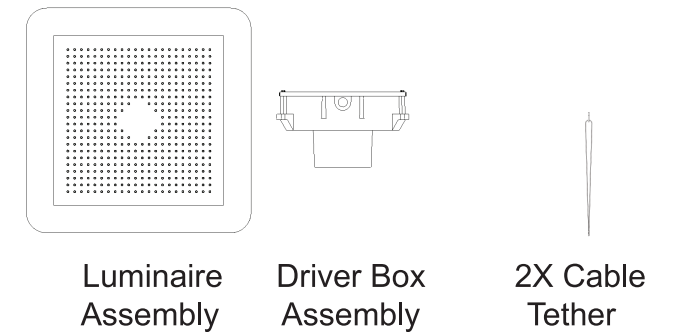


Listed to UL1598
LED Canopy Luminaire,
Suitable for wet locations

©2014 LSI Industries Inc.

CRU/CRUS DDM SERIES, cont'd.

Suggested Tools: Saw, ratchet with 7/16" normal and 1/2" deep well sockets and 3" extension, 5/32" hex key, 5/16" nut driver.



1. CRU DDM consists of Luminaire Assembly, Cable Tether, and Driver Box Assembly. Inside Driver Box assembly is a hardware kit.

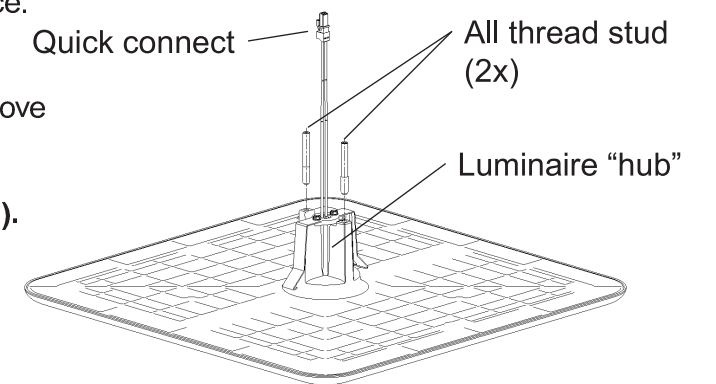
2. CRU DDM is intended to be installed in the CENTER of standard steel canopy decks. Ensure canopy deck is clear of obstructions above canopy deck for installation, and ensure that canopy deck is sturdy and structurally sound to accept luminaire (each luminaire weighs 20 pounds)

3. An 11" by 11" (280mm by 280mm) hole is required in canopy, centered between two canopy ribs. **NOTE: Hole can be no larger than 11-1/2" by 11-1/2" (292mm by 292mm) in size!**

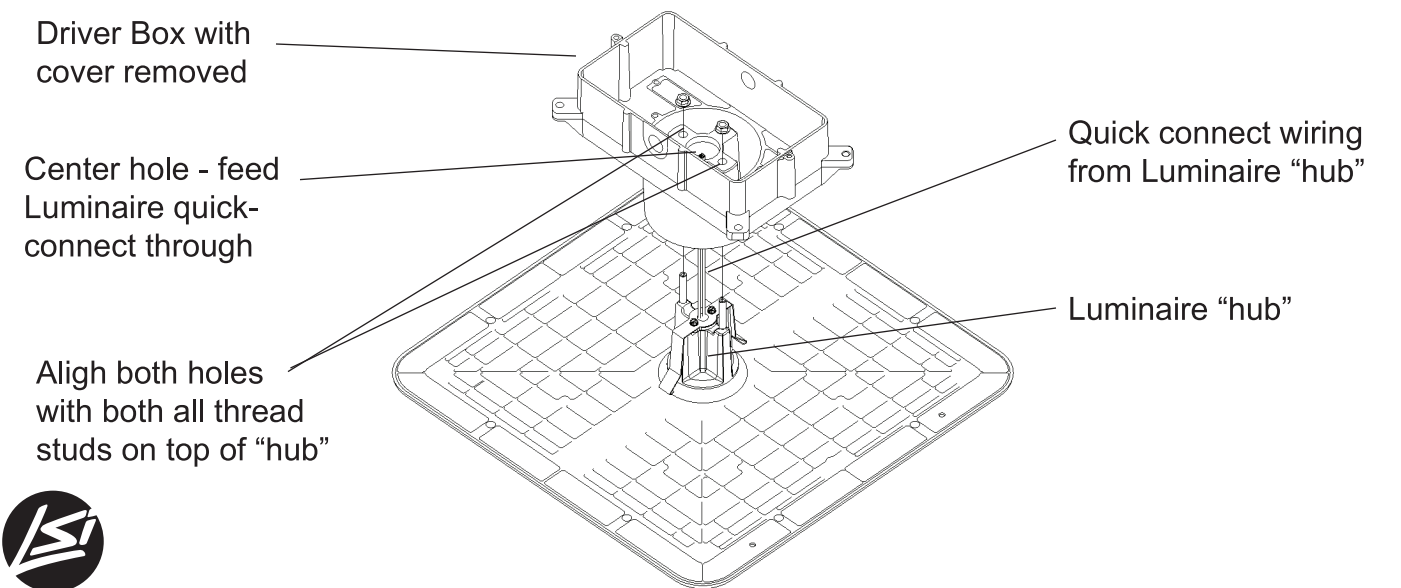
4. Lay Luminaire - lens facing DOWN - on protected surface.

5. With driver assembly in hand, remove driver box cover using 5/16" nut-driver (cover is key-slotted; do NOT remove screws completely). Slide cover from both screws to clear key slots. **Do NOT disturb ground wire connection to cover (allow cover to hang to the side).**

6. Locate hardware pack inside driver box. Thread both all-thread studs into "hub" on backside of Luminaire. Tighten both using 5/32" hex key (not included).



7. Position driver box near backside of Luminaire. Feed quick connect wiring from Luminaire into center bottom hole of Driver Box. Position Driver box on top of Luminaire "hub", so that mounting holes of Driver Box align with both all thread studs on top of "hub".



LSI Industries Inc. 10000 Alliance Road Cincinnati, Ohio 45242 (513) 793-3200 Fax (513) 793-0147 www.lsi-industries.com

567748 Rev. 5/14

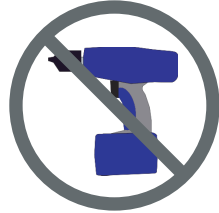
2 / 4

©2014 LSI Industries Inc.

CRU/CRUS DDM SERIES, cont'd.

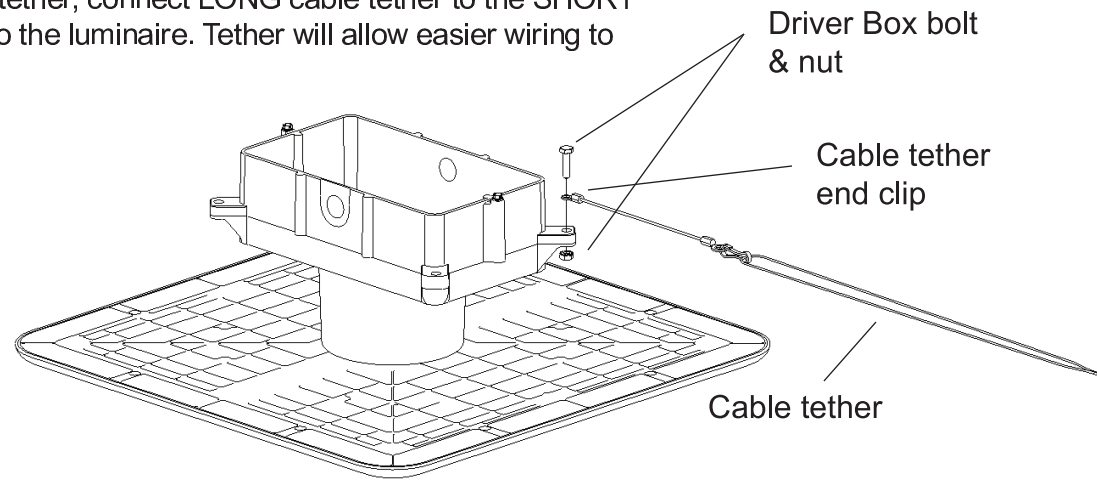
8. Pushing driver box downward, thread both hex nuts onto protruding all thread studs. Tighten both bolts to 120-130 in.-lbs.

Warning! Do not over-tighten nuts. Torque specification is 120-130 in.-lbs. Drill driver NOT recommended; risk of stainless galling and incorrect bolt torque!



Torque (2) nuts to 120-130 in.-lbs.

9. From hardware kit, use (1) of each of the ballast box bolt and nut. Use bolt and nut to secure SHORT cable tether to driver box as shown. To lengthen cable tether, connect LONG cable tether to the SHORT tether connected to the luminaire. Tether will allow easier wiring to driver box.



IMPORTANT! The following instructions are for qualified electricians ONLY!

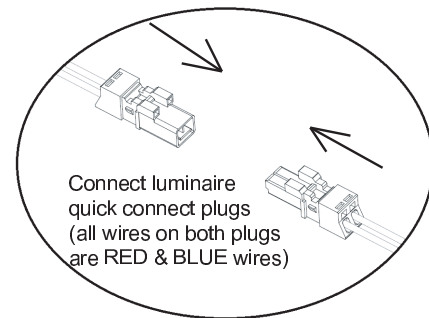
IMPORTANT! Match incoming supply voltage to luminaire voltage rating!

10. Inside driver box, connect (B) luminaire quick connect plug to driver's "loose" plug.

11. Lift Luminaire/Driver assembly up to canopy surface. **DO NOT SUPPORT LUMINAIRE WITH LENS SURFACE!** Support luminaire along lens frame.

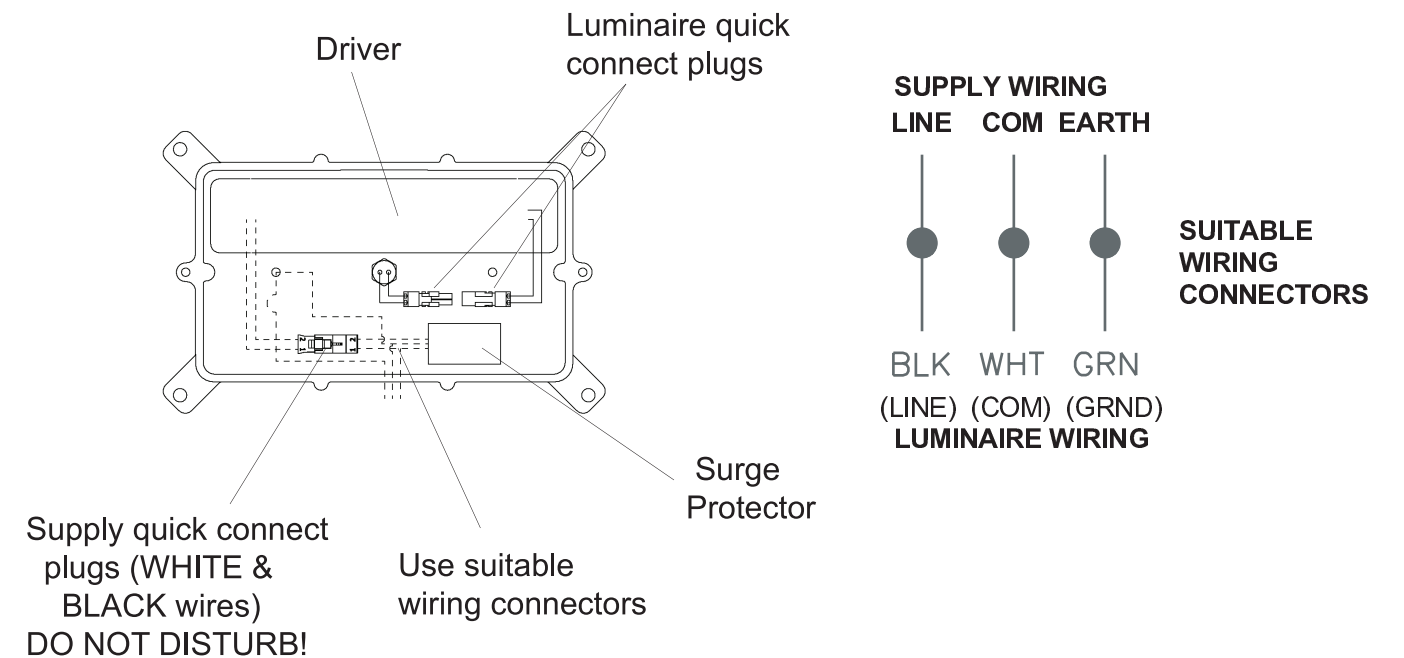
12. To support luminaire during wiring, connect cable tether to suitable ceiling location.

13. Driver Box is equipped with an open hole as well as a plugged hole. Use open hole for connecting supply wiring. Remove hole plug to run supply wiring to other luminaires (daisy-chaining). Supply voltage must be 120-277 VAC, 50/60 Hz.



CRU/CRUS DDM SERIES, cont'd.

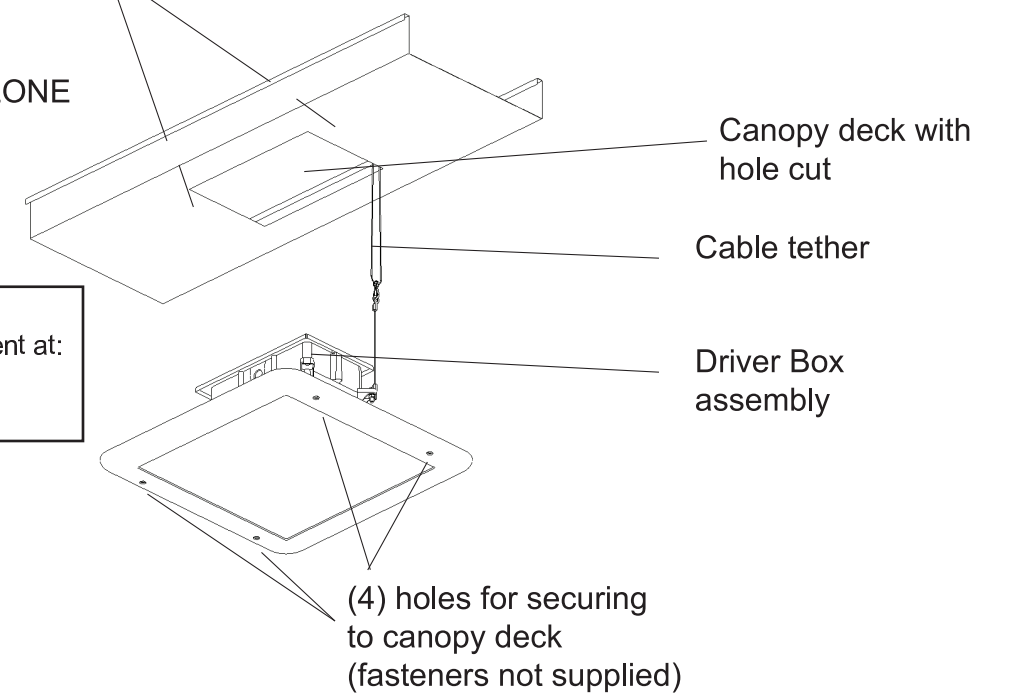
14. Follow wiring diagram below to make electrical connections to luminaire wiring.



15. Reinstall Driver Box cover. Secure with screw.

16. Steer Driver Box thru hole in canopy. Secure Luminaire to canopy using (4) suitable fasteners (not supplied). **IMPORTANT: Secure luminaire to canopy with something on top side of canopy deck (wood, metal, etc.). Do NOT rely on using only screws to canopy deck to support weight of luminaire!**

Make sure (4) screws thread into members on top of canopy deck
DO NOT RELY ON CANOPY DECK ALONE TO SUPPORT LUMINAIRE!



Installation Questions?
Call LSI Field Service Department at:
1-800-436-7800 Ext. 3300
Fax: 1-877-861-1368

