

INSTALLATION AND ASSEMBLY INSTRUCTIONS

CIRU/CIRUS LED Series



SMARTVISION®



WARNING: Failure to follow instructions could result in damage to product and void warranties!

WARNING: Risk of fire or electrical shock. Disconnect power before installing or servicing

WARNING: Verify the existing input voltage and ensure it matches input rating on luminaire's product label, located on inside of access cover.

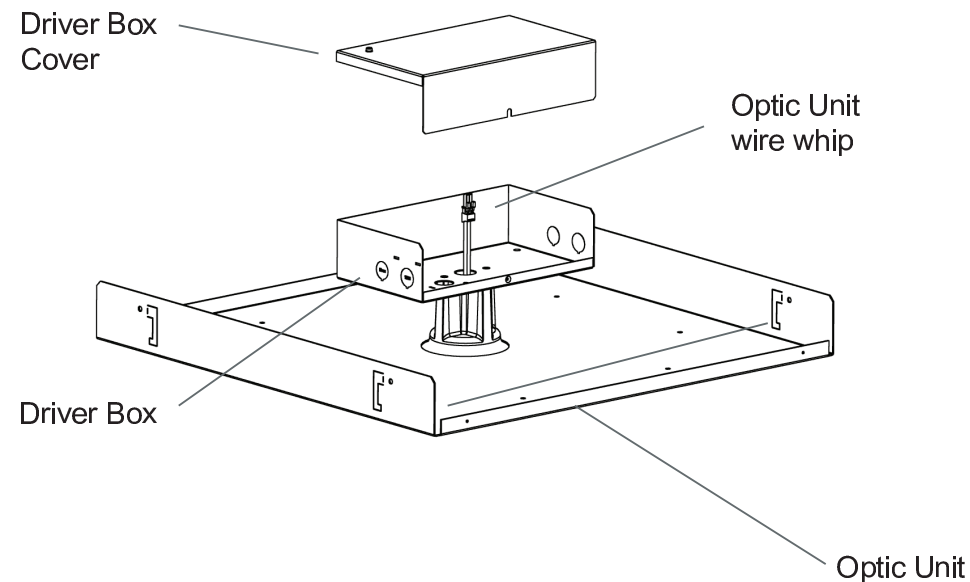
WARNING: Before proceeding, read all instructions carefully to ensure proper and safe installation.

IMPORTANT: This product must be installed in accordance with the applicable installation code by a person familiar with the construction and operation of the product and the hazards involved.

NOTE: Luminaires with low voltage 0-10V dimming wires must run those wires through a separate conduit from line voltage wiring!

LUMINAIRE ASSEMBLY

1. Models CIRU and CIRUS are shipped fully assembled.
2. Remove luminaire from carton and place lens-down on protective surface.



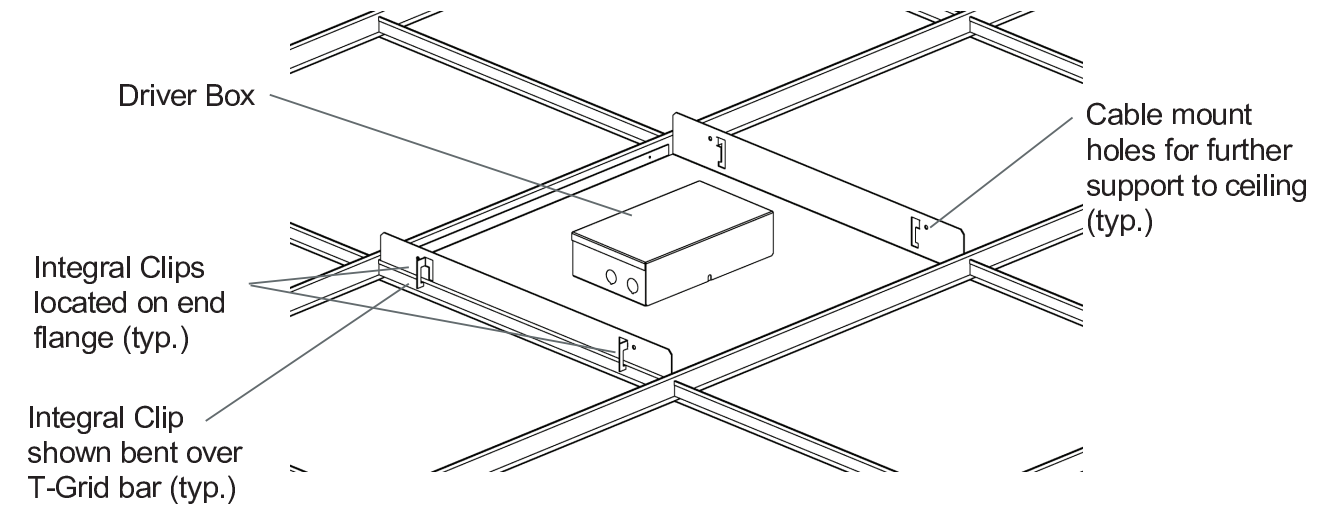
CIRU/CIRUS Series, cont'd.

NOTE: There are 3 methods of mounting this model to ceiling. Follow each method directions:

- Into a 2x2 T-grid (drop ceiling grid) - **NO INSTALL KIT REQUIRED** - see page 2 (below)
- Into drywall or plaster ceiling - **FK22 KIT REQUIRED** - see page 3
- Into drywall or plaster ceiling - **CFK KIT REQUIRED** - follow instructions included with CFK kit

T-GRID CEILING INSTALLATION

1. Luminaire is already mounted to a panel. This panel is sized to fit inside a T-grid with dimensions of 24" by 24".
2. Position Luminaire assembly up into grid. Use supplied grid clips (located on upwardly bent end flanges) to secure to T-grid.
3. Luminaire may be additionally secured to ceiling by using support cables. Holes are provided on upwardly bent end flanges for this purpose.
4. Figure below show clips properly bent outwards over T-Grid. Figure below also shows optional cable-hanging supports.



VIEW ABOVE CEILING

IMPORTANT WIRING INFORMATION - Risk of electrical shock!

- * Make certain supply wiring is not "Hot" before wiring luminaire.
- * Make certain supply voltage corresponds to luminaire voltage, as marked on driver box label.
- * Use minimum 90C rated supply wire.

5. Once Luminaire is secured to T-Grid and/or ceiling supports, run electric supply to driver box. Open driver box by removing lid and placing aside.
6. Several knockouts are provided on driver box. Driver is marked for appropriate voltage. Make sure supply voltage matches luminaire's marked voltage.

IMPORTANT: Do NOT disturb thermal protector, or move it to another knockout hole!

7. Make appropriate wiring connections per National Electric Code and local code. Be sure to include thermal protector in circuit.
8. Reinstall driver box cover. Installation is completed.



CIRU/CIRUS Series, cont'd.

INTO DRYWALL/PLASTER CEILING (USING FK22 KIT)

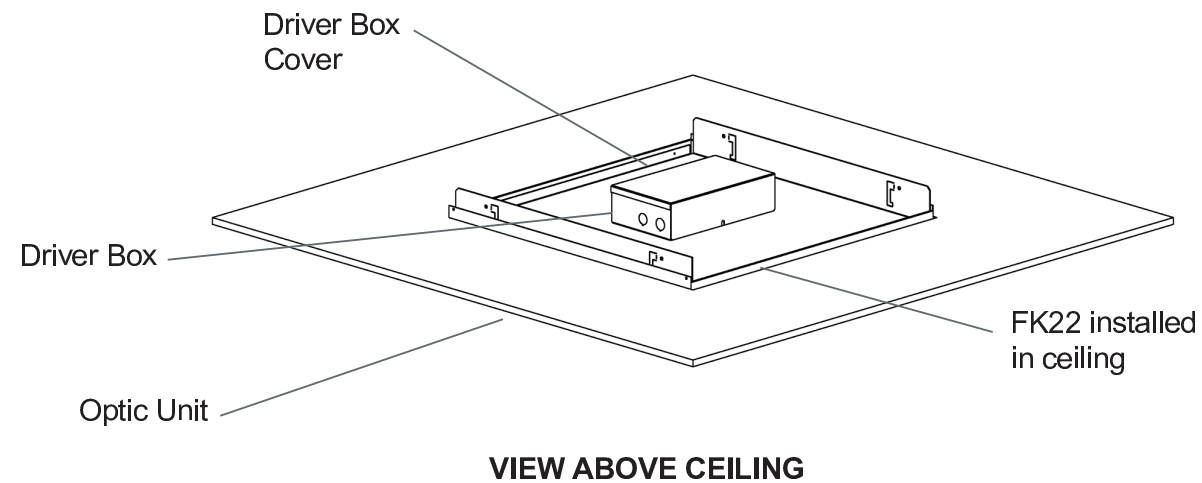
1. Remove luminaire from carton and lay on protective surface on the ground, with lens facing down.
2. Assemble FK22 kit using included instructions and hardware.
3. Luminaire is already mounted to a panel. When luminaire is installed, panel will rest inside the inner edge of FK22 Kit.
4. Cut a 24-1/4" square hole in ceiling. Install assembled FK22 kit into ceiling, using suitable fasteners to secure to sturdy building members. NOTE: Luminaire weighs 20 #s.

IMPORTANT WIRING INFORMATION - Risk of electrical shock!

- * Make certain supply wiring is not "Hot" before wiring luminaire.
 - * Make certain supply voltage corresponds to luminaire voltage, as marked on driver box label.
 - * Use minimum 90C rated supply wire.
5. Hold luminaire assembly up to cut hole. Run supply wiring to driver box.
 6. Several knockouts are provided on driver box. Driver is marked for appropriate voltage. Make sure supply voltage matches luminaire's marked voltage.

IMPORTANT: Do NOT disturb thermal protector, or move it to another knockout hole!

7. Make appropriate wiring connections per National Electric Code and local code. Be sure to include thermal protector in circuit.
8. Reinstall driver box cover.



Installation Questions?
Call LSI Field Service Department at:
1-800-436-7800 Ext. 3300
Fax: 1-877-861-1368

