



BKS-XBO-WM

Wall Mount Area Light Bracket



OVERVIEW

Weight lbs	5
------------	---

FEATURES & SPECIFICATIONS

- Allows you to seamlessly integrate LSI Area Lighting onto vertical wall surfaces.
- Compatible with both LSI 3" and 5" bolt patterns with Heyco plug included for unused mounting hole.
- Rugged steel sheet metal construction with welded seams, thick neoprene wall gasket, and fixture mounting hardware included (Wall mounting hardware/anchors not included)
- 3G rated for ANSI C136.31 high vibration applications.
- Wall Mount bracket finished with LSI's DuraGrip polyester powder coat finishing process. The DuraGrip finish withstands extreme weather changes without cracking or peeling. Other standard LSI finishes available. Consult Factory.

TYPICAL ORDER EXAMPLE: BKS XBO WM BLK

Prefix	Finish
BKA XBO WM - B3/B5 Wall Mount Bracket	BRZ - Bronze
BKS B3 WM - B3 Wall Mount Bracket ¹	BLK - Black
BKS B2 WM - B2 Wall Mount Bracket ¹	MSV - Metallic Silver
	GPT - Graphite
	WHT - White
	SVG - Satin Verde Green
	PLP - Platinum Plus



Need more information?
[Click here for our glossary](#)

Have additional questions?
 Call us at (800) 436-7800



¹ - Includes Surface Conduit punchouts

COMPATIBLE FIXTURES

BKA XBO WM



BKS B3 WM

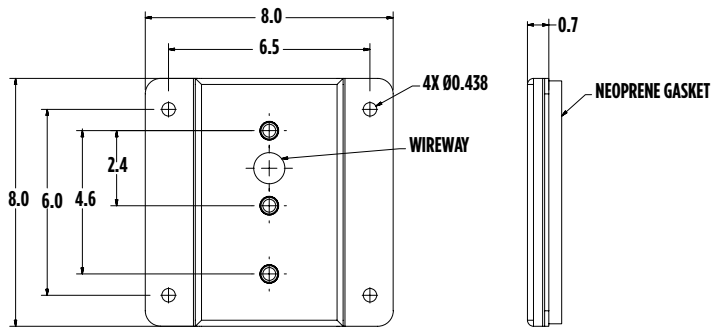


BKS B2 WM

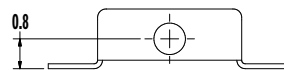
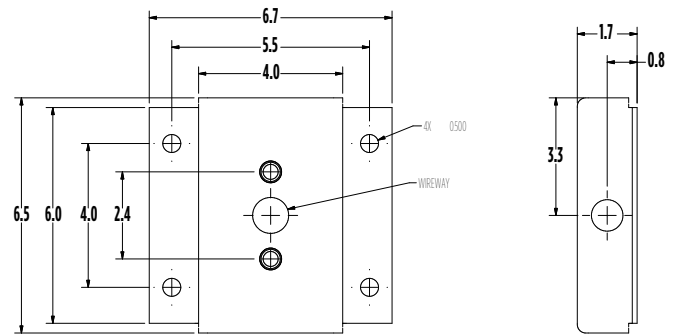


PRODUCT DIMENSIONS

BKA XBO WM



BKS B3 WM



BKS B2 WM

