



ADVANTAGE ROUND HIGH BAY 9 INCH Installation Guide

SAVE THESE INSTRUCTIONS



BEFORE YOU BEGIN

Read and follow all safety instructions

WARNING

RISK OF FIRE, EXPLOSION AND ELECTRIC SHOCK

This product should be installed, inspected, and maintained by a qualified electrician only, in accordance with the NEC (National Electric Code) and all local codes.

Turn off electrical power before inspection, installation or removal.

Use only UL (or other NRTL) approved wire for input/output connections. Minimum size 18 AWG or 14 AWG for continuous runs.

Make sure LEDs and drivers are cool to touch when performing maintenance. Make sure the supply voltage is the same as the rated voltage of the luminaire.

Do not install in a hazardous atmosphere, except where the ambient temperature does not exceed the rated operating temperature of the fixture.

Keep tightly closed when in operation



Prepare Electrical Wiring



Electrical Requirements

- The LED driver must be supplied with the voltage specified on the product label and connected to an individual, properly grounded branch circuit protected by a 20 Ampere circuit breaker. Use min. 75°C supply.



Grounding Instructions

- The grounding and bonding of the overall system shall be done in accordance with NEC Article 600 and local codes



ADVANTAGE ROUND HIGH BAY 9 INCH Installation Guide

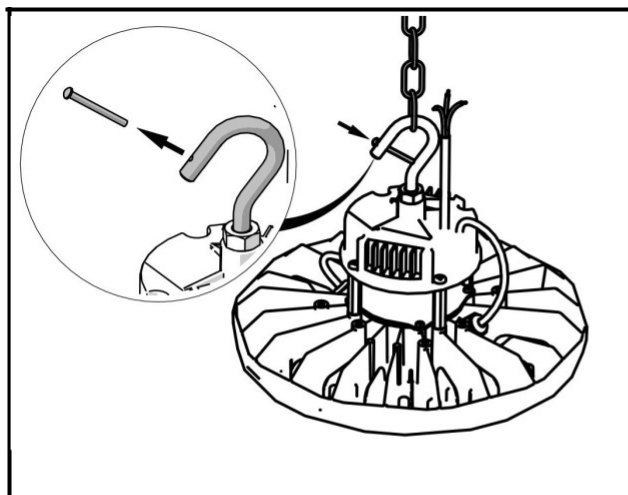
Before starting:

- Ensure that the supply power is shut off.
- Unpack the fixture and ensure that there are no damaged or missing parts

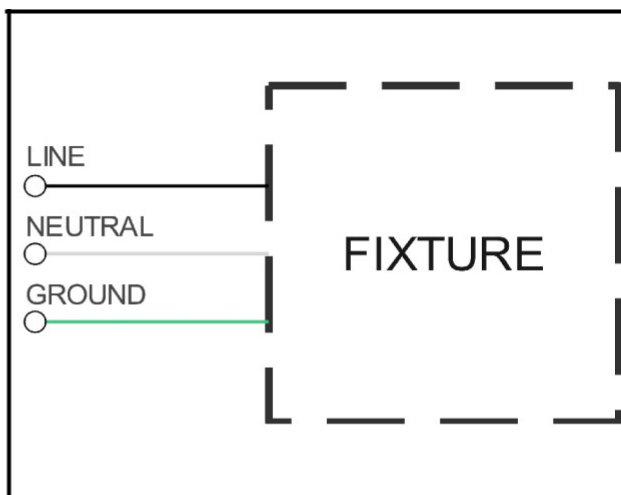
Tools Required:

- #2 Phillips Screw Driver
- Wire Strippers
- Wire Cutters

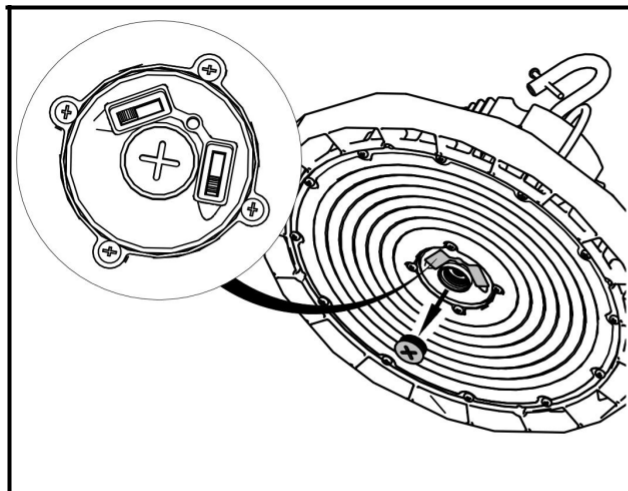
Standard Installation



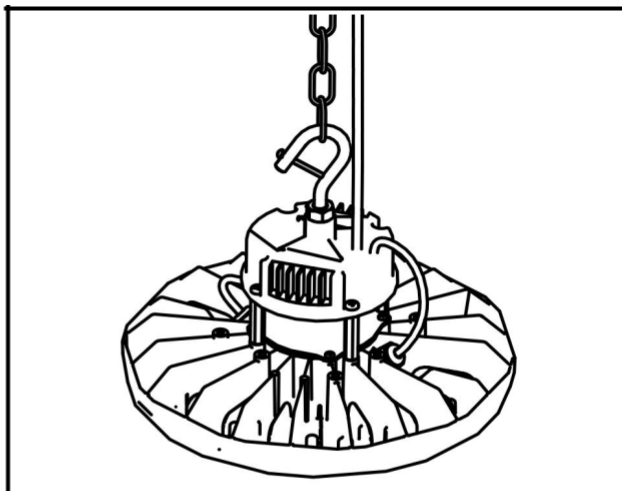
Step 1: Remove the locking screw from the fixture's hook and mount on a chain, cable, or eye bolt (Provided by others). Secure it by reinstalling the locking screw once the fixture is attached.



Step 2: Run the fixture cord to a junction box and make the wiring connections according to the wiring diagram.



Step 3: Locate the sensor plug and power/CCT adjustment switches on the bottom of the fixture. The optional sensor can be installed by removing the conduit plug and threading the sensor in place



Step 4: Adjust the power/CCT switches to the desired settings. Restore power and check that the fixture is working properly



ADVANTAGE ROUND HIGH BAY 9 INCH Installation Guide

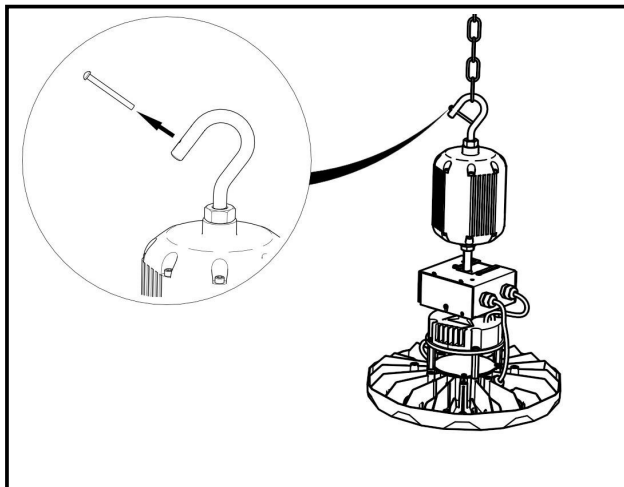
Before starting:

Ensure that the supply power is shut off.
Unpack the fixture and ensure that there are no damaged or missing parts

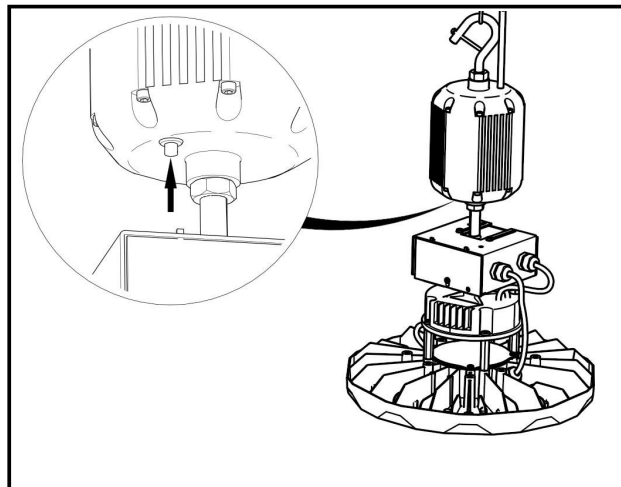
Tools Required:

#2 Phillips Screw Driver
Wire Strippers
Wire Cutters

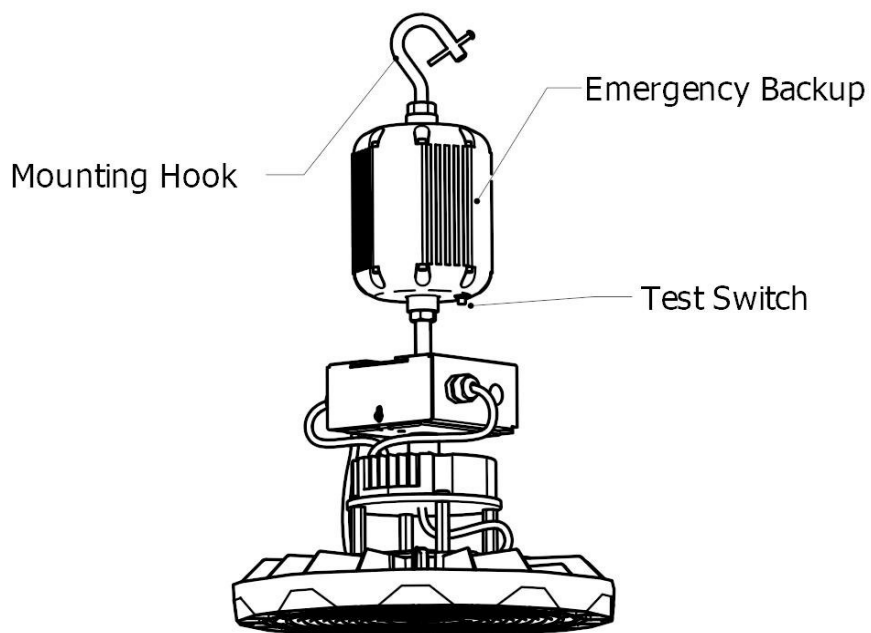
Installation with EM Backup



Step 1: Remove the locking screw from the fixture's hook and mount on a chain, cable, or eye bolt (provided by others). Secure it by reinstalling the locking screw once the fixture is attached.



Step 2: Run the EM power cord to a junction box and make the wiring connections according to the wiring diagrams on Page 4. Restore power and test the EM using the test switch.

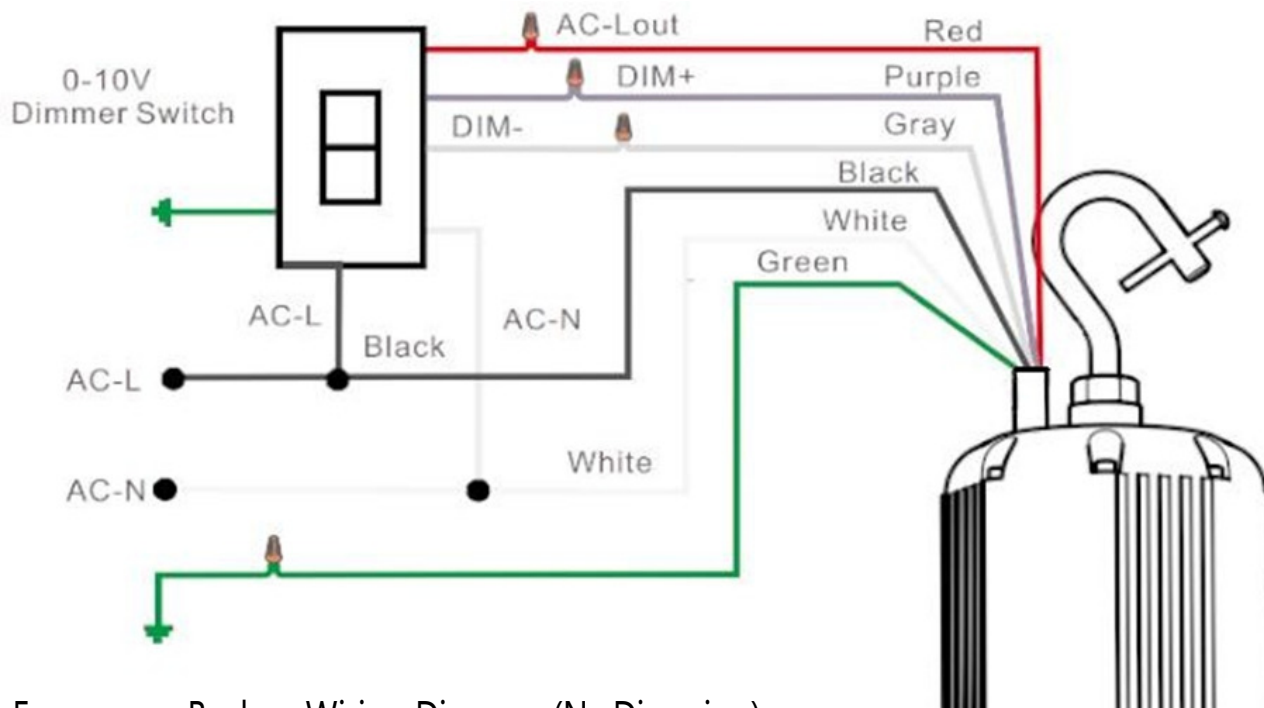




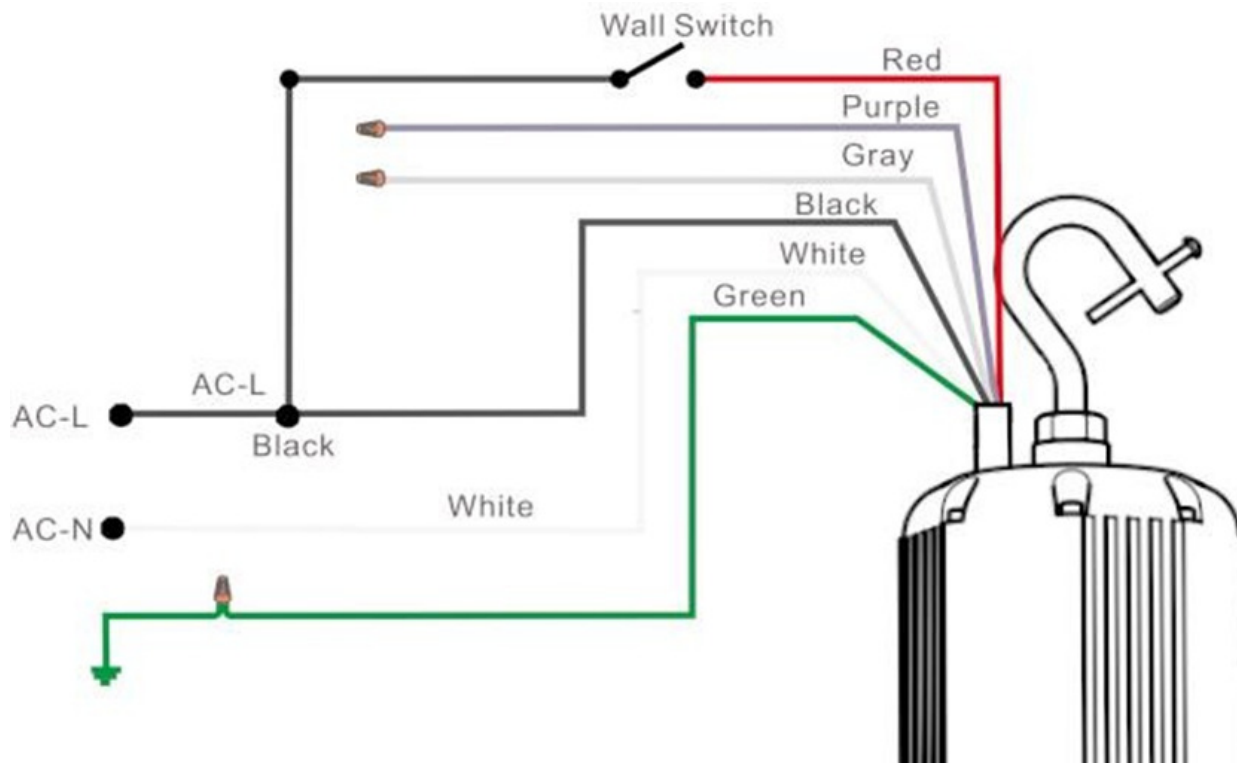
ADVANTAGE ROUND HIGH BAY 9 INCH

Additional Wiring Diagrams

Emergency Backup Wiring Diagram (Dimming)



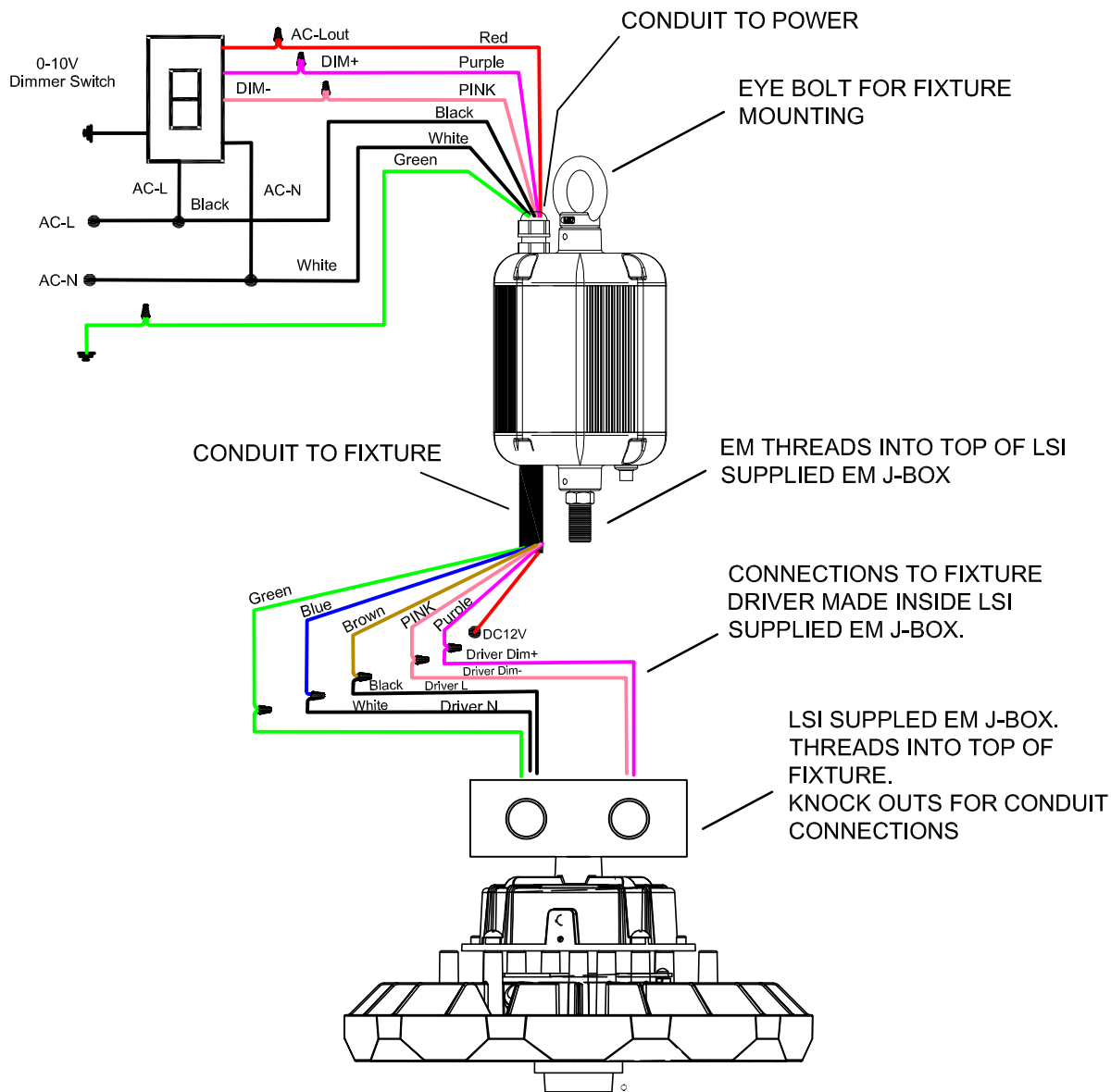
Emergency Backup Wiring Diagram (No Dimming)





ADVANTAGE ROUND HIGH BAY Installation Guide

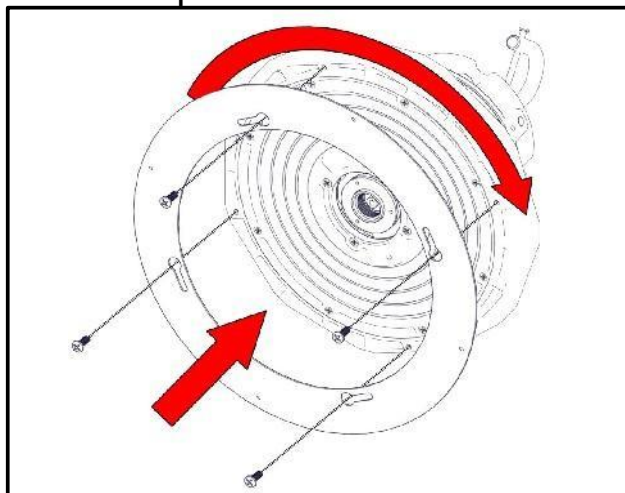
EM FIELD INSTALL.



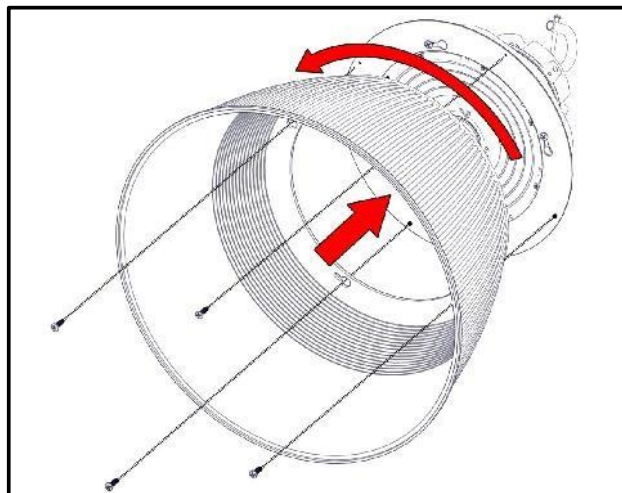


ADVANTAGE ROUND HIGH BAY 9 INCH

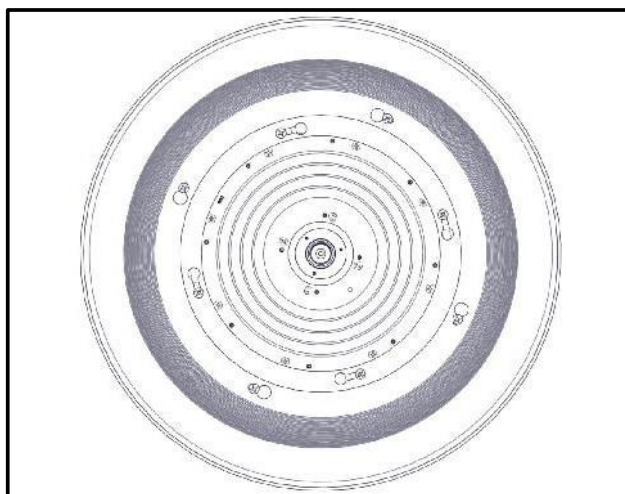
Lens Adaptor Installation



Step 1: Attach the adaptor ring with the four screws (provided). Rotate the adaptor clockwise before tightening the screws to lock the adaptor in place.



Step 2: Attach the lens to the adaptor ring with the four screws (provided). Rotate the adaptor counter-clockwise before tightening the screws to lock the adaptor in place.



Step 3: Check that the ring adaptor and lens are properly engaged and all screws are tightened securely.