



AirLink™ Blue Microwave Sensor (ALBCMWS)

Wireless Lighting Control



OVERVIEW

Signal (wireless)	Bluetooth
Signal Range ft	100
Coverage Range ft	32
Coverage Area ft ²	150
Operating Temperature F (C)	32 - 113 (0 - 45)

QUICK LINKS

FEATURES & SPECIFICATIONS

Description

- The AirLink Blue microwave motion and daylight harvesting sensor provides wireless lighting control based on motion and available ambient daylight. Multiple fixtures can be grouped to be controlled by a single sensor.
- Controls 0-10 VDC LED drivers and is rated for indoor installations.
- Control parameters are adjustable via an iOS App capable of storing and transmitting sensor profiles.
- Ceiling motion and daylight harvesting sensor utilizes a Bluetooth Low Energy (BLE) mesh network.
- Emits microwaves at 10.525 GHZ and uses the Doppler shift of the return waves to detect motion.
- The addition of an AirLink Blue Time Keeper adds the ability to schedule multiple events based on time of day or Astronomical clock.

Construction

- Sensor housing is white polycarbonate.
- Rated for indoor installations

Electrical

- Class 2 device with a 0-10V configurable dimming output
- Operates on 12-24 VDC from either a 120-277V power pack or auxiliary output driver
- Low voltage power provided by driver auxiliary outputs

Controls

- Multiple fixtures can be grouped and controlled by a single ceiling motion and daylight harvesting sensor.
- Programmable settings include motion sensing length of time delays and sensor sensitivity
- Parameter profiles, password protection and real time feedback from the sensor can speed up configuration and provide custom user control.
- Max sensor coverage area 8.2' radius at 8ft mounting height (5m at 2.5m mounting height). Results may vary based on mounting height, temperature, types of clothing and backgrounds.
- Max Bluetooth range is 100' (30m) line of sight and highly dependent on the integration of fixtures, surrounding environment. It is recommended to conduct testing for range accuracy.

Installation

- Designed for installation and integration into the housing of a luminaire.
- PIR detection is 360° coverage pattern and is best suited for areas with a clear line of sight and good air circulation.
- Operating temperature range of 0°C to +45°C (32°F to 113°F).

Warranty

- LSI luminaires carry a 5-year limited warranty. Refer to <https://www.lsicorp.com/resources/terms-conditions-warranty/> for more information.

Listings

- FCC
- IC
- Bluetooth
- CE
- UL

AirLink™ Blue
Technology Partner **SILVAIR**


AirLink™ Blue Microwave Sensor (ALBCMWS)


Type: _____

 **Have questions?** Call us at (800) 436-7800

ORDERING GUIDE

TYPICAL ORDER EXAMPLE: ALBCWS		
Prefix	Description	Part Number
ALBCMWS	AirLink Blue microwave motion sensor	789301

 Need more information?
Click here for our glossary

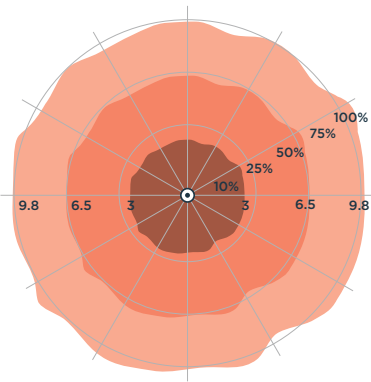
Have additional questions?
Call us at (800) 436-7800 

Note: Add catalog number suffix to the catalog number of compatible fixtures.

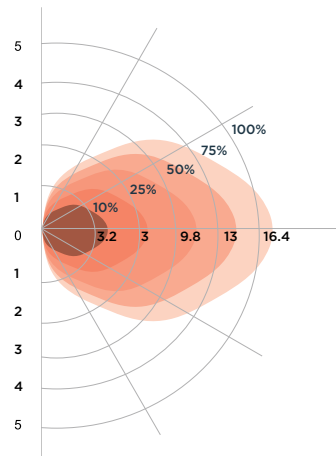
PERFORMANCE

Installation Height: 6.5 ft (2m) to 13.1 ft (4m) max. 19.6 ft (6m)

Ceiling Pattern (Unit: ft)



Wall Pattern (Unit: ft)

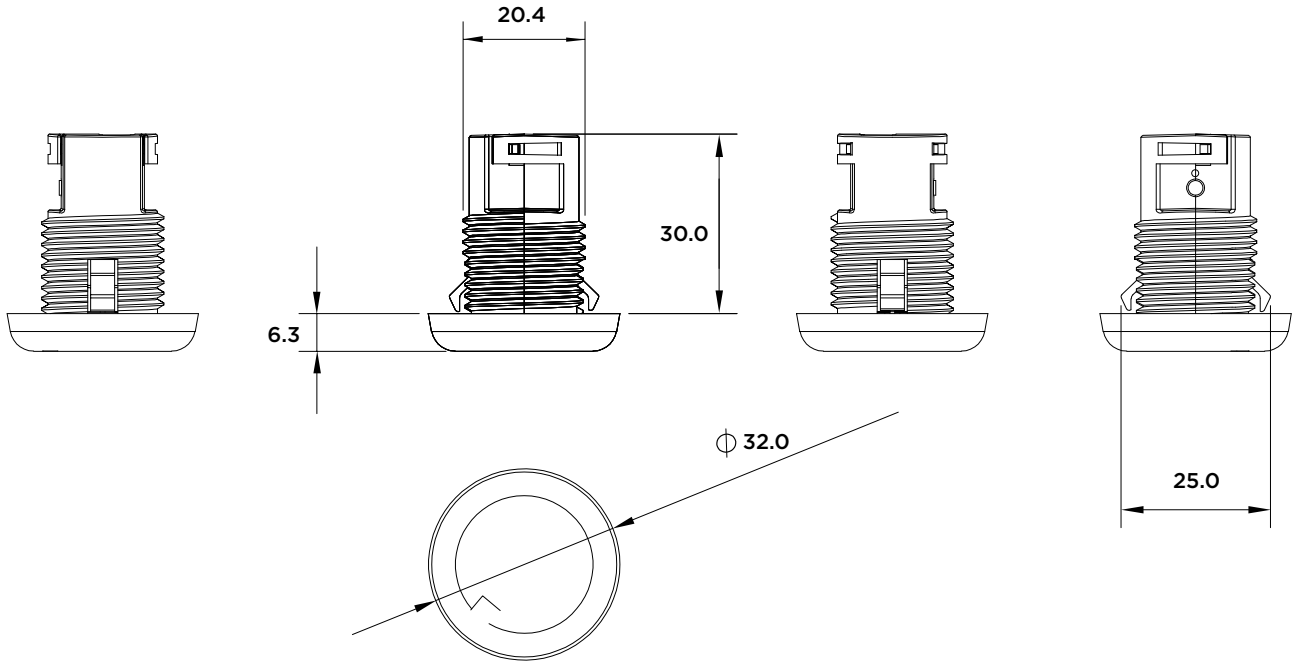


AirLink™ Blue Microwave Sensor (ALBCMWS)

Type: _____

 Have questions? Call us at (800) 436-7800

PRODUCT DIMENSIONS



WIRING

