

88 SERIES LED RETROFIT INSTALLATION AND ASSEMBLY

INSTRUCTIONS

UNIT TO BE RETROFIT INTO LSI PENDANT OR SURFACE MOUNT 88 SERIES FIXTURE .

WARNING! RISK OF FIRE OR ELECTRICAL SHOCK

Disconnect power before installing or servicing.

WARNING: Risk of fire or electrical shock. Luminaire wiring, power supply, or other electrical parts may be damaged when drilling for installation of retrofit assembly hardware. Inspect wiring or components for damage.

WARNING: Risk of fire or electric shock. Do not alter, relocate, or remove wiring, lampholders, power supply or any other electrical component.

WARNING: Risk of fire or electric shock. Installation of this retrofit assembly requires a person familiar with the construction and operation of the luminaire's electrical system and the hazards involved. If not qualified do not attempt installation. Contact a qualified electrician.

WARNING: Risk of fire or electrical shock. Install this kit only in the luminaires the have the construction features and dimensions shown on the drawings.

-Only those open holes indicated in the drawings may be made or altered as a result of kit installation. Do not leave any other open holes in an enclosure of wiring or electrical components.

-Verify that supply wiring voltage matches power supply voltage by comparing it with power supply label.

-Make all electrical and grounded connections in accordance with the National Electric Code (NEC) and any other applicable local code requirements.

-THE RETROFIT KIT IS ACCEPTED AS A COMPONENT OF A LUMINAIRE WHERE THE SUITABILITY OF THE COMBINATION SHALL BE DETERMINED BY CSA OR AUTHORITIES HAVING JURISDICTION.

-LED RETROFIT LUMINAIRE CONVERSION FOR USE ONLY IN LSI INDUSTRIES INC, MODEL 88 SERIES LUMINAIRES IN ACCORDANCE WITH THE INSTRUCTIONS PROVIDED WITH THIS RETROFIT KIT.

CAUTION: RISK OF INJURY.

- Wear gloves and safety glasses at all times when removing luminaire from carton, installing , servicing or performing maintenance.

-Allow lamp/luminaire/driver to cool before handling.

NOTICE: RISK OF PRODUCT DAMAGE- Failure to follow instructions could result in damage to product and void ALL warranties.

-Never connect components under load.

-Do NOT mount or support these fixtures in a manner that can cut the outer jacket or damage wire insulation.

-Do NOT restrict fixture ventilation. Allow for some volume of airspace around fixture. Avoid covering LED fixtures with insulation, foam, or other material that will prevent convection of conduction cooling.



LSI INDUSTRIES INC.
10000 Alliance Road
Cincinnati, Ohio 45242
(513)793-3200 Fax (513)793-0147
www.lsi-industries.com

A Company with a Smart Vision

Installation Questions?
Call LSI Field Service Department at:
1-800-436-7800 Ext. 3300 Fax 877-861-1368

88 SERIES LED RETROFIT INSTALLATION AND ASSEMBLY INSTRUCTIONS

UNIT TO BE RETROFIT INTO LSI PENDANT OR SURFACE MOUNT 88 SERIES FIXTURE .

WARNING: Before proceeding, read all instructions carefully to insure proper and safe installation.

WARNING: Risk of fire or electrical shock. Disconnect power before installing or servicing.

WARNING: Risk of electrical shock. High temperatures inside luminaire. Make certain line voltage corresponds with ballast's primary voltage. (See ballast label).

WARNING: Risk of fire or electric shock. Install this kit only in the luminaires that has the construction features and dimensions shown in the photographs and/or drawings.

WARNING: Risk of fire or electric shock. Reflector kit installation requires knowledge of luminaires electrical systems. If not qualified, do not attempt installation. Contact a qualified electrician.

WARNING: This product must be installed in accordance with the applicable installation code by a person familiar with construction and operation of the product and the hazards involved.

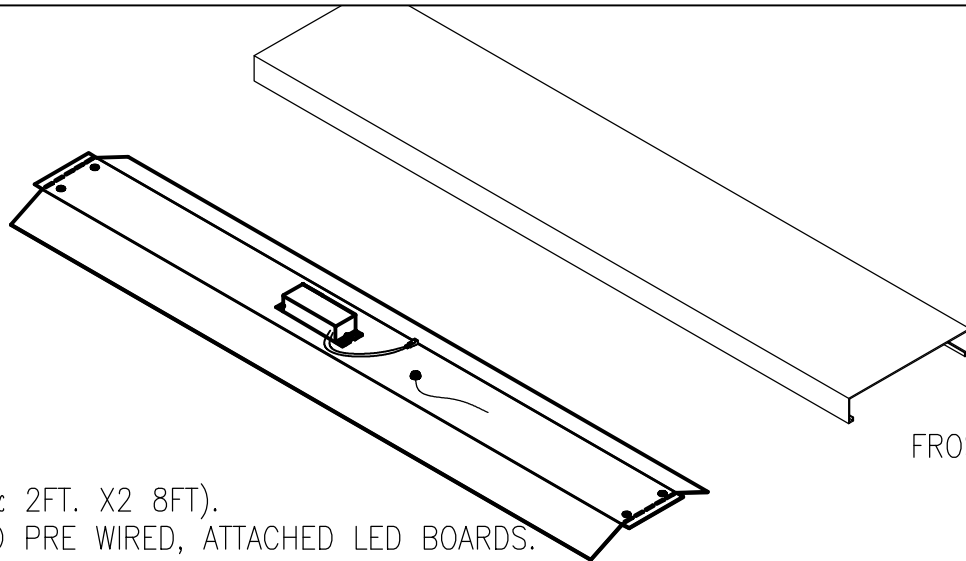
WARNING: To prevent wiring damage or abrasion, do not expose wiring to edges of sheet metal or other sharp objects.

IMPORTANT: When removing lamps, always wear eye protection. Make sure area below fixture is clear.

IMPORTANT: Not every unit is identical! Placement of proper luminaire section (by length, emergency option, etc.) within each row is important. Refer to layout drawing to verify row identification, product location, and feed points!

Note: Do not make or alter any open holes in an enclosure of wiring or electrical components during kit installation.

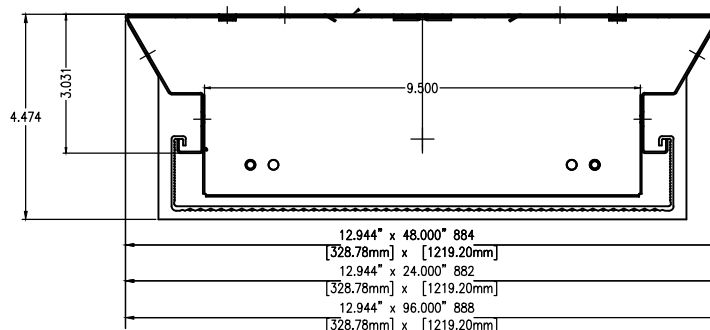
1.) CHECK PARTS LIST.



FROSTED LENS (X1).

LED PANEL (X1 4FT & 2FT. X2 8FT).

INCLUDES: DRIVER AND PRE WIRED, ATTACHED LED BOARDS.
QUICK CONNECT, GROUND WIRE.



2.) RETROFIT KIT IS DESIGNED TO FIT THE LSI 88 SERIES FIXTURE WITH THESE DIMENSIONS. LSI RECOMMENDS A TRIAL INSTALLATION PRIOR TO PURCHASING FULL QUANTITIES.



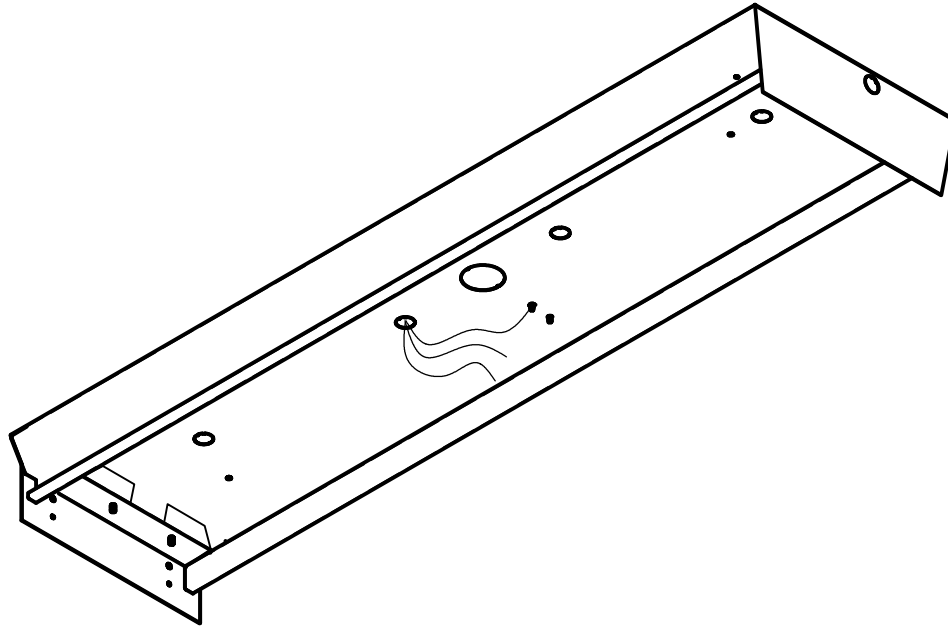
LSI INDUSTRIES INC.
10000 Alliance Road
Cincinnati, Ohio 45242
(513)793-3200 Fax (513)793-0147
www.lsi-industries.com

A Company with a *Smart Vision*

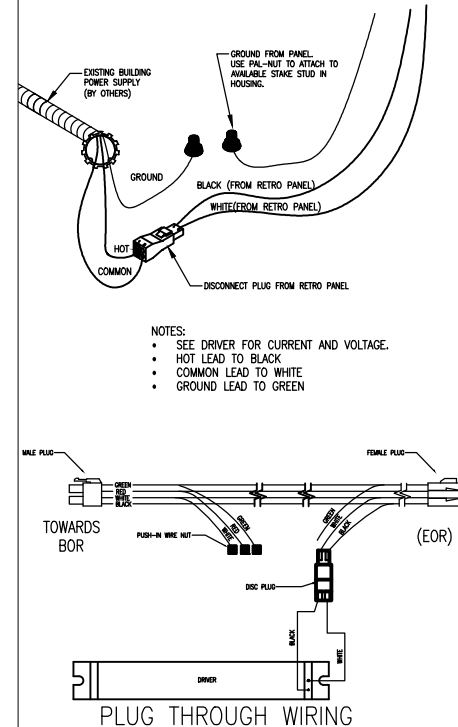
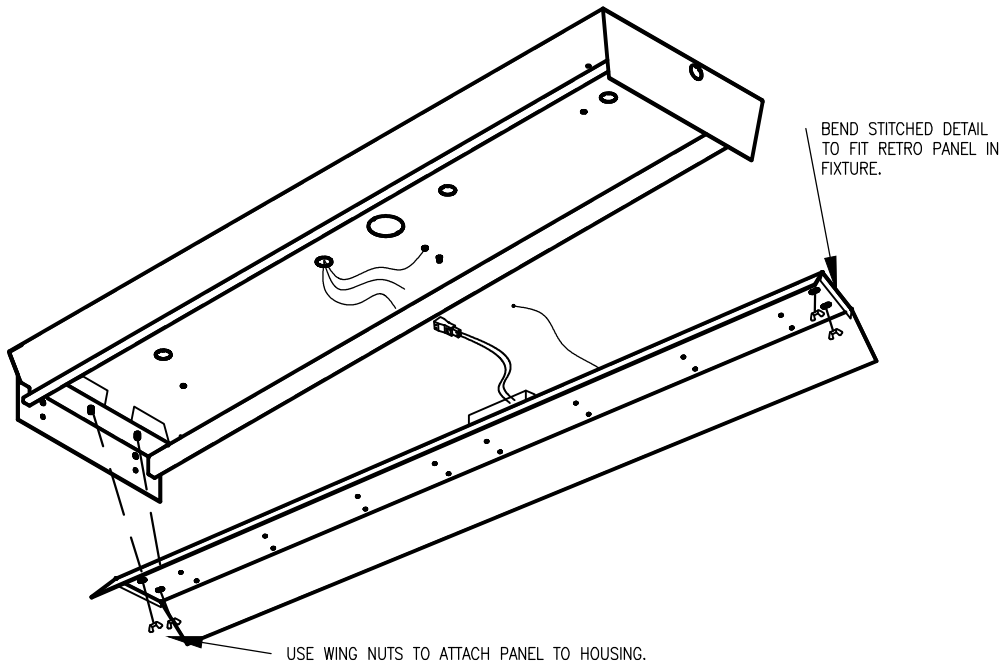
Installation Questions?
Call LSI Field Service Department at:
1-800-436-7800 Ext. 3300 Fax 877-861-1368

Page 2 of 4
P# 547272

88 LED RETROFIT INSTALLATION AND ASSEMBLY INSTRUCTIONS (Cont.)



3.) SHUT OFF POWER TO EXISTING FIXTURE. REMOVE EXISTING LENS, REFLECTOR, LAMPS, BALLAST COVERS, LAMPHOLDERS, LAMPHOLDER WIRING, BALLAST, THAT APPLY TO FIXTURE IN CEILING AND DISPOSE/RECYCLE APPROPRIATELY PER STATE AND LOCAL CODES.



4.) MAKE ELECTRICAL CONNECTIONS AS SHOWN. BEND STITCH DETAIL ON RETROFIT PANEL TO FIT PANEL IN HOUSING APERTURE. USE WING NUTS TO SECURE RETROFIT PANEL TO THE EXISTING STAKE STUDS IN THE HOUSING.

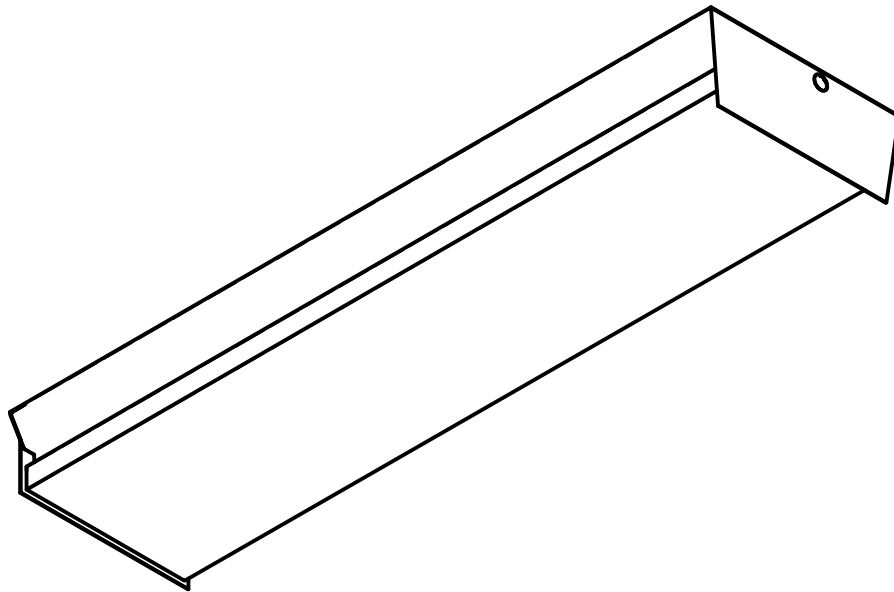
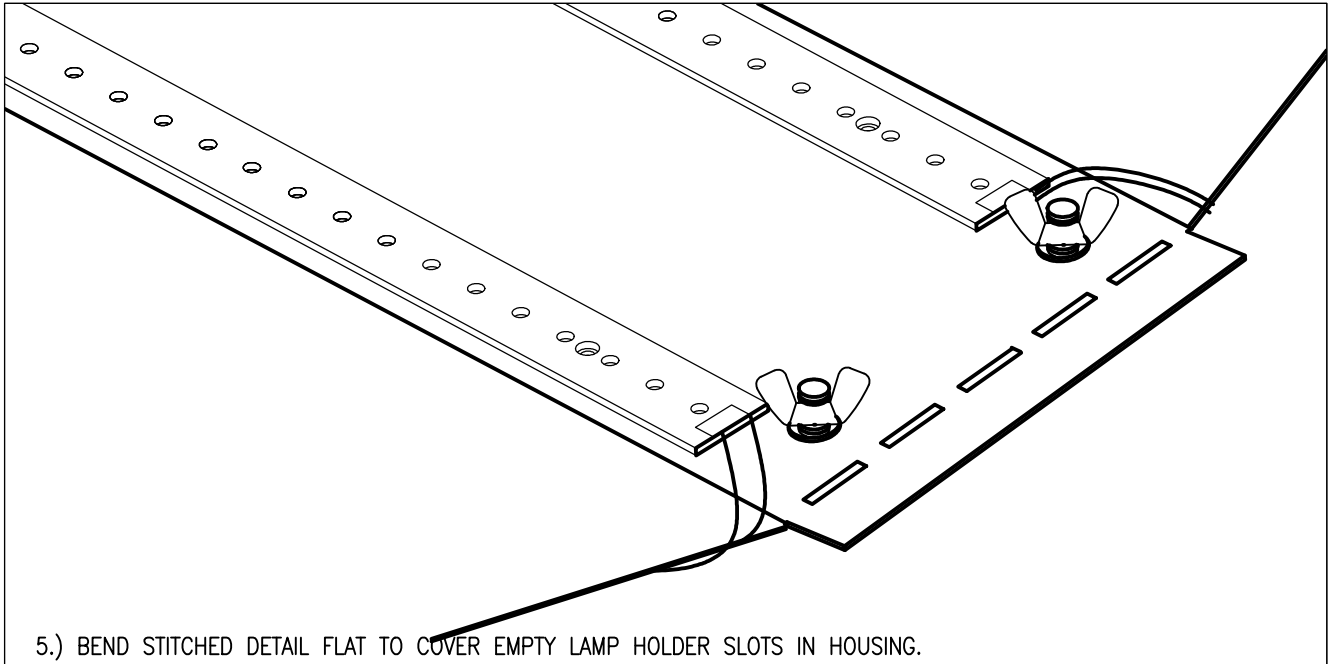


LSI INDUSTRIES INC.
10000 Alliance Road
Cincinnati, Ohio 45242
(513)793-3200 Fax (513)793-0147
www.lsi-industries.com

A Company with a *Smart Vision*

Installation Questions?
Call LSI Field Service Department at:
1-800-436-7800 Ext. 3300 Fax 877-861-1368

88 LED RETROFIT INSTALLATION AND ASSEMBLY INSTRUCTIONS (Cont.)



6.) ATTACH FROSTED LED LENS TO FIXTURE. RETROFIT SYSTEM READY TO BE ENERGIZED.



LSI INDUSTRIES INC.
10000 Alliance Road
Cincinnati, Ohio 45242
(513)793-3200 Fax (513)793-0147
www.lsi-industries.com

Installation Questions?
Call LSI Field Service Department at:
1-800-436-7800 Ext. 3300 Fax 877-861-1368

A Company with a Smart Vision