



Catalog # : \_\_\_\_\_ Project : \_\_\_\_\_ Type : \_\_\_\_\_

Prepared By : \_\_\_\_\_ Date : \_\_\_\_\_

# BKS PQM\*

## Area Light Brackets



### OVERVIEW

EPA	0.2
Size (LxWxH)	3.9x1.8x8
Weight lbs	5 lbs

### FEATURES & SPECIFICATIONS

- The Pole Quick Mount Bracket allows for lightning fast installation of LSI luminaires onto existing and new construction poles with LSI's B3 or B5 standard bolt patterns.
- Allows you to seamlessly integrate LSI Luminaires onto existing/new construction square and round poles with (2) mounting hole spaces between 2.4: to 4.6".
- Rugged, thick gauge steel plates with (1) fixed and (1) adjustable nut and mounting hardware.
- Bracket finished with LSI's DuraGrip polyester powder coat finishing process. The DuraGrip finish withstands extreme weather changes without cracking or peeling. Other standard LSI finishes available. Consult factory.

### COMPATIBLE FIXTURES



MRL/ZNL



MRM/ZNM



SLM/ZNX

### TYPICAL ORDER EXAMPLE: BKS PQMH B2 SQ BLK

Prefix	Mounting	Pole Shape	Finish
<b>BKS PQMH</b> - Pole Quick Mount Bracket	<b>B3B5</b> - 3" and 5" Drilling Pattern <b>B2</b> - 2" Drilling Pattern	<b>SQ</b> - Square <b>RND</b> - Round	<b>BRZ</b> - Bronze <b>BLK</b> - Black <b>MSV</b> - Metallic Silver <b>GPT</b> - Graphite <b>WHT</b> - White <b>SVG</b> - Satin Verde Green <b>PLP</b> - Platinum Plus



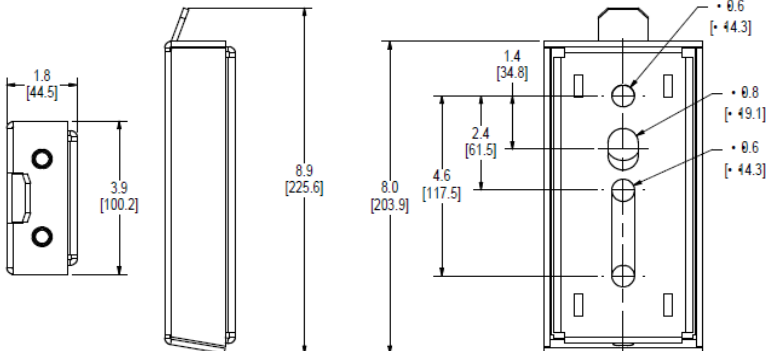
Need more information?  
[Click here for our glossary](#)

Have additional questions?  
Call us at (800) 436-7800



### PRODUCT DIMENSIONS

PQM Drill Pattern



PQM15 Drill Pattern

