

Installation and Assembly Instructions SCM/SCV Series Retrofit to Scottsdale

⚠️ WARNING

Risk of fire, electric shock, injury or property damage

Risk of electric shock--Disconnect power to equipment before installing or servicing.

Risk of fire or electric shock. Install this kit only in luminaires that have the construction features and dimensions shown in drawings and where the input rating of the retrofit kit does not exceed the input rating of the luminaire.

To prevent wiring damage or abrasion, do not expose wiring to edges of sheet metal or other sharp objects.

This equipment must be installed according to all applicable codes & ordinances.

Installation and service of this equipment must be performed by qualified service personnel.

Do not install damaged equipment.

Read these instructions before installing, servicing or maintaining this equipment.

Save these instructions for maintaining and servicing.

⚠️ CAUTION

Failure to follow instructions or altering equipment could result in damage and void warranty.

Edges may cut--wear gloves while handling or servicing this equipment.

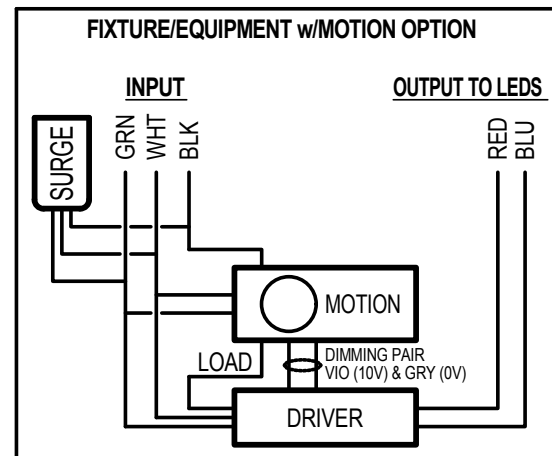
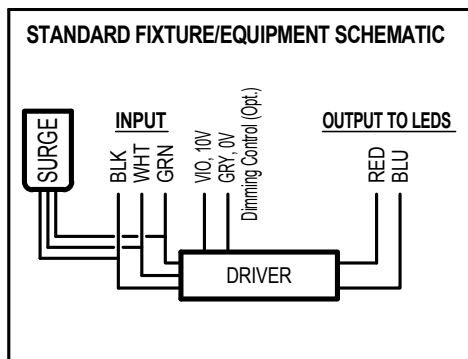
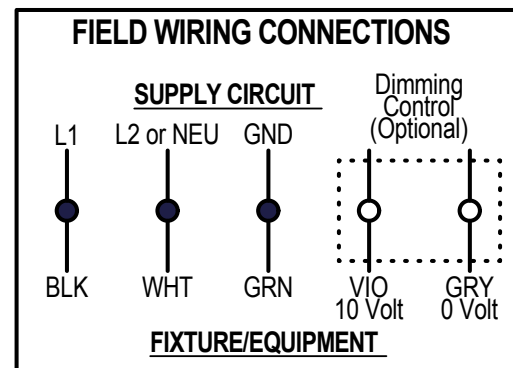
Inspect equipment for damage from shipping and handling.

THIS RETROFIT KIT IS ACCEPTED AS A COMPONENT OF A LUMINAIRE WHERE THE SUITABILITY OF THE COMBINATION SHALL BE DETERMINED BY AUTHORITIES HAVING JURISDICTION.

LUMINAIRE PREPARATION

- Remove the luminaire from the carton and inspect luminaire for damage. Do not install a damaged luminaire.

WIRING INFORMATION

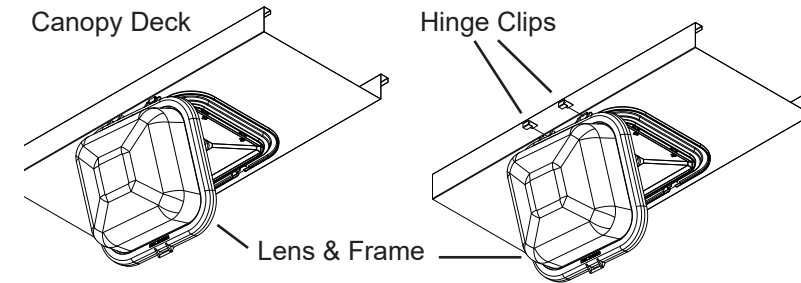


Installation Questions
Call LSI Field Service Dept.
800-436-7800 ext. 3300

Installation and Assembly Instructions SCM/SCV Series Retrofit to Scottsdale

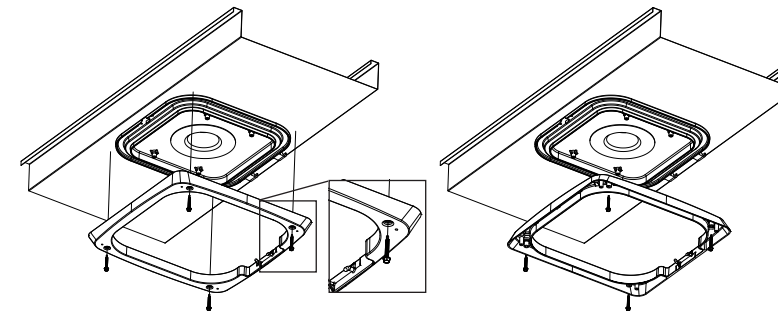
KIT includes the following:
Transition Frame, Wire Guide, Tether, (4) Screws to attach new Luminaire, (1) Screw for Tether.

STEP 1: Existing Scottsdale Luminaire. Remove Lens and Frame



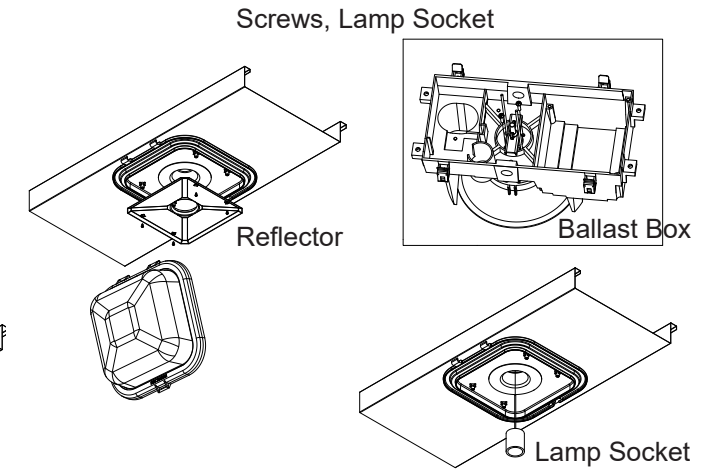
- Remove Hinge Clips from the hinges.
- Swing open the Scottsdale Lens & Frame. Remove the Lens & Frame from the luminaire.

STEP 3: Attach New Transition Frame



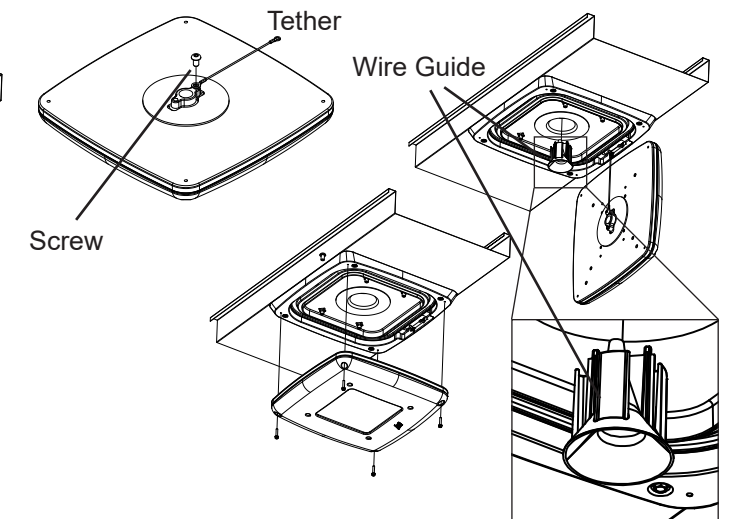
- Attach Transition Frame to Canopy with (4) screws; (4) screws pass through the clearance holes in the frame. **Orientation of Transition Frame is based on whether the new luminaire is a SCM or SCV fixture.**

STEP 2: Remove Reflector and Lamp Socket



- Remove Lamp.
- Remove the Reflector from the luminaire.
- Remove the Lamp Socket from the luminaire by removing the two socket screws located on the top in the Ballast Box compartment.

STEP 4: Attach New SCM or SCV Luminaire and Make Wiring Connections



- Attach Tether to the back of the SCM or SCV luminaire using screw.
- Hang SCM or SCV luminaire using Tether by hooking onto the Transition Frame.
- Orient Wire Guide so wire holes are aligned with Scottsdale Luminaire wire holes. Insert Wire Guide into Scottsdale Luminaire.
- Feed the SCM or SCV luminaire wires through the Wire Guide into the Ballast Box.
- Attach SCM or SCV luminaire to Transition Frame with (4) screws.
- Unwire primary leads from existing ballast and make primary wiring connections to new luminaire. Existing ballast components can remain in Ballast Box. Replace Ballast Box Cover.