

Installation and Assembly Instructions SCM Series Pendant Mount



⚠️ WARNING

Risk of fire, electric shock, injury or property damage

Risk of electric shock--Disconnect power to equipment before installing or servicing.
This equipment must be installed according to all applicable codes & ordinances.
Installation and service of this equipment must be performed by qualified service personnel.
Do not install damaged equipment.
Read these instructions before installing, servicing or maintaining this equipment.
Save these instructions for maintaining and servicing.

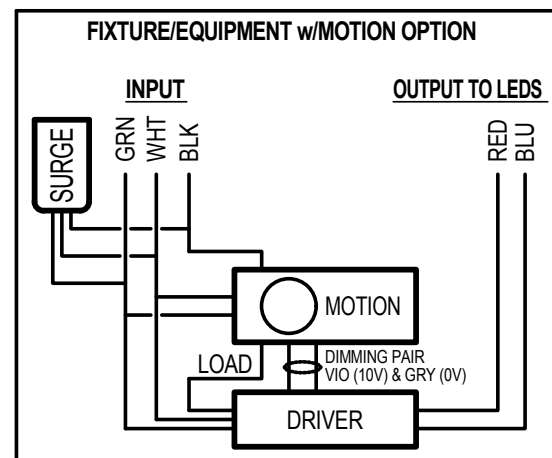
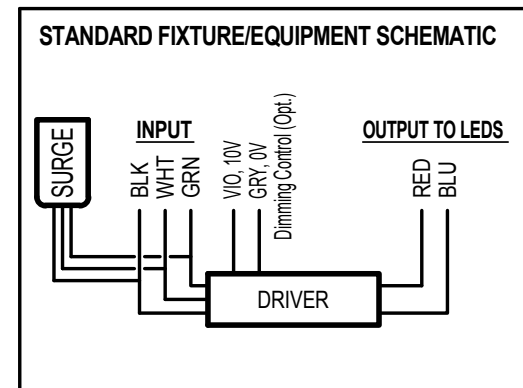
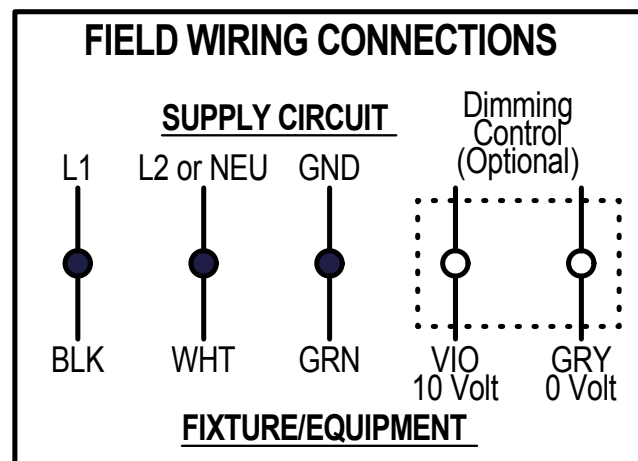
⚠️ CAUTION

Failure to follow instructions or altering equipment could result in damage and void warranty.
Edges may cut--wear gloves while handling or servicing this equipment.
Inspect equipment for damage from shipping and handling.

LUMINAIRE PREPARATION

1. Remove the luminaire from the carton and inspect luminaire for damage. Do not install a damaged luminaire.

WIRING INFORMATION

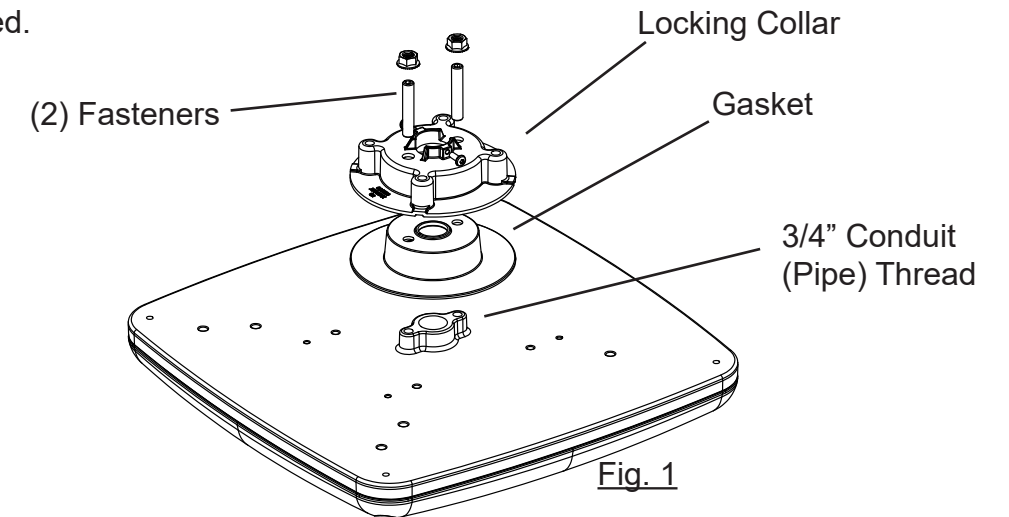


Installation Questions
Call LSI Field Service Dept.
800-436-7800 ext. 3300

Installation and Assembly Instructions SCM Series Pendant Mount

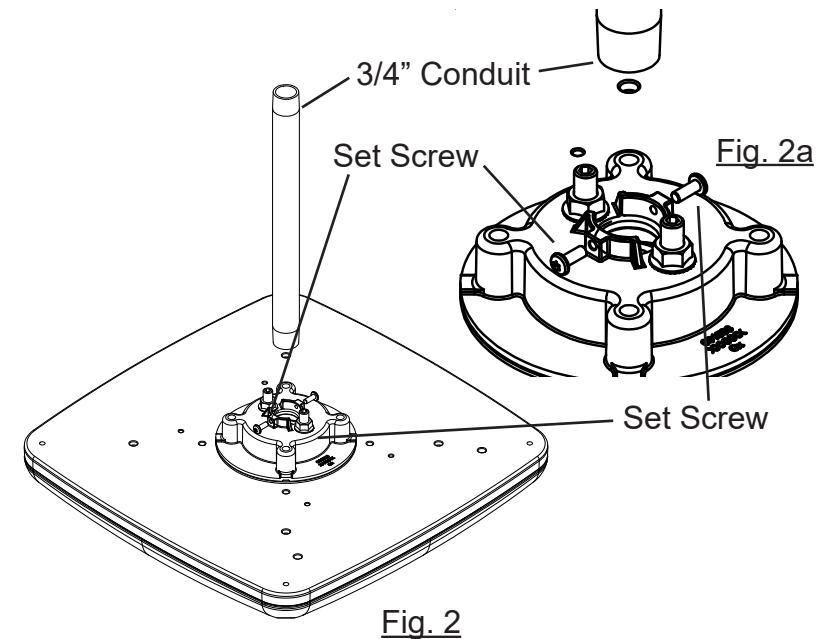
Step 1 (Fig. 1 & 1a)

1. Place Cover Plate on back of luminaire.
2. Fasten Locking Collar and Gasket to Luminaire using (2) fasteners provided.



Step 2 (Fig. 2 & 2a)

1. Feed wires through Conduit.
2. Insert Conduit through Lock Collar/Gasket and thread into Luminaire. Tighten Conduit.
3. Tighten Set Screws (2 provided) securing Conduit.



Optional Bird Guard (Fig. 3)

1. Position two halves of bird guard around stem.
2. Insert tabs in slot and bend tab over.
3. Fasten bird guard to top of luminaire with (4) screws.

