

Installation and Assembly Instructions

SCM Series Retrofit to Encore or Scottsdale Flat Cut-Out (12" & 16" wide deck)

⚠️ WARNING

Risk of fire, electric shock, injury or property damage

Risk of electric shock--Disconnect power to equipment before installing or servicing.

Risk of fire or electric shock. Install this kit only in luminaires that have the construction features and dimensions shown in drawings and where the input rating of the retrofit kit does not exceed the input rating of the luminaire.

To prevent wiring damage or abrasion, do not expose wiring to edges of sheet metal or other sharp objects.

This equipment must be installed according to all applicable codes & ordinances.

Installation and service of this equipment must be performed by qualified service personnel.

Do not install damaged equipment.

Read these instructions before installing, servicing or maintaining this equipment.

Save these instructions for maintaining and servicing.

⚠️ CAUTION

Failure to follow instructions or altering equipment could result in damage and void warranty.

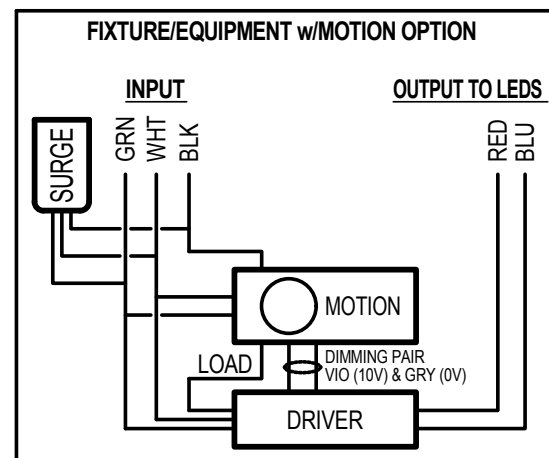
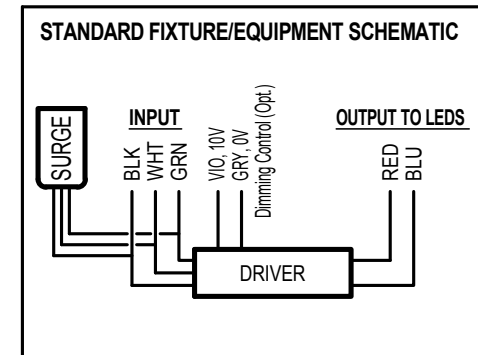
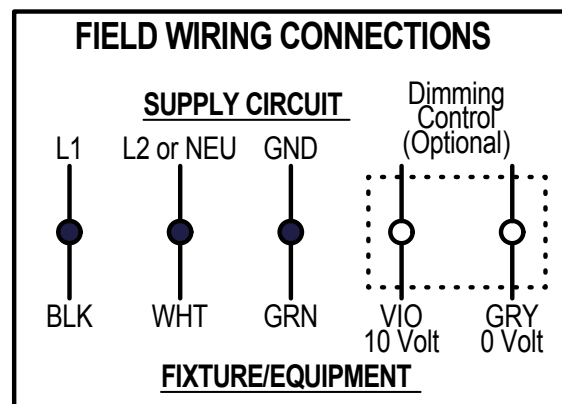
Edges may cut--wear gloves while handling or servicing this equipment.

Inspect equipment for damage from shipping and handling.

LUMINAIRE PREPARATION

- Remove the luminaire from the carton and inspect luminaire for damage. Do not install a damaged luminaire.

WIRING INFORMATION



Installation Questions
 Call LSI Field Service Dept.
 800-436-7800 ext. 3300

Installation and Assembly Instructions

SCM Series Retrofit to Encore or Scottsdale Flat Cut-Out (12" & 16" wide deck)

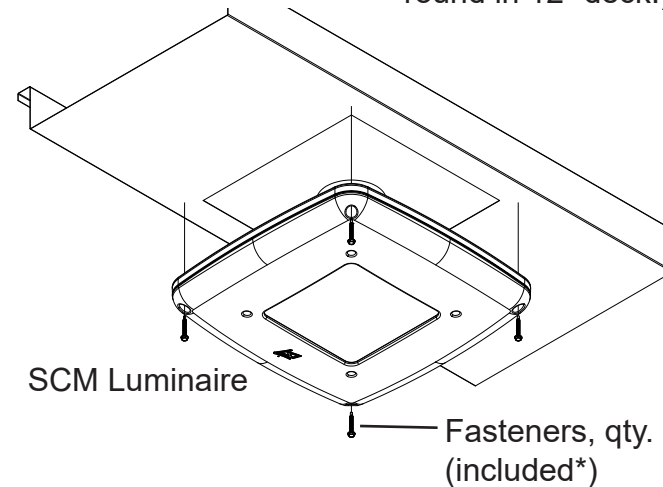
Encore KIT (Part# 673425 for 16"; Part # 676011 for 12") includes the following:

- Plate and Sealant

STEP 1: Remove existing Encore or Scottsdale Flat Luminaire from canopy deck.

STEP 2: Install SCM luminaire to Canopy Deck Opening

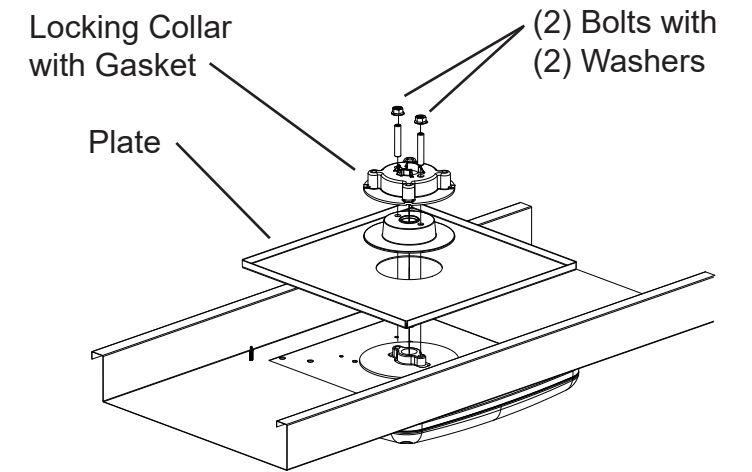
Canopy Deck with existing cut-out from Encore or Scottsdale Flat, (max. opening 12" square in 16" deck, max. opening 9" round in 12" deck.)



*Fasteners provided for single deck steel canopies specifically. Suitability, strength, and installation workmanship of fasteners for any canopy/surface is the ultimate responsibility of the installing contractor. Other suitable fasteners may be required--provided by others.

Installation Questions
 Call LSI Field Service Dept.
 800-436-7800 ext. 3300

STEP 3: Align Plate over (4) Fasteners and Attach Locking Collar



- Plate and fasteners require sealant (provided) to prevent water leaking to bottom of canopy.
- Install 3/4" threaded conduit and junction box (by others) making sure conduit threads are properly sealed preventing water entry into wireway.
- Make primary field wiring connections to SCV luminaire leads.

Optional Junction Box and 3/4" Conduit for Wiring Connections, Part# 673429

