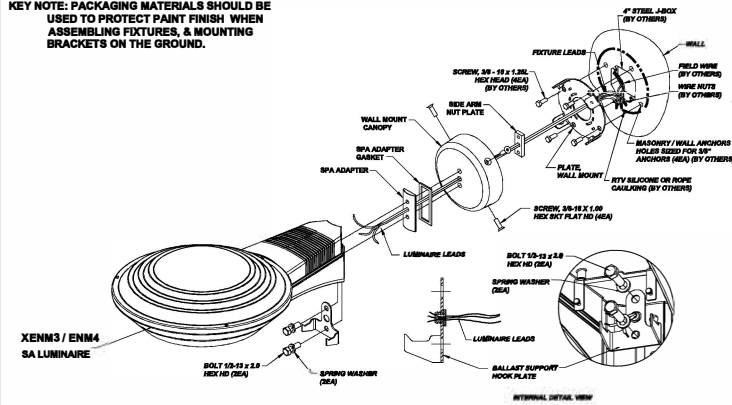


ENTERPRISE SA WM SERIES WALL MOUNTING BRACKET INSTRUCTIONS

WARNING: BEFORE PROCEEDING, READ ALL INSTRUCTIONS CAREFULLY TO INSURE PROPER AND SAFE INSTALLATION.
WARNING: RISK OF FIRE OR ELECTRICAL SHOCK. DISCONNECT POWER BEFORE INSTALLING OR SERVICING.
WARNING: RISK OF ELECTRICAL SHOCK. HIGH TEMPERATURES INSIDE LUMINAIRE. MAKE CERTAIN LINE VOLTAGE CORRESPONDS WITH BALLAST'S PRIMARY VOLTAGE. (SEE BALLAST LABEL)
WARNING: ALL WIRING TO BE PERFORMED PER NATIONAL ELECTRICAL CODE AND LOCAL CODE BY A QUALIFIED ELECTRICIAN.
IMPORTANT: WHEN LAMPING, ALWAYS WEAR EYE PROTECTION.
NOTE: IF LAMP IS INSTALLED DIRTY, OPERATING HOURS AND PERFORMANCE WILL SIGNIFICANTLY DECREASE.
NOTE: KEEP THESE INSTRUCTIONS FOR FUTURE REFERENCE.
WARNING: VERIFY THE EXISTING INPUT VOLTAGE AND CHOOSE MATCHING VOLTAGE ON MULTI-TAP BALLAST BEFORE WIRING. MAKE CERTAIN ALL UNUSED LEADS ARE CAPPED INDIVIDUALLY! FAILURE TO DO SO MAY SHORT OUT LUMINAIRE AND VOID WARRANTY!
NOTE: FIELD MOUNTING CONNECTIONS ARE TO BE MADE IN SUCH A MANNER SO AS TO EXCLUDE WATER FROM WIRE WAY.
IMPORTANT: FOR USE WITH LSI'S MODEL XENM3 AND ENM4 SA ONLY.

ASSEMBLY TOOLS REQUIRED: 3/4" OPEN END WRENCH, 3/16" HEX KEY, 7/32" HEX

KEY NOTE: PACKAGING MATERIALS SHOULD BE USED TO PROTECT PAINT FINISH WHEN ASSEMBLING FIXTURES, & MOUNTING BRACKETS ON THE GROUND.



- ⚠ MAKE CERTAIN FIXTURE DOES NOT TWIST WHEN TIGHTENING BOLTS. FAILURE TO KEEP STRAIGHT WILL RESULT IN LUMINAIRE HANGING OUT OF SQUARE.**
1. REFER TO LUMINAIRE ASSEMBLY INSTRUCTIONS FOR PROPER FIELD INSTALLATION OF FIXTURE. FEED FIXTURE LEADS AS SHOWN THRU ADAPTER, GASKET, & WM CANOPY. INSTALL 2EA 1/2-13 X 2.0 BOLTS, SCREW INTO NUTPLATE. TIGHTEN BOLTS TO 35-40 FT/LBS TORQUE.
 2. MOUNT WALL MOUNT PLATE OVER 4" STEEL BOX AS SHOWN WITH ANCHORS. WIRE LUMINAIRE TO ELECTRICAL SERVICE.
 3. MOUNT LUMINAIRE/ SA WM BRACKET ASSY TO WALL MOUNT PLATE WITH 4EA 3/8-16 HEX SKT CAP SCREWS. TIGHTEN SCREWS TO 18-12 FT/LBS TORQUE.
 4. USE RTV SILICONE OR ROPE CAULKING TO SEAL WALL MOUNT HOUSING TO WALL TO AVOID WATER ENTRY INTO STRUCTURE.



LSI Industries Inc. • 10000 Alliance Road • Cleveland, OH 44124 • 815-783-3200 • www.lsi-industries.com • Fax (215) 984-9147

**INSTALLATION QUESTIONS?
CALL LSI FIELD SERVICE
800-436-7800 EXT 3300
FAX 513-984-8723**

P/N 388133 3/11

Latest Release