

Installation and Assembly Instructions SCM Series Surface Mount Box



⚠️ WARNING

Risk of fire, electric shock, injury or property damage

Risk of electric shock--Disconnect power to equipment before installing or servicing.
This equipment must be installed according to all applicable codes & ordinances.
Installation and service of this equipment must be performed by qualified service personnel.
Do not install damaged equipment.
Read these instructions before installing, servicing or maintaining this equipment.
Save these instructions for maintaining and servicing.

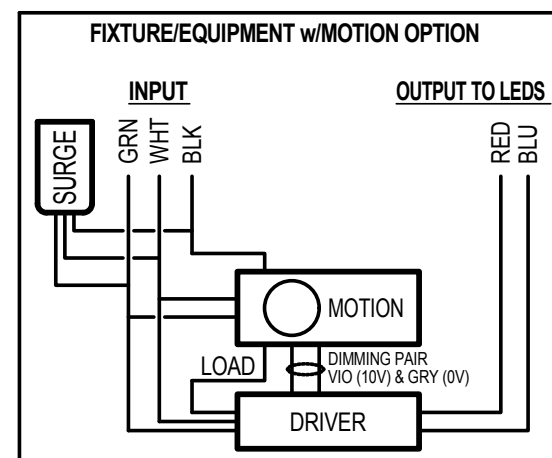
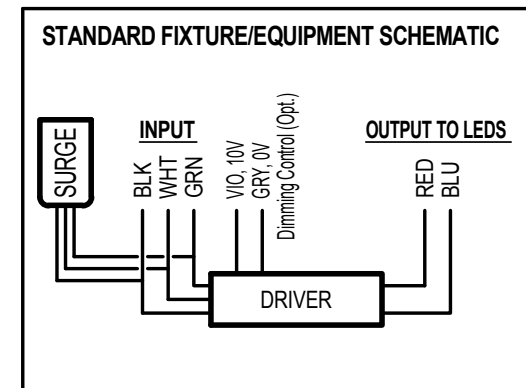
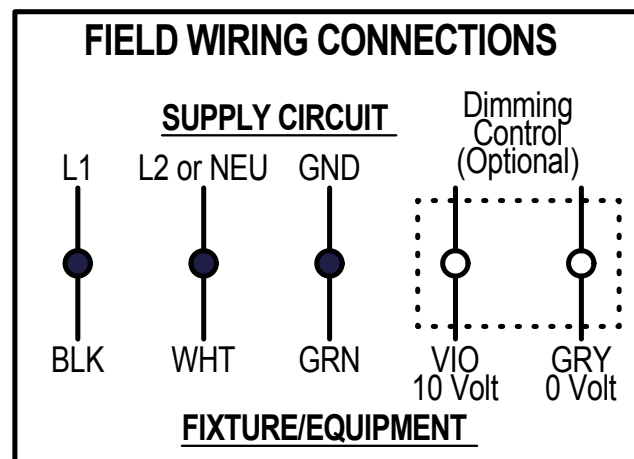
⚠️ CAUTION

Failure to follow instructions or altering equipment could result in damage and void warranty.
Edges may cut--wear gloves while handling or servicing this equipment.
Inspect equipment for damage from shipping and handling.

LUMINAIRE PREPARATION

1. Remove the luminaire from the carton and inspect luminaire for damage. Do not install a damaged luminaire.

WIRING INFORMATION

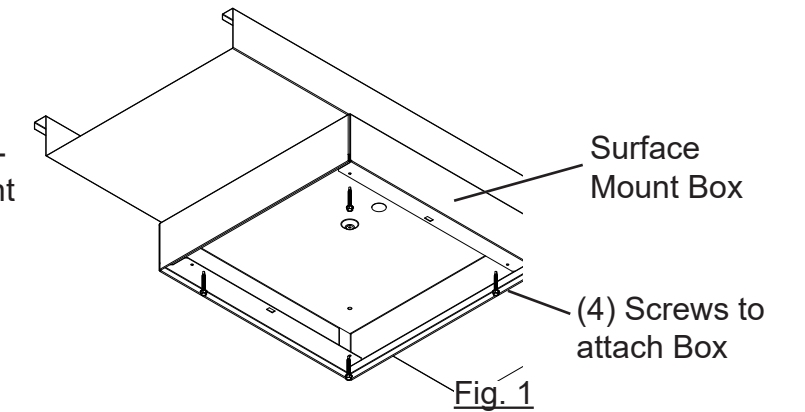


Installation Questions
Call LSI Field Service Dept.
800-436-7800 ext. 3300

Installation and Assembly Instructions SCM Series Surface Mount Box

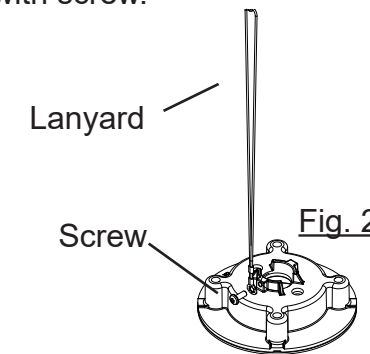
Step 1 (Fig. 1)

1. Attach Surface Mount Box to Canopy.
2. **Important!**--Make sure to apply sealant (by others) ensuring no water enters into surface mount box.



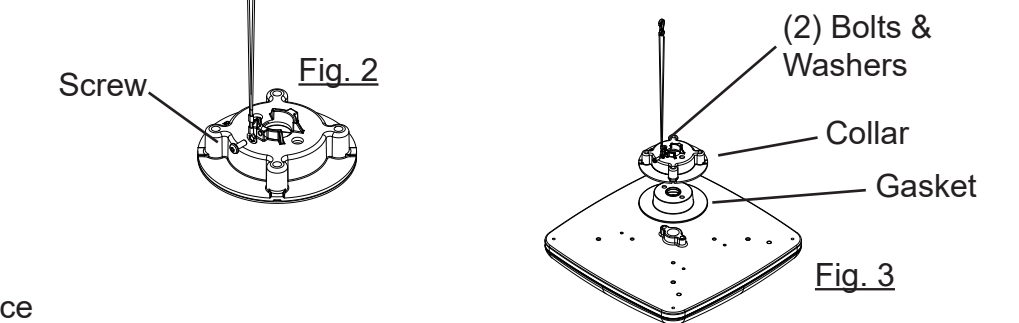
Step 2 (Fig. 2)

1. Attach Lanyard to casting with screw.



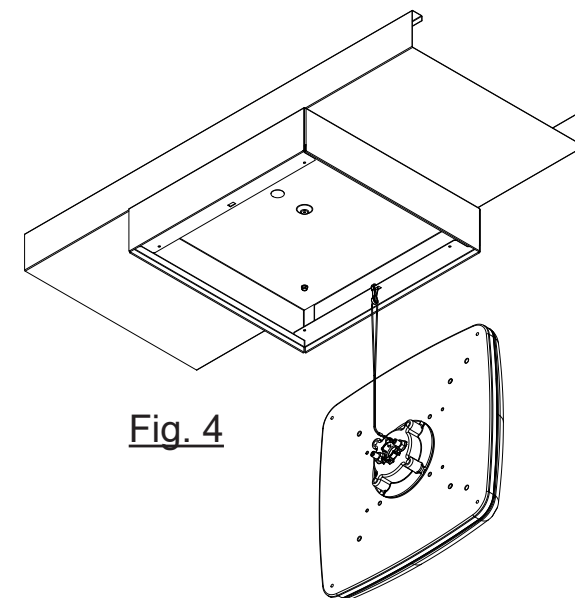
Step 3 (Fig. 3)

1. Attach Gasket and Collar using (2) Bolts and Washers.



Step 4 (Fig. 4)

1. Hang Luminaire from Surface Mount Box using Lanyard.
2. Make wiring connections.



Step 5 (Fig. 5)

1. Attach Luminaire Assembly to Surface Mount Box completing installation using (4) screws provided. Install (4) Hole Plugs.

