

# Installation and Assembly Instructions XSPS Gen 2 Series

## ⚠ WARNING

### Risk of fire, electric shock, injury or property damage

Risk of electric shock--Disconnect power to equipment before installing or servicing.  
This equipment must be installed according to all applicable codes & ordinances.  
Installation and service of this equipment must be performed by qualified service personnel.  
Do not install damaged equipment.  
Read these instructions before installing, servicing or maintaining this equipment.  
Save these instructions for maintaining and servicing.

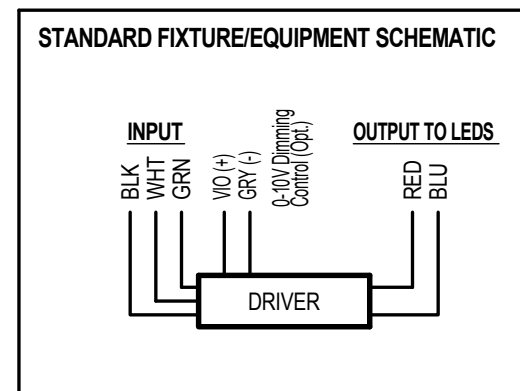
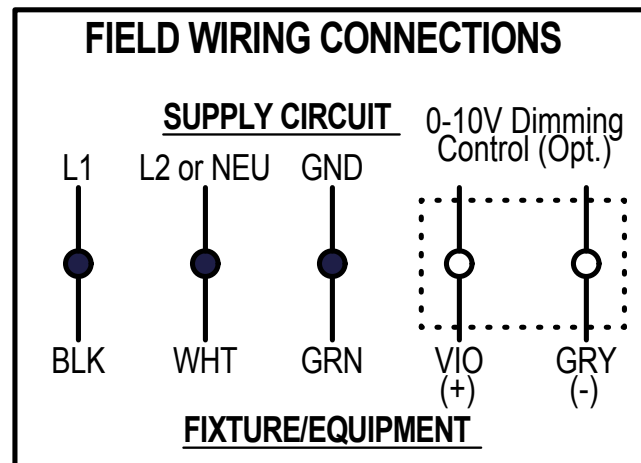
## ⚠ CAUTION

Failure to follow instructions or altering equipment could result in damage and void warranty.  
Edges may cut--wear gloves while handling or servicing this equipment.  
Inspect equipment for damage from shipping and handling.

### LUMINAIRE PREPARATION

1. Remove the luminaire from the carton and inspect luminaire for damage. Do not install a damaged luminaire.
2. **Important: 8" of soffit clearance** is required for luminaire installation.

### WIRING INFORMATION



Installation Questions  
Call LSI Field Service Dept.  
800-436-7800 Fax 877-861-1368

# Installation and Assembly Instructions XSPS Gen 2 Series

### Step 1 (Fig. 1)

1. Remove (2) 1/4-20 screws from lens frame and save.
2. Remove luminaire from Mounting Frame.

### Step 2 (Fig. 2)

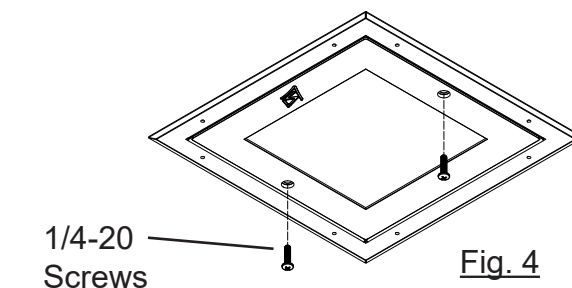
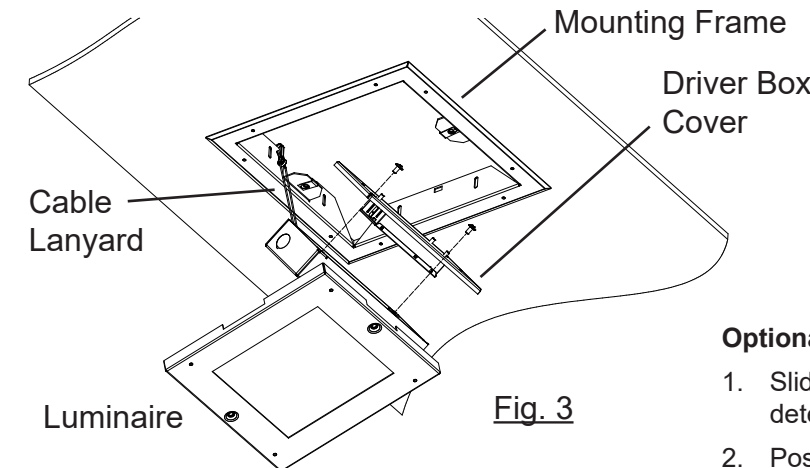
1. Cut an 11 inch square hole in ceiling.
2. Attach Mounting Frame to ceiling structure with suitable fasteners provided by installer.

### Step 3 (Fig. 3) *Note: Low Wattage versions do not have a Thermal Protector*

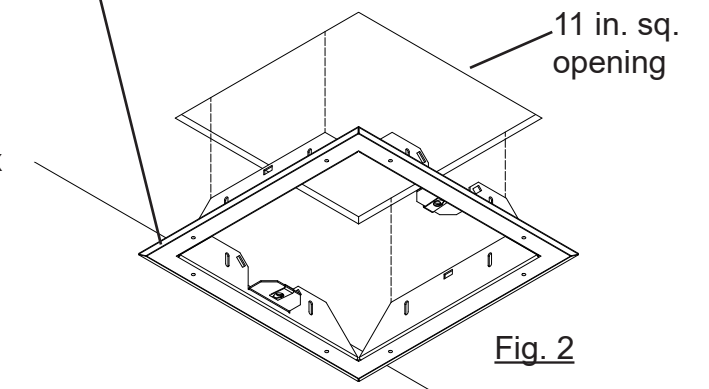
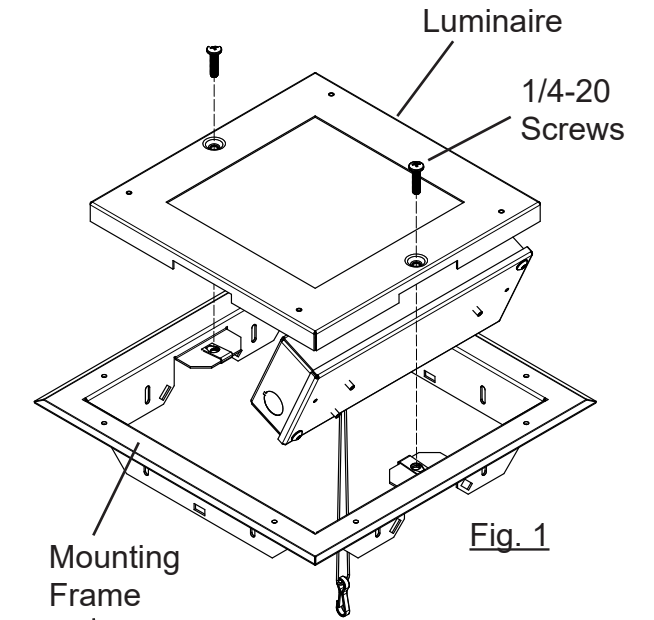
1. Hang Luminaire from Mounting Frame using Cable Lanyard.
2. Loosen Driver Box fasteners and remove Driver Box Cover.
3. Run wiring to Driver Box and make wiring connections.

### Step 4 (Fig. 4)

1. Re-attach Driver Box Cover.
2. Insert Luminaire up into Mounting Frame and secure with (2) 1/4-20 screws from Step 1.



Installation Questions  
Call LSI Field Service Dept.  
800-436-7800 Fax 877-861-1368



### Optional Channel Hanging (Fig. 5)

1. Slide C-Channels through C-Channel Bracket groove. Groove determines Channel height relative to Frame.
2. Position C-Channel assembly in ceiling across roof joists.
3. Insert Frame assembly up into C-Channel assembly.
4. With Frame flush to ceiling, secure by inserting self-drilling screw through Frame Bracket into C-Channel Bracket.

