

INSTALLATION & ASSEMBLY INSTRUCTIONS

XSL2 CROSSOVER® SOFFIT & CANOPY SERIES LUMINAIRE

US & Foreign Patents Pending
SMARTVISION®



Intertek

Listed to UL1598

Luminaire

Suitable for damp locations

WARNING: Before proceeding, read all instructions carefully to insure proper and safe installation.

WARNING: Risk of fire or electrical shock. Disconnect power before installing or servicing.

WARNING: All wiring to be performed per National Electrical Code and local code by a qualified electrician.

IMPORTANT: If equipped with thermal protector (TP), for soffit installations only!

PRE-INSTALLATION SET UP (BOTH MOUNTING STYLES)

1. Unpack luminaire from packaging. Luminaire consists of optic unit, driver box with hardware bag inside, and mounting ring.
2. Place optic unit glass surface down. Be sure to protect surfaces.
3. Remove cover from driver box. Remove knockout from obround form in bottom panel of driver box.
4. With ballast box in hand, feed optic unit wires from nipple thru knockout hole in driver box.
5. Remove pipe nut from optic unit and insert driver box on to pipe stem in optic unit. Aim driver box opening toward corner of optic unit and re-install nut. See Figure 1.
6. Mount and secure driver box to optic unit nipple using supplied nut. **IMPORTANT: DO NOT OVERTIGHTEN!**

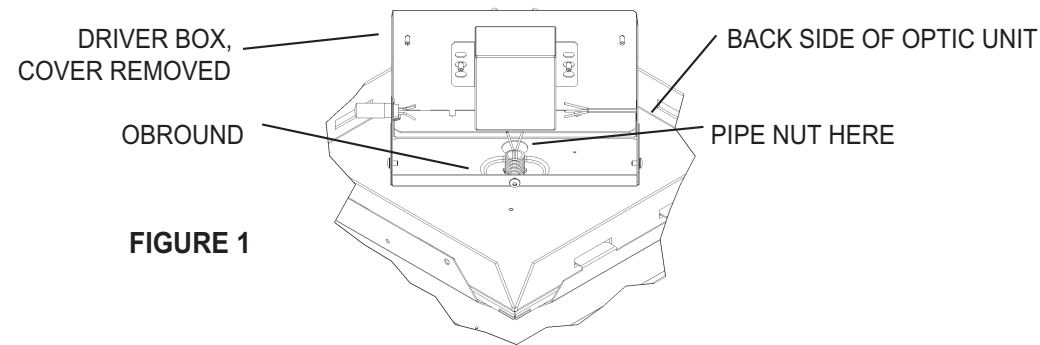


FIGURE 1

C-CHANNEL MOUNTING INSTALLATION (for DIRECT MOUNT INSTALLATION, see Page 2)

1. Attach both hinges to mounting ring using supplied #10-16 x 3/8" screws. Drive screws from the inside, through the ring, and in to the hanger. See Figure 2.
2. Prepare ceiling opening. See Figure 2 and directions below:
 - A. Locate position of ceiling opening and cut to minimum 15-1/4" maximum 15-1/2" square.
 - B. Slip C-channels thru hanger brackets. Run C-channel thru appropriate grooves, depending on depth.
 - C. Slip C-channels thru corresponding grooves on both sides for level installation. Be sure hanging bracket flanges are positioned outward to allow for luminaire entry.
 - D. Flip hangers on trim into vertical position and slip upward into horizontal grooves in hanger brackets.
 - E. Position ring flush with ceiling and secure by running self-drilling screw thru middle hole of hanger bracket and slot in middle of hanger. The slot in the hanger is provided to allow a flush mounting of the ring and ceiling.
 - F. To lock hangers, install self-drilling screws (provided) thru each hanger and hanger bracket (pilot holes already located 1/2" down and 1/2" left of center).

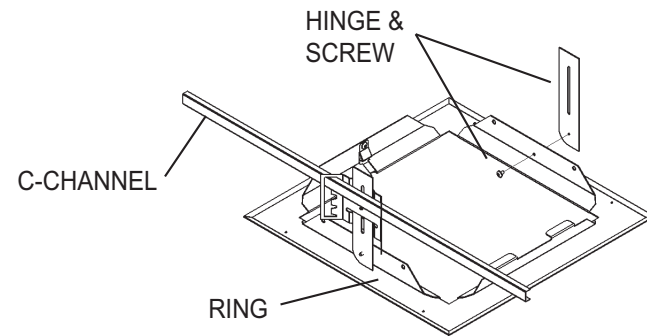


FIGURE 2
(driver box and other C-Channel not shown)

INSTALLATION & ASSEMBLY INSTRUCTIONS, cont'd.

XSL2 SERIES LUMINAIRE

C-CHANNEL MOUNTING INSTALLATION, cont'd. (for DIRECT MOUNT INSTALLATION, see below)

3. Lift optic unit/ballast box assembly up to installed ring. Position so as to access wiring connections inside ballast box.
4. Make secondary, then primary, driver wiring connections. See Figures 3, 4, and 5 below. Re-install driver box cover.

IMPORTANT: Supply wire rating must be equal to or exceed the temperature specified on the luminaire's product label.

IMPORTANT: Drivers marked "Advance" can be used on any luminaire unit. Follow wiring instructions on driver.

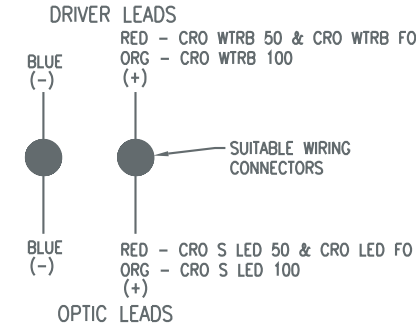


FIGURE 3
(all models)

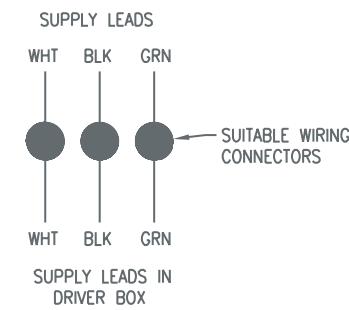


FIGURE 4
(canopy installs ONLY)

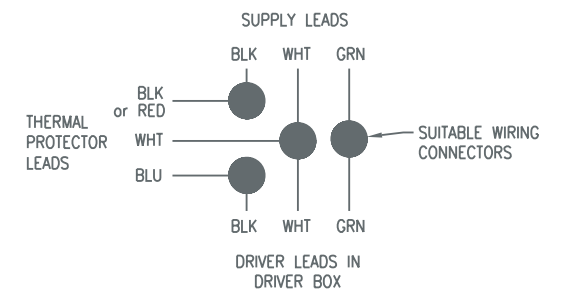


FIGURE 5
(soffit installs ONLY)

5. Insert frame tabs in slots on optic unit. Pivot optic unit down until securely latched. Optic unit should be seated squarely in frame.

DIRECT MOUNT INSTALLATION (for C-CHANNEL MOUNTING INSTALLATION, see Page 1)

1. Prepare ceiling opening. See Figure 6 and directions below:
 - A. Locate position of ceiling opening and cut to minimum 15-1/4" maximum 15-1/2" square.
 - B. Position ring flush with ceiling and secure using appropriate fasteners (not supplied). Four (4) drill points are provided on face of ring. An alternate securing method is to use cables or screws on (2) inside bent legs of ring. Neither cables nor screws provided.

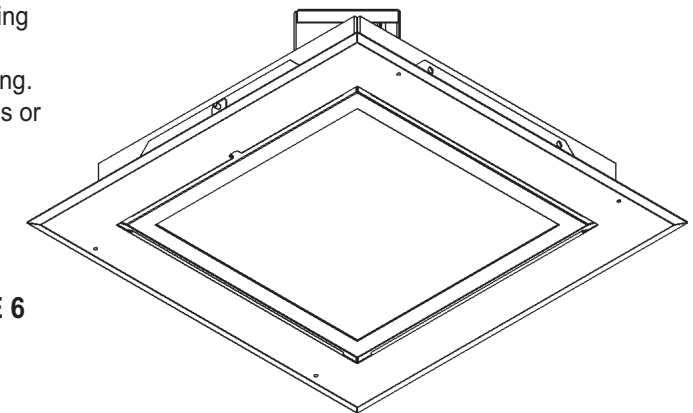


FIGURE 6

2. Lift optic unit/ballast box assembly up to installed ring. Position so as to access wiring connections inside ballast box.
 3. Make secondary, then primary, driver wiring connections. See Figures 3, 4, and 5 above. Re-install cover.
- IMPORTANT:** Supply wire rating must be equal to or exceed the temperature specified on the luminaire's product label.
- IMPORTANT:** Drivers marked "Advance" can be used on any luminaire unit. Follow wiring instructions on driver.
4. Insert frame tabs in slots on optic unit. Pivot optic unit down until securely latched. Optic unit should be seated squarely in ring.

Installation Questions?
Call LSI Field Service Department at:
1-800-436-7800 Ext. 3300 Fax: 1-877-861-1368



LSI Industries Inc.
A Company with a Smart Vision 10000 Alliance Road Cincinnati, Ohio 45242 (513) 793-3200 Fax 513-793-0147 www.lsi-industries.com



LSI Industries Inc.
A Company with a Smart Vision 10000 Alliance Road Cincinnati, Ohio 45242 (513) 793-3200 Fax 513-793-0147 www.lsi-industries.com