



A Company with a *Smart Vision*

XSE SERIES

LEAD	XSE618	NiCad	XSE6N14
UNITS	XSE625	UNITS	XSE6N18
	XSE636		XSE6N25
	XSE650		XSE6N50
	XSE1236		XSE12N50
	XSE1250		

INSTALLATION AND OPERATING INSTRUCTIONS

IMPORTANT SAFEGUARDS

When using electrical equipment, basic safety precautions should always be followed, including the following:

READ AND FOLLOW ALL SAFETY INSTRUCTIONS

All servicing should be performed by qualified personnel only.

Do not mount near gas or electric heaters.

Equipment should be mounted in locations and at heights where it will not readily be subjected to tampering by unauthorized personnel.

The use of accessory equipment not recommended by the manufacturer may cause an unsafe condition.

Do not let power supply cords touch hot surfaces.

Do not mount near open flames or sparks.

Do not use this equipment for other than intended use.

CAUTION: "To avoid electrical overload, total connected lamp load (factory and field installed) should not exceed output rating."

SAVE THESE INSTRUCTIONS

WARNING

Shut off AC power to branch circuits to which units will be connected. All wiring should be per National Electrical Code and local regulations.

INSTALLATION INSTRUCTIONS

These units are designed for 120 or 277VAC, 60Hz operation.

1. Prior to mounting on the wall, determine the easiest routing for the AC service cable.
2. Remove cover. (Fig. 1)
4. Determine location for AC service entry and ensure no internal components will be damaged when enclosure is drilled.
5. Drill 7/8"(.875) dia. hole in enclosure to accommodate the watertight compression fitting supplied.

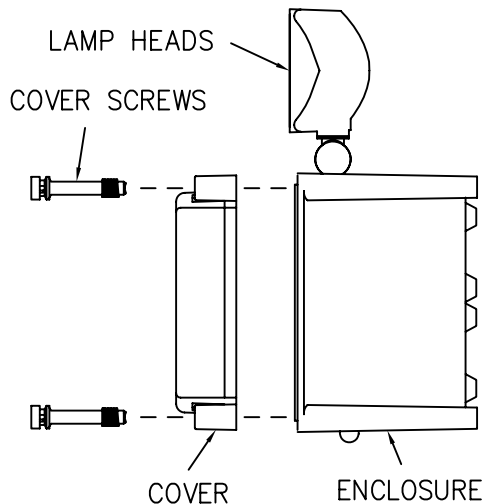
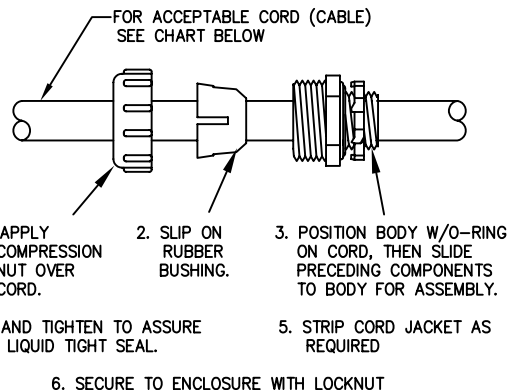


FIGURE 1



WHEN CORD DIAMETER IS TOO LARGE TO PASS THROUGH THE BODY, STRIP OFF CORD JACKET TO END OF RUBBER BUSHING. MAKE SURE THAT JACKET IS COMPLETELY COVERED BY BUSHING WHEN ASSEMBLED.

CABLE SELECTION CHART ☉	
TYPE	STYLE
18-2	SV, SVO, SVT, SJ, SJO, SJT, SJTO
18-3	
16-2	SJ, SJO, SJT, SJTO
16-3	
16-4	
14-2	

☉ Cord grip range is .250-.375. Cable diameters may vary depending upon manufacturer.

FIGURE 2

XSE NEMA EMERGENCY LIGHTING UNITS

6. Mount enclosure to wall using 4 thru mounting holes or optional mounting feet. (Fig. 3)
7. Install AC service cable and compression fitting. (Fig. 2 on page 1)
8. Remote Lamp Hookup: Locate pc board flying leads L+ and L-. Connect one remote lamp lead to L+ and remaining lamp lead to L-. Use wire nuts (not supplied).
9. Hookup AC service to the connector assembly as follows.

120 VAC OPERATION

Black Wire -120V Line
 White Wire -Common
 Green Wire -Ground

277 VAC OPERATION

Blue Wire -277V Line
 White Wire -Common
 Green Wire -Ground

Unused primary wire must be insulated to prevent shorting.

10. Make battery connections at this time. (For appropriate battery(ies) hookup configuration see Fig. 4 on page 3).
11. Adjust lamp heads at this time. (Fig. 5 on page 4)
12. Reassemble cover to enclosure.

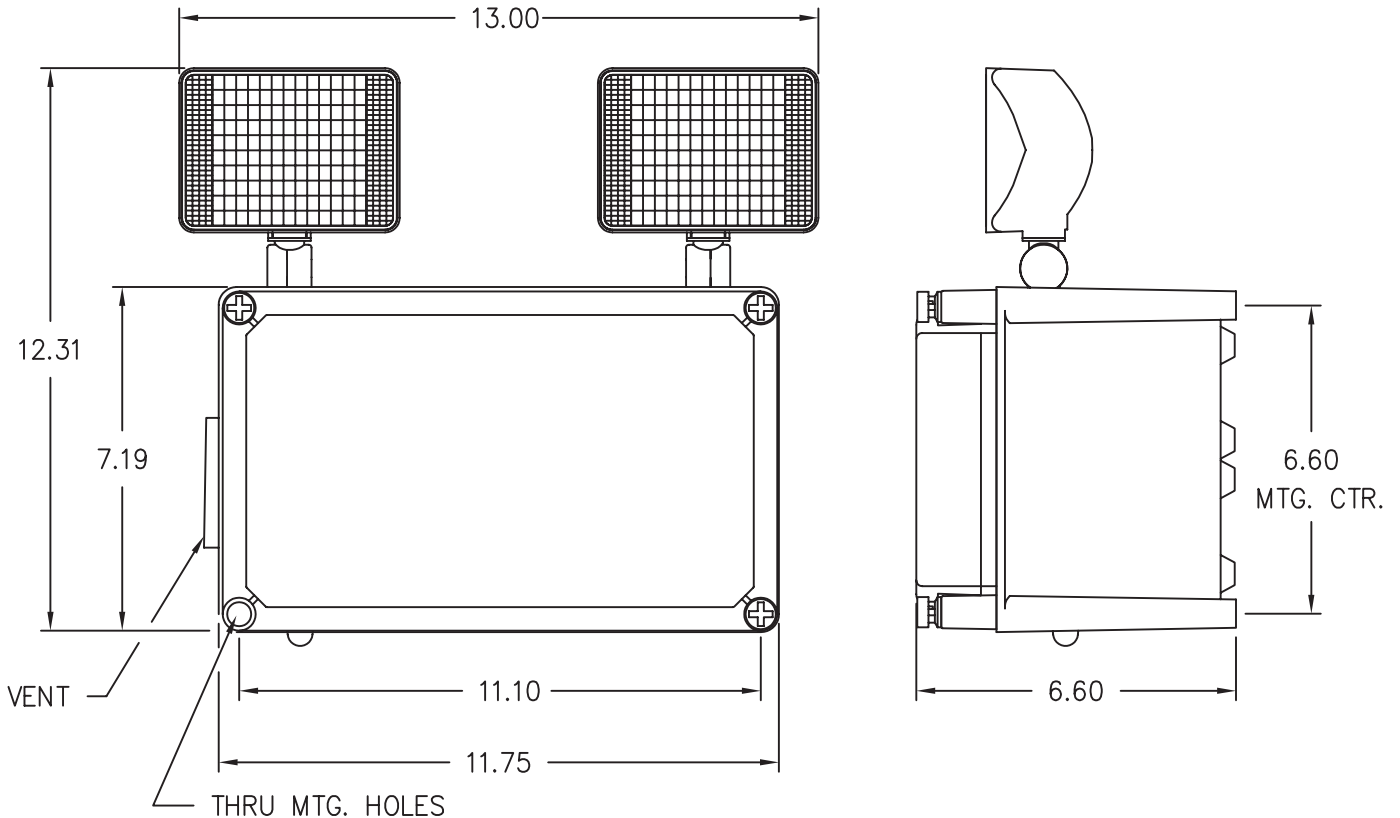
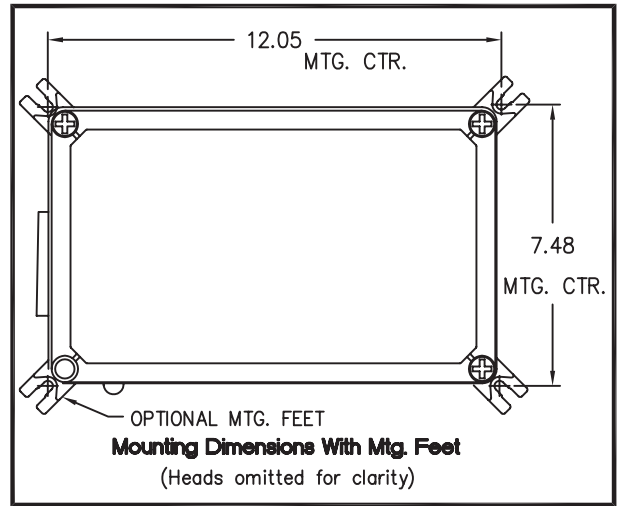


FIGURE 3

XSE NEMA EMERGENCY LIGHTING UNITS

BATTERY HOOKUP CONFIGURATIONS

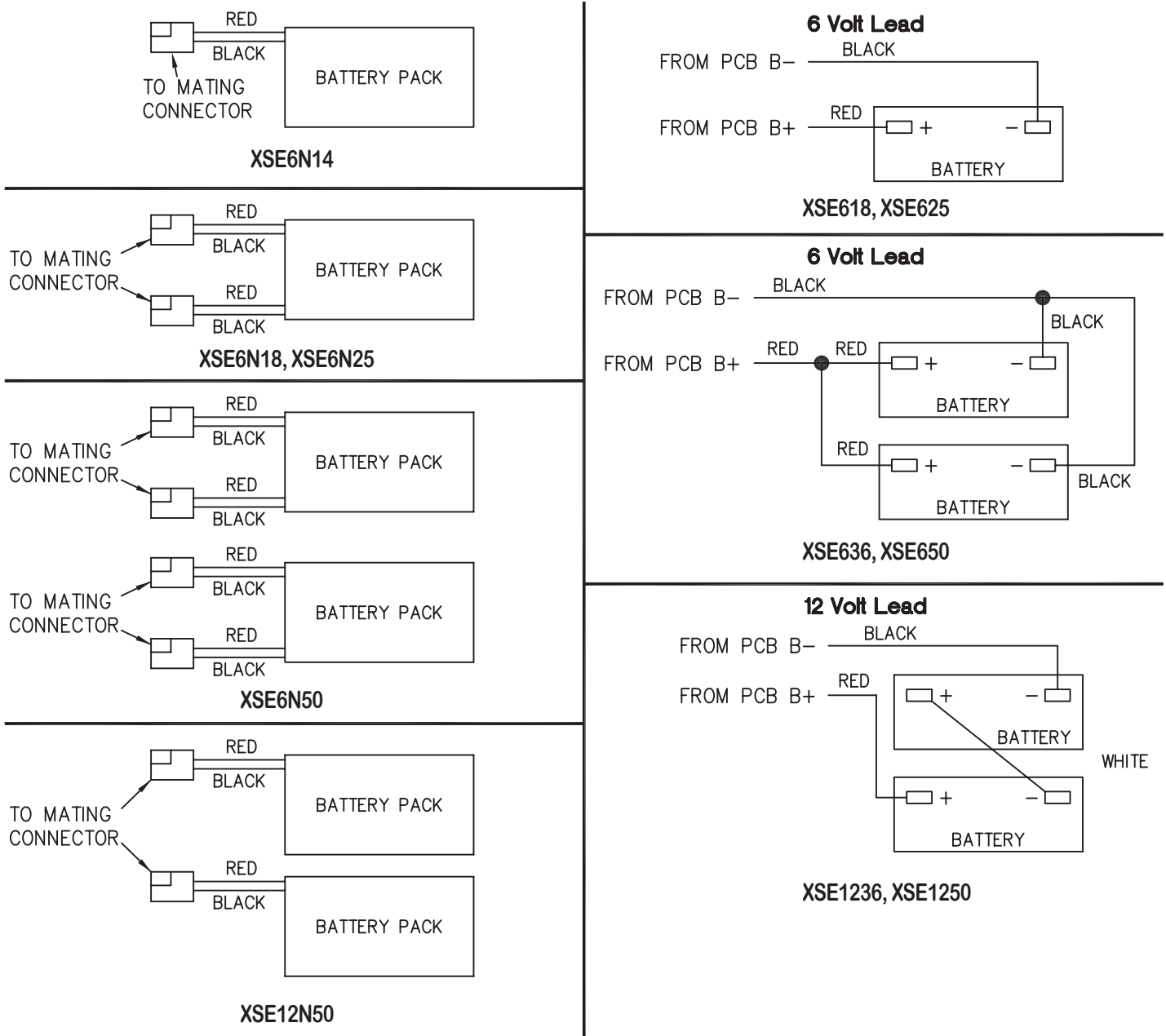


FIGURE 4

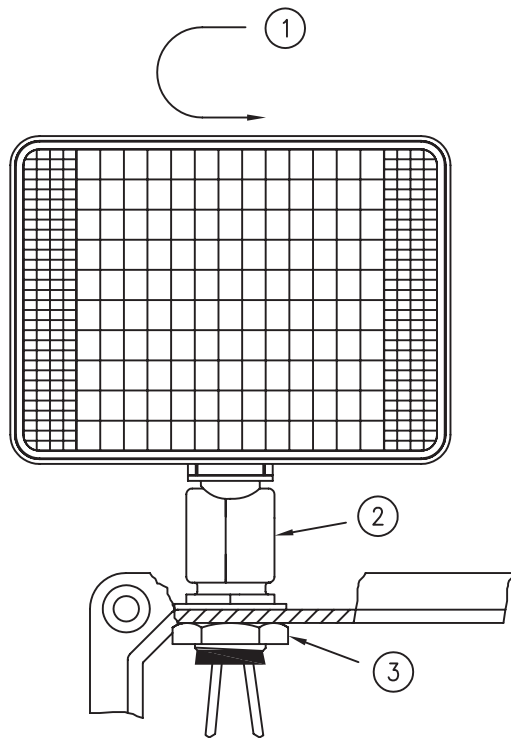
XSE NEMA EMERGENCY LIGHTING UNITS

OPERATING INSTRUCTIONS

1. Energize AC power to equipment and check that pilot lamp illuminates.
2. Press test switch and verify pilot lamp turns off and lamp heads illuminate.
3. Leave AC connected for a minimum of 24 hours before performing any abbreviated testing. Full recharge of battery(ies) may take up to one (1) week.

NOTES:

- A. This equipment is provided with a lockout feature whereby connecting battery leads prior to energizing AC power will not turn on the emergency lamps. After AC power is energized the emergency lamps will turn on upon AC power failure.
- B. This equipment is provided with a low battery disconnect feature which prevents full discharge of batteries. If the building is to be unoccupied for an extended period of time and AC power is shut off, the batteries should be unplugged from the charger to prevent damage.
- C. The batteries provided in this equipment are sealed and require no maintenance.



LAMP HEAD ADJUSTMENT:

- 1) Lamp head rotates around yoke.
- 2) Adjust head angle.
- 3) Loosen nut inside enclosure to redirect yoke and swivel base.

FIGURE 5