

## LED LEXINGTON DECORATIVE AREA LIGHTS (XLXM3)



US patent 782456, 7952293, & 8432108 and US & Int'l. patents pending

**SMARTTEC™** - LSI drivers feature integral sensor which reduces drive current, when ambient temperatures exceed rated temperature.

**ENERGY SAVING CONTROL OPTIONS** - DIM - 0-10 volt dimming enabled with controls by others. BLS - Bi-level switching responds to external line voltage signal from separate 120-277V controller or sensor (by others), with low light level decreased to 30% maximum drive current.

**EXPECTED LIFE** - Minimum 60,000 hours to 100,000 hours depending upon the ambient temperature of the installation location.

**LEDS** - Select high-brightness LEDs in Cool White (5000K) or Neutral White (4000K) color temperature, 70CRI.

**DISTRIBUTION/PERFORMANCE** - Types 3, FT, and 5. Exceptional uniformity creates bright environment at lower light levels. Improved backlight cutoff minimizes light trespass.

**HOUSING** - One piece housing/support frame is die-cast aluminum. Post top access cover and support arms are die-cast aluminum. Housing is sealed with an extruded silicone gasket.

**HOUSING TOP CAP** - Removable spun aluminum cap/driver enclosure is retained by captive stainless steel fasteners and safety cables. Housing and top cap interface is sealed with a one-piece extruded silicone gasket. Tool-less entry option is available.

**SEALED OPTICAL UNIT** - Lens is clear, flat tempered glass, sealed to aluminum optics housing. Pressure stabilizing breather allows super-tight protection while preventing temperature cycling from building up internal pressures and vacuums that can stress optical unit seals and components.

**FASTENERS** - All exposed fasteners are black oxide coated stainless steel. Internal fasteners are stainless steel or zinc electroplated steel.

**ELECTRICAL** - Terminal block for attachment of incoming primary wiring is supplied. Two-stage surge protection (including separate surge protection built into electronic driver) meets IEEE C62.41.2-2002, Location Category C. Available with universal voltage power supply 120-277VAC (50/60Hz input), 347VAC and 480VAC. Optional button-type photocells (PCI) are available in 120, 208, 240, 277 or 347 volt (supply voltage must be specified).

**DRIVER** - Available in Super Saver (SS) and High Output (HO) drive currents (Drive currents are factory programmed). State-of-the-art driver technology designed specifically for LSI LED light sources provides unsurpassed system efficiency. Components are fully encased in potting material for moisture resistance. Driver complies with IEC and FCC standards.

**OPERATING TEMPERATURE** - -40°C to +50°C (-40°F to +122°F).

**MOUNTING** - Post Top and Wall mounting available. Pole selection information shown under fixture drawings.

**FINISH** - Fixtures are finished with LSI's DuraGrip® polyester powder coat finishing process. The DuraGrip finish withstands extreme weather changes without cracking or peeling.

**WARRANTY** - LSI LED fixtures carry a limited 5-year warranty.

**PHOTOMETRICS** - Please visit our web site at [www.lsi-industries.com](http://www.lsi-industries.com) for detailed photometric data.

**LISTING** - Listed to U.S. and Canadian safety standards. Suitable for wet locations.

| LIGHT OUTPUT - XLXM3 |           |        |                  |        |           |
|----------------------|-----------|--------|------------------|--------|-----------|
| POST TOP MOUNT       |           |        |                  |        |           |
|                      | # of LEDS | Type 3 | Lumens (Nominal) |        | Watts     |
|                      |           |        | Type FT          | Type 5 | (Nominal) |
| Cool White           | SS 64     | 6180   | 5570             | 5240   | 70        |
|                      | HO 64     | 8670   | 8270             | 7510   | 108       |
| Neutral White        | SS 64     | 5930   | 5350             | 5150   | 70        |
|                      | HO 64     | 8250   | 7560             | 6890   | 108       |

LED Chips are frequently updated therefore values may increase.

Also available in traditional light sources

This product, or selected versions of this product, meet the standards listed below. Please consult factory for your specific requirements.



Fixtures comply with ANSI C136.31-2010 American National Standard for Roadway Lighting Equipment - Luminaire Vibration 1.5G requirements.



Project Name \_\_\_\_\_ Fixture Type \_\_\_\_\_

Catalog # \_\_\_\_\_

10/21/15

© 2015

LSI INDUSTRIES INC.

# LED LEXINGTON DECORATIVE AREA LIGHTS (XLXM3)

## LUMINAIRE ORDERING INFORMATION

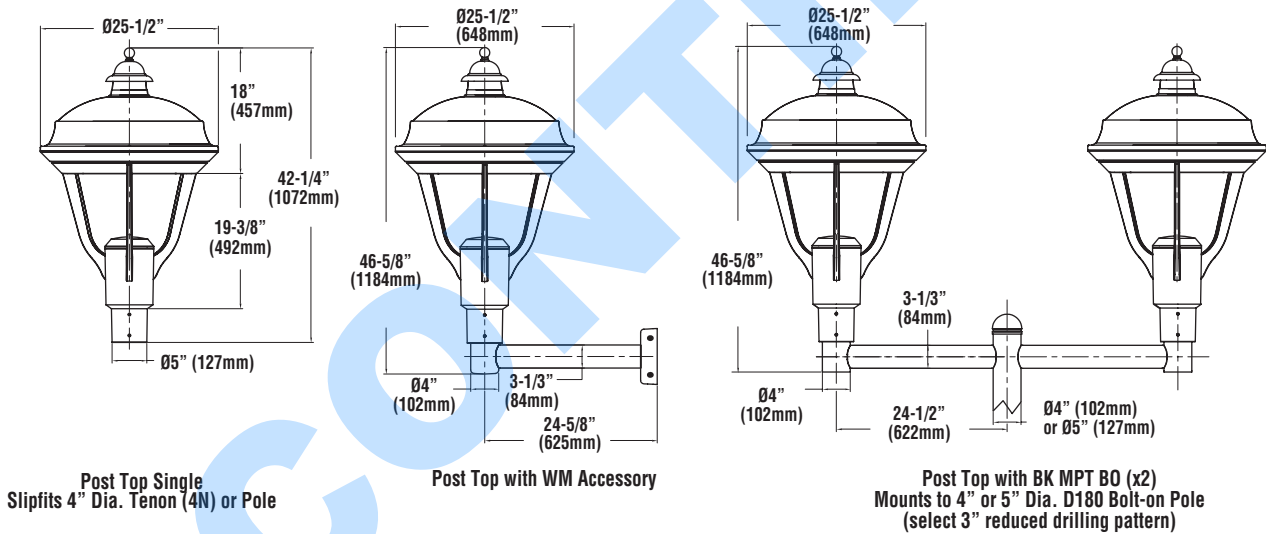
TYPICAL ORDER EXAMPLE: **XLXM3 PT 5 LED HO CW UE MSV PCI120**

| Prefix  | Mounting Style | Distribution                                     | Light Source | Drive Current                        | Color Temperature                                     | Input Voltage   | Finish  | Options   |
|---|----------------|--|--------------|--------------------------------------|---|---|---|---|
| XLXM3   | PT - Post Top  | 3 - Type III<br>FT - Forward Throw<br>5 - Type V | LED          | SS - Super Saver<br>HO - High Output | CW - Cool White (5000K)<br>NW - Neutral White (4000K) | UE - Universal Electronic (120-277V 50/60Hz)<br><br>347-480 | BRZ - Bronze<br>BLK - Black<br>PLP - Platinum Plus<br>WHT - White<br>SVG - Satin Verde Green<br>GPT - Graphite<br>MSV - Metallic Silver | <b>Button Type Photocells</b><br>PCI 120 - 120v<br>PCHV208-277 - 208-277v<br>PCI 347 - 347v<br>TE - Tool-less Entry<br>DIM - 0-10V Dimming (from external source) <sup>1</sup><br>BLS - Bi-level Switching (from external 120-277V signal) <sup>1</sup> |
| <b>Accessories</b>  |                |  |              |                                      |   |   |   |   |
| WM - Wall Mount<br>BK MPT B04 - Medium Bolt on Bracket (for PT 180) For 4" Dia. Round Poles <sup>2</sup><br>BK MPT B05 - Medium Bolt on Bracket (for PT 180) For 5" Dia. Round Poles <sup>2</sup> |                |  |              |                                      |   |   |   |   |

**FOOTNOTES:**

- 1- DIM and BLS cannot be ordered together.
- 2- Order poles with 3" reduced drilling pattern. For PT mounting configurations other than D180, consult factory. Order one bracket per fixture.

**DIMENSIONS**



|                               | MOUNTING STYLE |     |
|-------------------------------|----------------|-----|
| ■ PT Single                   | PT             | 1.4 |
| ■ PT D180° with BK MPT B0 (2) | PT             | 2.7 |

| Catalog Number | Est. Weight (kg/lbs.) |
|----------------|-----------------------|
| XLXM3 (PT)     | 29/64                 |

