

WNA LED INSTALLATION AND ASSEMBLY INSTRUCTIONS



SMARTVISION®

CAUTION: Risk of shock. Disconnect power before installing or servicing.

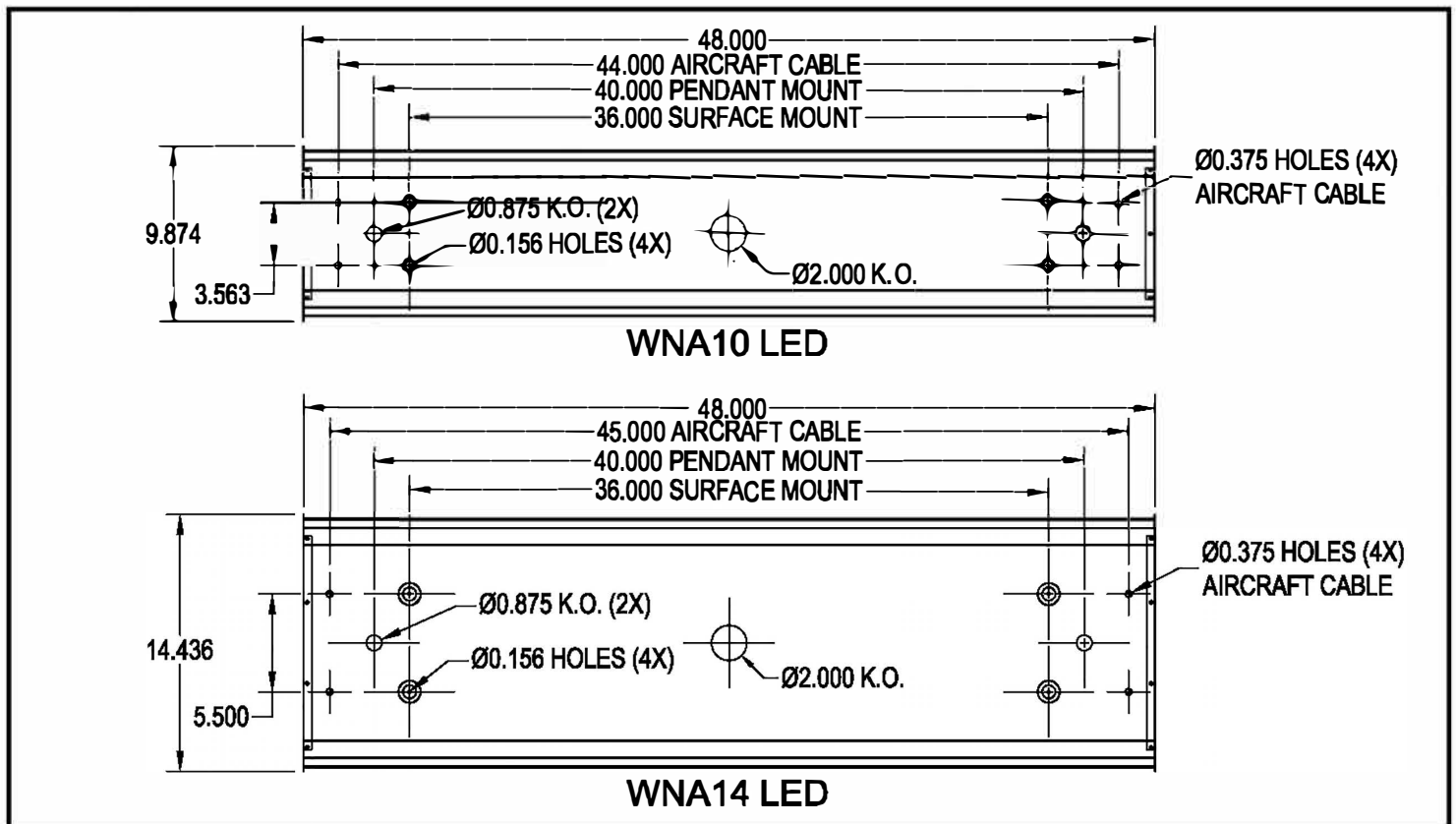
WARNING: Before proceeding, read all instructions carefully to insure proper and safe installation.

WARNING: Risk of electrical shock. High temperatures inside luminaire. Make certain line voltage corresponds with ballast/driver primary voltage (see ballast/driver label).

WARNING: All wiring to be performed per National Electrical Code and local code by a qualified electrician.

IMPORTANT: Not every unit is identical. Placement of proper luminaire is important. Refer to layout drawing to verify location identification, product location, and feed points.

IMPORTANT: Do not electrically connect to live wiring.



Installation Questions?
Call LSI Field Service Department at:
1-800-436-7800 Ext. 3300 Fax 877-861-1368

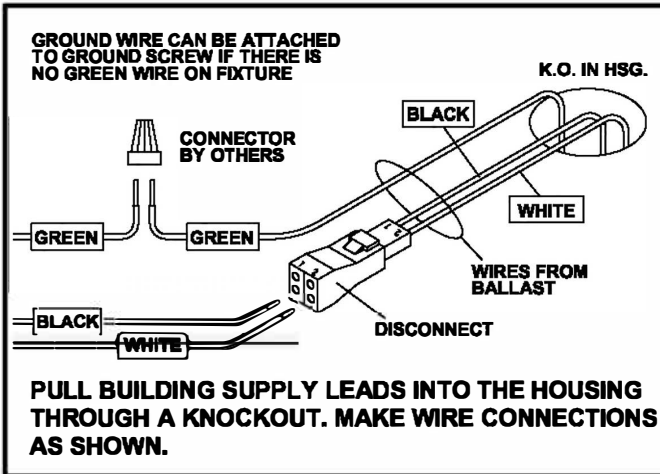
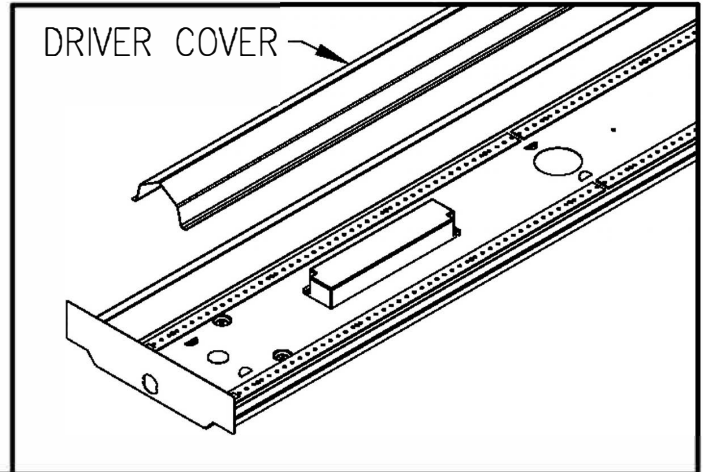
LSI Industries Inc. ♦ 10000 Alliance Road ♦ Cincinnati, OH 45242 ♦ 513-793-3200 ♦ Fax (513) 793-0147 ♦ www.lsi-industries.com

WNA LED INSTALLATION AND ASSEMBLY INSTRUCTIONS

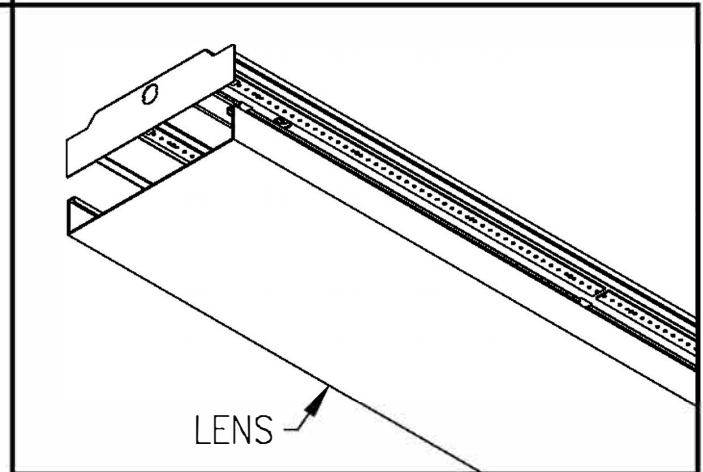


SMARTVISION®

STEP 1.
REMOVE LENS AND DRIVER COVER.
MOUNT FIXTURE (SEE PAGE 1)



STEP 2.
WIRE FIXTURE.



STEP 3.
REPLACE DRIVER COVER AND LENS.
FIXTURE IS READY.



Installation Questions?
Call LSI Field Service Department at:
1-800-436-7800 Ext. 3300 Fax 877-861-1368