

INSTALLATION AND ASSEMBLY INSTRUCTIONS

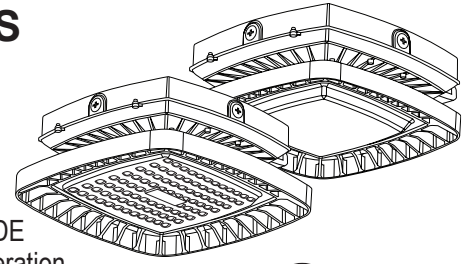
CPG | WCP Series

IMPORTANT: READ BEFORE REMOVING FIXTURE FROM CARTON. RETAIN FOR FUTURE REFERENCE

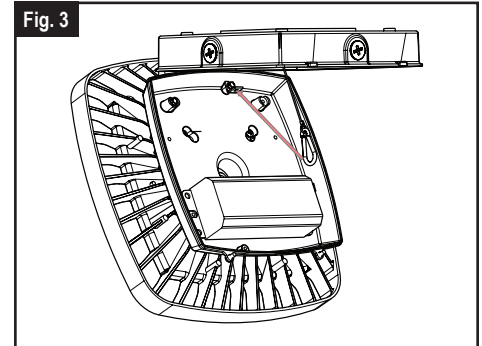
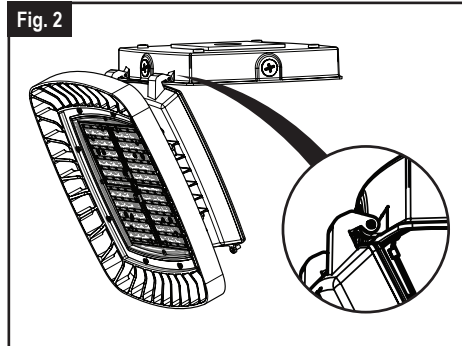
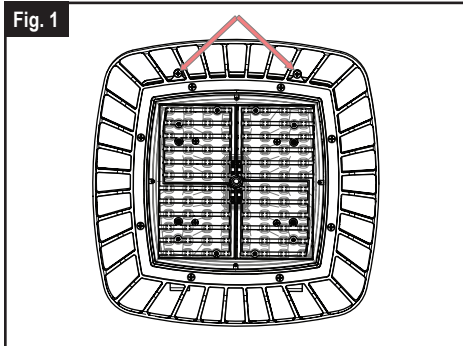
SAFETY: This fixture must be wired in accordance with the NATIONAL ELECTRICAL CODE and applicable local codes and ordinances. A person familiar with the construction and operation of the product and the hazards involved must install this product. A qualified licensed electrician should complete all work. Proper grounding is required for safety.

WARNING: Make certain power is OFF before installing or maintaining fixture.

RISK OF INJURY: Fixture may become damaged and/or unstable if not installed properly.



Listed to UL1598
Suitable for Damp Locations



BOX MOUNTING

1. Remove top housing by loosening screws that attach the two housings (figure 1).
2. Pull supply wires through top housing.
3. Drill appropriate points and attach top housing to mounting box using appropriate hardware (not included).
4. Hang bottom housing to the top by connecting the hinges (figure 2).
5. Optional: Connect the safety tether (figure 3).
6. Wire fixture as noted in the wiring section.
7. Close fixture and tighten 2 screws (figure 1).

CONDUIT MOUNTING

1. Remove top housing by loosening screws that attach the two housings (figure 1).
2. Remove conduit access plug(s) on housing for desired conduit entrance.
3. Attach conduit to fixture.
4. Pull leads into fixture and make connections as noted in the wiring section.
5. Hang bottom housing to the top by connecting the hinges (figure 2).
6. Optional: Connect the safety tether (figure 3).
7. Wire fixture as noted in the wiring section.
8. Close fixture and tighten 2 screws (figure 1).

WIRING

Note: LED fixtures utilizes a mult-volt (120-277V) that is auto sensing, no rewiring is necessary.

1. Turn off electrical supply at the breaker.
2. Follow all local electrical codes for wiring and grounding requirements.
3. Check to make sure that the supply voltage to the fixture is compatible with the driver (120-277).
4. Connect the white fixture wire with white service wire.
5. Connect the black fixture wire to the black service wire.
6. Connect the green fixture wire to the ground wire.
7. Make sure all connections are secure using approved connecting devices.
8. Turn on electrical supply at the breaker.

TROUBLESHOOTING

Check that:

1. The fixture is wired properly.
2. The fixture is grounded properly.

NOTE: Optional 0-10 V Dimming. Dimming provided through grey & purple wires. Refer to control manufacturer for wiring instructions.



Installation Questions?
Call LSI Field Service Department at:
1-800-436-7800 Ext. 3300
Fax: 1-877-861-1368