

INSTALLATION AND ASSEMBLY INSTRUCTIONS

SxS Tandem Mounting Kit



SMARTVISION®

WARNING: Failure to follow instructions could result in damage to product and void warranties!

WARNING: Risk of fire or electrical shock. Disconnect power before installing or servicing.

WARNING: Verify the existing input voltage and ensure it matches input rating of luminaire's product label.

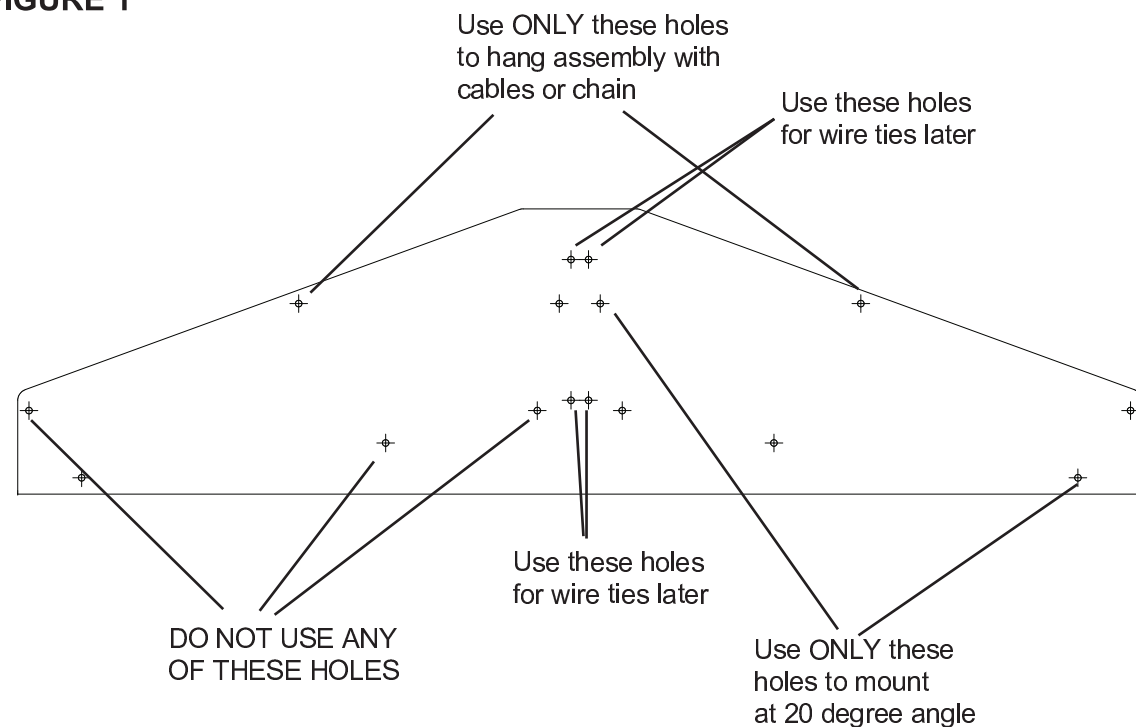
WARNING: Before proceeding, read all instructions carefully to ensure proper and safe installation.

IMPORTANT: This product must be installed in accordance with the applicable installation code by a person familiar with the construction and operation of the product and the hazards involved.

LUMINAIRE PREPARATION

1. Lay the contents of this kit onto a work surface. Kit consists of (2) end panels, hardware pack, wiring harness, and hanging cables.
2. Remove XLHB from carton (shipped separately from this kit). Place carton onto work surface. Place XLHB onto this carton, to protect finish. NOTE: Do NOT use installation instructions that shipped with XLHB - use only these instructions!
3. TMK mounting panels can accommodate (2) XLHB luminaires at 20 degrees angled upward. See below to identify what holes to use for mounting.

FIGURE 1



SxS, cont'd.

ASSEMBLING FOR ANGLED LUMINAIRES (SEE PAGE 2 FOR FLAT MOUNTING)

1. Align end panel hole with Luminaire hole. See Figure 2 below. Secure end panel using (1) bolt and nut, BUT DO NOT FULLY TIGHTEN!
2. Lifting XLHB, swing upward until opposite XLHB hole aligns with end panel hole as shown in Figure 3 below. Secure end panel to XLHB with another bolt and nut.
3. Fully tighten both bolts and nuts.
4. Repeat steps 1 - 3 for other end panel.
IMPORTANT: Before mounting other XLHB to end panels, make sure both luminaires' wire access plates with leads exiting them are on the same end!
5. Repeat steps 1 - 4 for second XLHB.

FIGURE 2

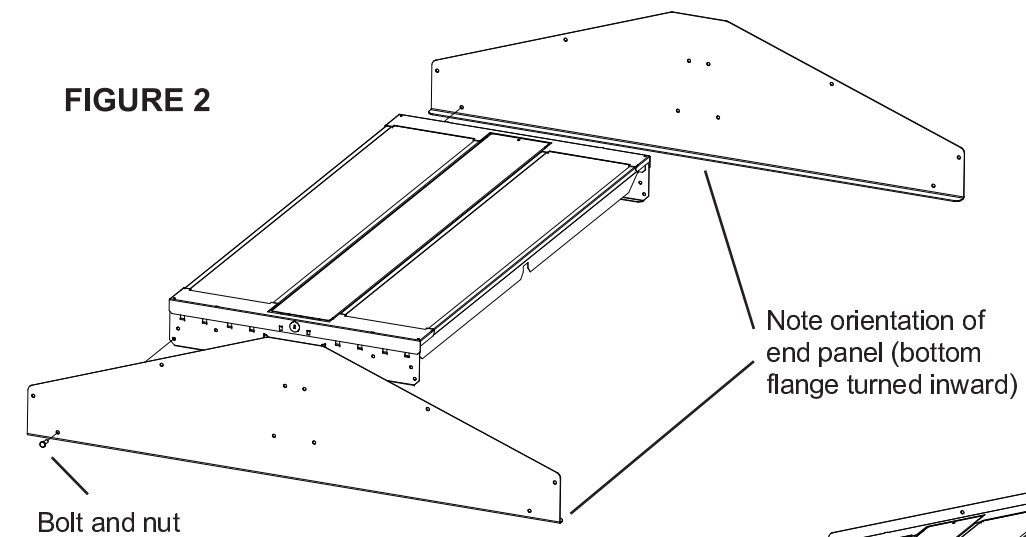


FIGURE 3

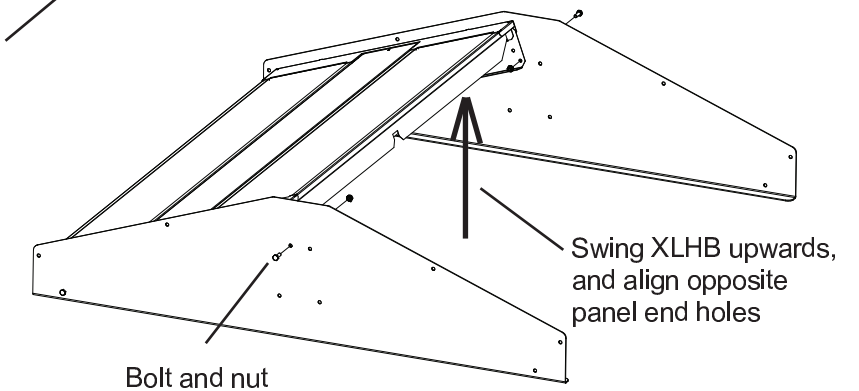


FIGURE 4



Installation Questions?
Call LSI Field Service Department at:
1-800-436-7800 Ext. 3300
Fax: 1-877-861-1368

WIRING PREPARATION

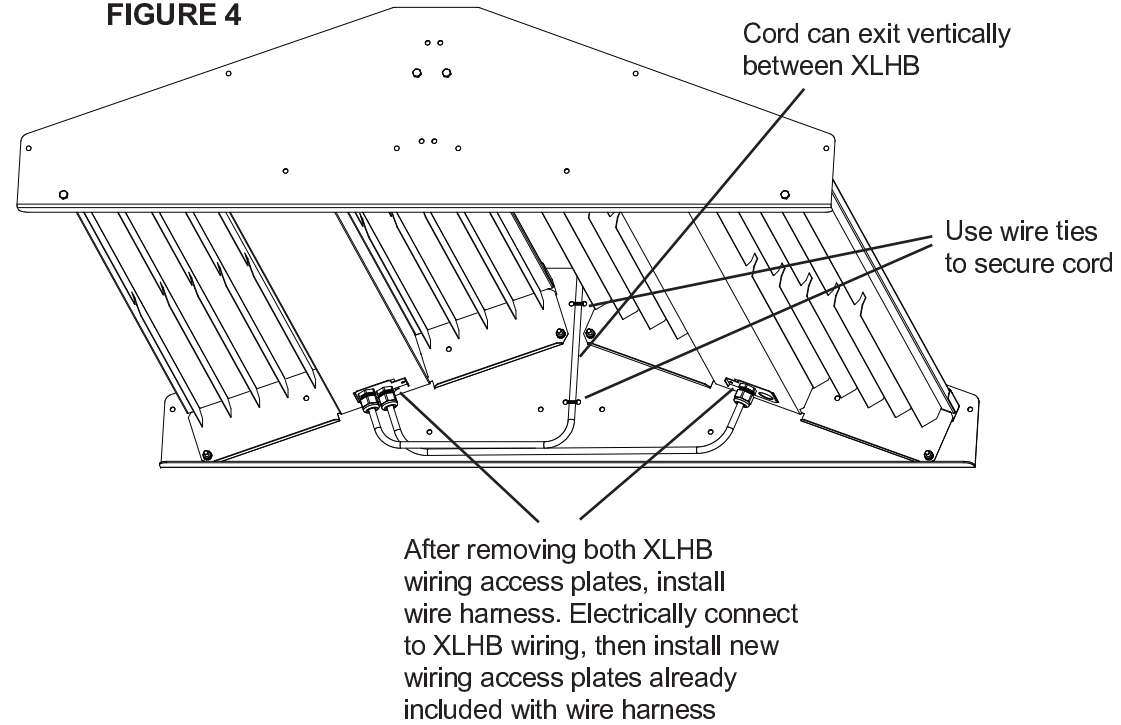
WARNING: Wiring to be performed by qualified electrician! Wire per National Electrical Code and local code. IMPORTANT WIRING INFORMATION - Risk of electrical shock!

* **Make certain supply wiring is not "Hot" before wiring luminaire.**

* **Make certain supply voltage corresponds to luminaire voltage as marked on luminaire label.**

1. XLHB is equipped with (2) wiring access covers. Locate the wiring access covers with leads exiting them; remove and discard these wiring access covers. Do not disturb other wiring access covers.
2. Secure wire harness to assembly by installing new wiring access plates (already installed to wire harness). Make electrical connections to each XLHB.
3. Cord can exit vertically between XLHB. Use supplied wire ties in holes shown to direct cord. See Figure 4 below.

FIGURE 4



HANGING ASSEMBLY

1. Using all (4) top end plate holes, hang assembly using suitable cable (supplied) or chain/hooks. Level assembly.
2. Electrically connect cord to J-box or plug (not included).

WARNING: Be sure supply wiring voltage matches XLHB voltage by comparing to product label!

