

Installation and Assembly Instructions

SFP FS Series

WARNING

Risk of fire, electric shock, injury or property damage

Risk of electric shock--Disconnect power to equipment before installing or servicing.
 This equipment must be installed according to all applicable codes & ordinances.
 Installation and service of this equipment must be performed by qualified service personnel.
 Do not install damaged equipment.
 Read these instructions before installing, servicing or maintaining this equipment.
 Save these instructions for maintaining and servicing.

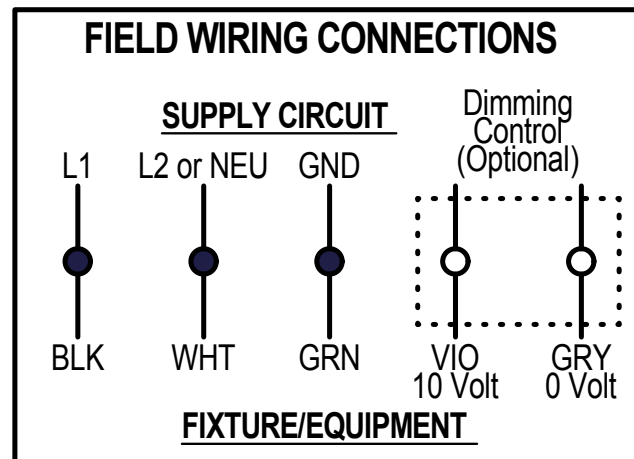
CAUTION

Failure to follow instructions or altering equipment could result in damage and void warranty.
 Edges may cut--wear gloves while handling or servicing this equipment.
 Inspect equipment for damage from shipping and handling.

LUMINAIRE PREPARATION

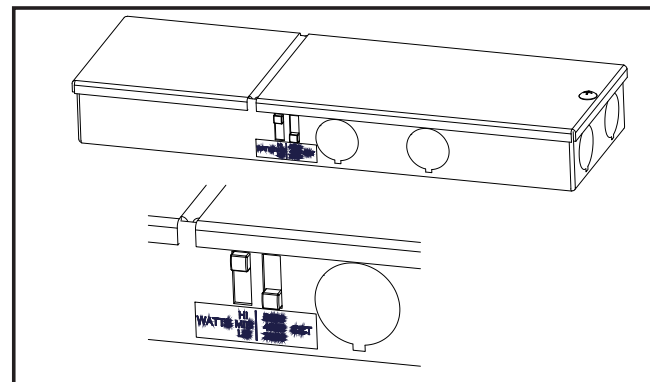
1. Remove the luminaire from the carton and inspect luminaire for damage. Do not install a damaged luminaire.

WIRING INFORMATION



SET FIXTURE OUTPUT

Set the selector switches, located near the wire access cover, to the desired CCT and wattage.
 Note: Factory default is 3500K (35K) and highest (HI) wattage.

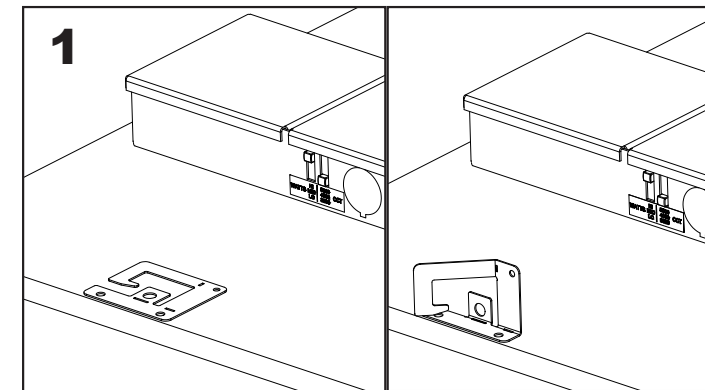
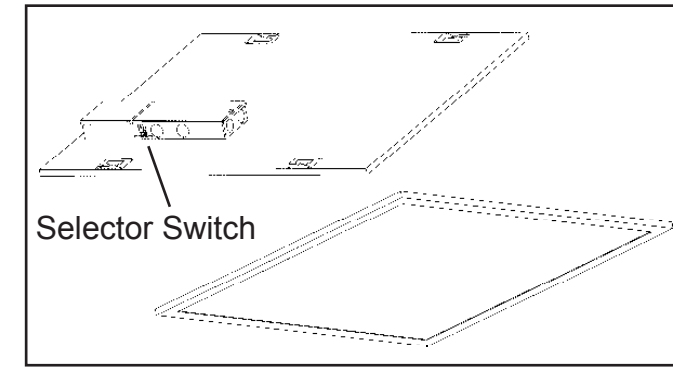


Installation Questions
 Call LSI Field Service Dept.
 800-436-7800 ext. 3300

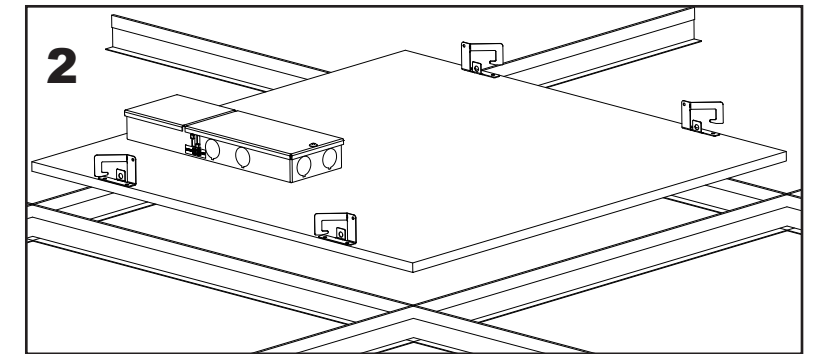
Installation and Assembly Instructions

SFP FS Series

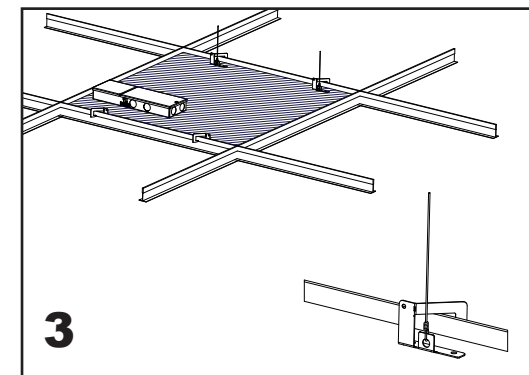
Luminaire available in 3 sizes designed to fit 12x48in, 24x24in and 24x48in T-grid spacings.



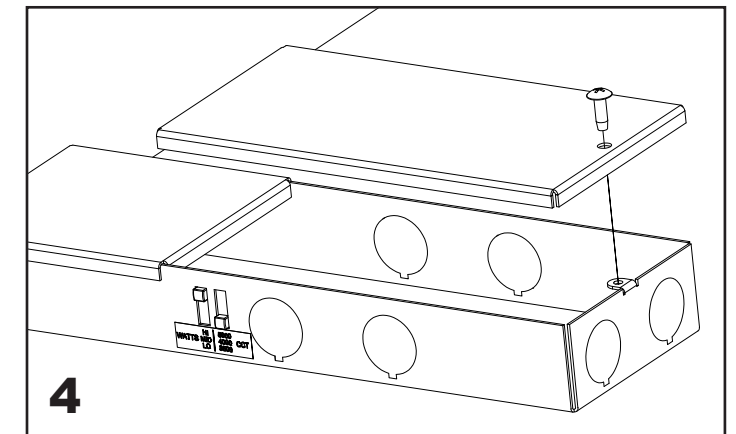
Step 1: Bend out (4) mounting tabs.



Step 2: Lay fixture into T-grid.



Step 3: Bend tabs over T-Grid. Attach cable from tab to ceiling structure.



Step 4: Remove wiring compartment cover and make wiring connections.

Installation Questions
 Call LSI Field Service Dept.
 800-436-7800 ext. 3300