



S /SDL LED INSTALLATION AND ASSEMBLY INSTRUCTIONS

IMPORTANT: FAILURE TO FOLLOW THESE INSTRUCTIONS COULD VOID ALL WARRANTIES!

WARNING! RISK OF FIRE OR ELECTRICAL SHOCK OR PRODUCT DAMAGE

Disconnect power before installing or servicing. Do not electrically connect live wiring!

WARNING: Risk of fire or electric shock. Do not alter, relocate, or remove wiring, power supply or any other electrical component.

WARNING: Risk of fire or electric shock. Installation of this luminaire requires a person familiar with the construction and operation of the luminaire's electrical system and the hazards involved. If not qualified do not attempt installation. Contact a qualified electrician.

-Verify that supply wiring voltage matches power supply voltage by comparing it with power supply label.

-Make all electrical and grounded connections in accordance with the National Electric Code (NEC) and any other applicable local code requirements.

CAUTION: RISK OF INJURY.

- Wear gloves and safety glasses at all times when removing luminaire from carton, installing , servicing or performing maintenance.

-Never connect components under load.

-Do NOT mount or support these fixtures in a manner that can cut the outer jacket or damage wire insulation.

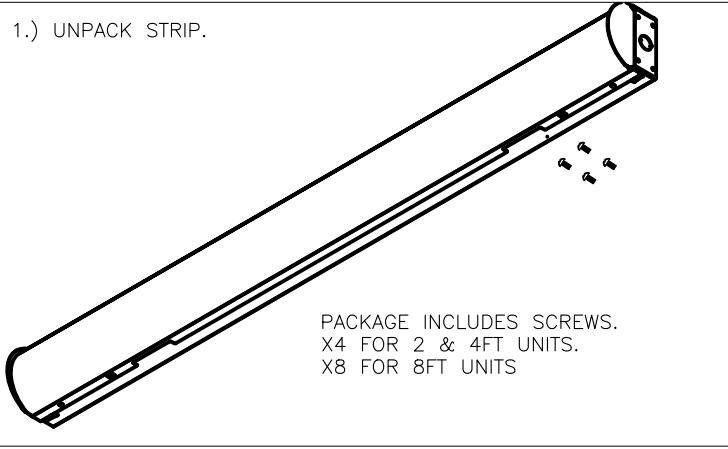
-Do NOT restrict fixture ventilation. Allow for some volume of airspace around fixture. Avoid covering LED fixtures with insulation, foam, or other material that will prevent convection of conduction cooling.

-Always read the fixtures complete installation instructions prior to installation for any additional fixture specific warnings.

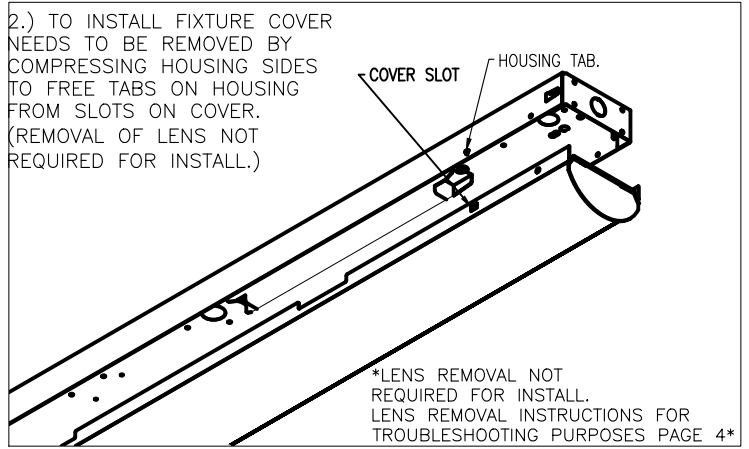


S/SDL LED INSTALLATION AND ASSEMBLY INSTRUCTIONS

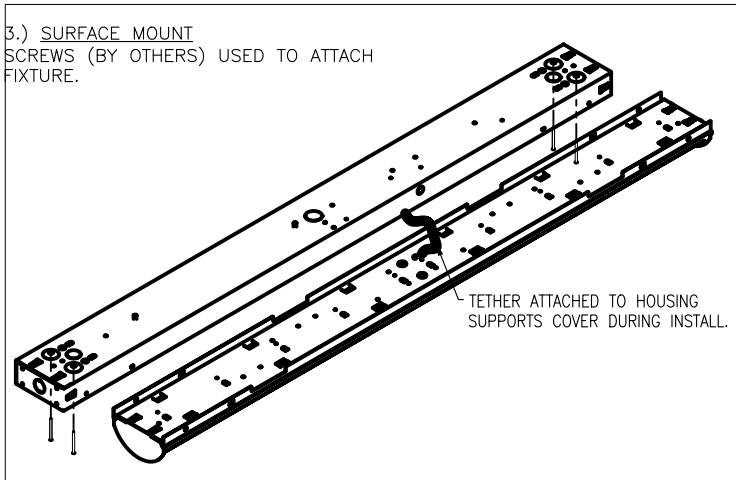
1.) UNPACK STRIP.



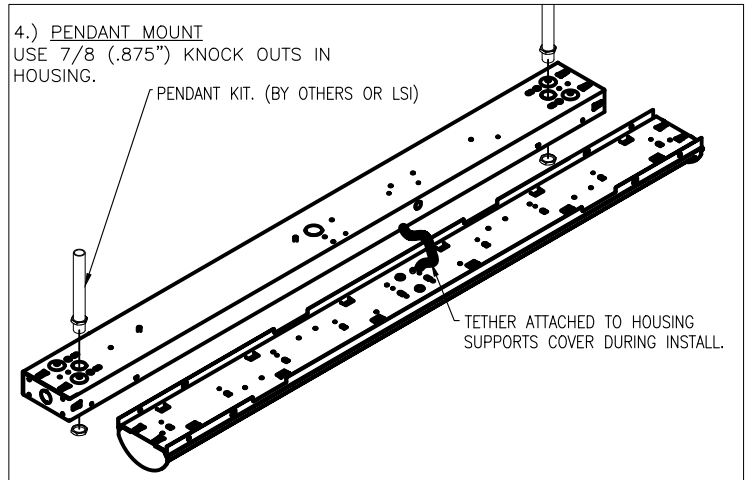
2.) TO INSTALL FIXTURE COVER NEEDS TO BE REMOVED BY COMPRESSING HOUSING SIDES TO FREE TABS ON HOUSING FROM SLOTS ON COVER. (REMOVAL OF LENS NOT REQUIRED FOR INSTALL.)



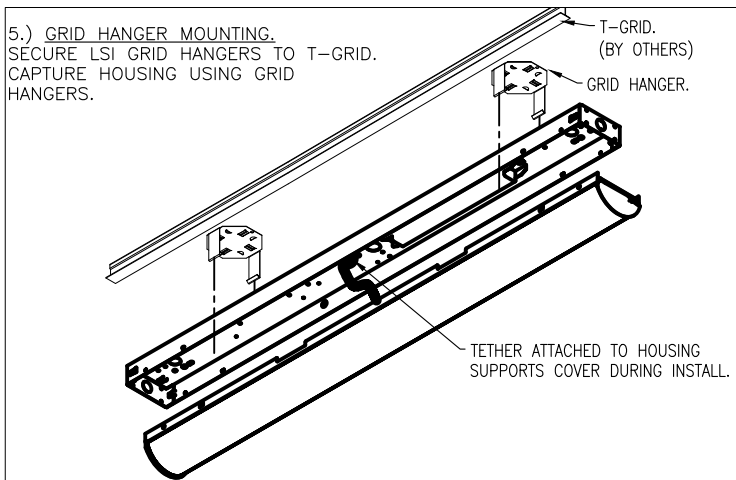
3.) SURFACE MOUNT SCREWS (BY OTHERS) USED TO ATTACH FIXTURE.



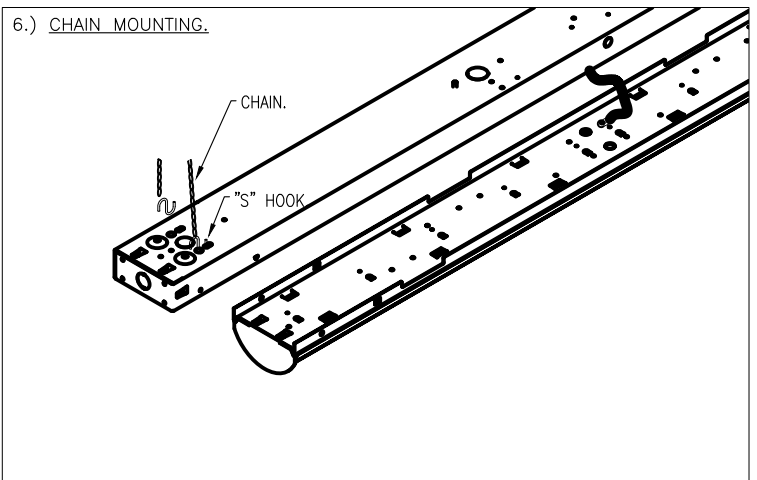
4.) PENDANT MOUNT USE 7/8 (.875") KNOCK OUTS IN HOUSING.



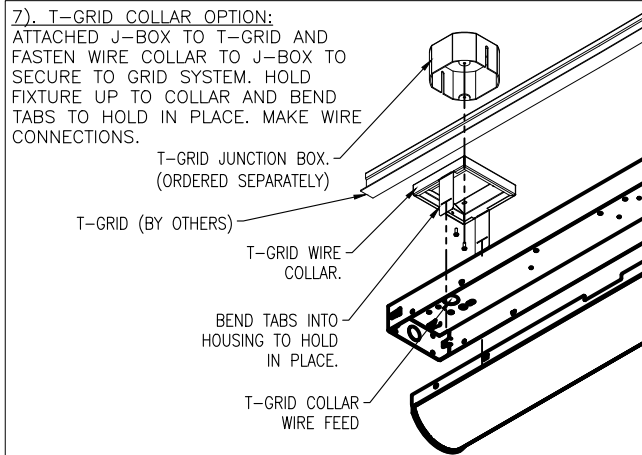
5.) GRID HANGER MOUNTING. SECURE LSI GRID HANGERS TO T-GRID. CAPTURE HOUSING USING GRID HANGERS.



6.) CHAIN MOUNTING.

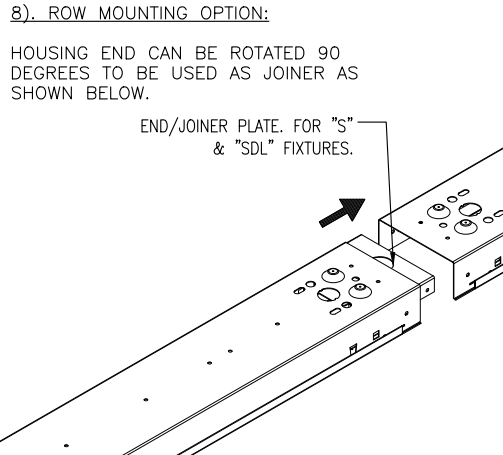


7.) T-GRID COLLAR OPTION: ATTACHED J-BOX TO T-GRID AND FASTEN WIRE COLLAR TO J-BOX TO SECURE TO GRID SYSTEM. HOLD FIXTURE UP TO COLLAR AND BEND TABS TO HOLD IN PLACE. MAKE WIRE CONNECTIONS.



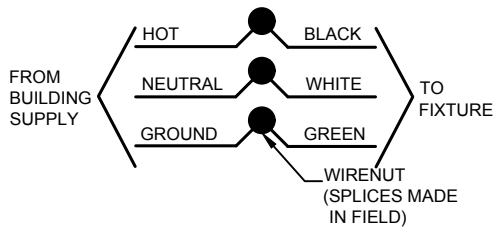
8.) ROW MOUNTING OPTION:

HOUSING END CAN BE ROTATED 90 DEGREES TO BE USED AS JOINER AS SHOWN BELOW.



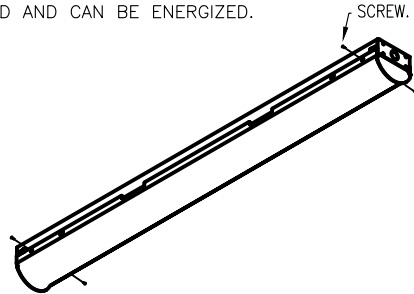
S/SDL LED INSTALLATION AND ASSEMBLY INSTRUCTIONS

9.) TYP. WIRING.



NOTE: SEE DRIVER FOR CURRENT AND VOLTAGE.

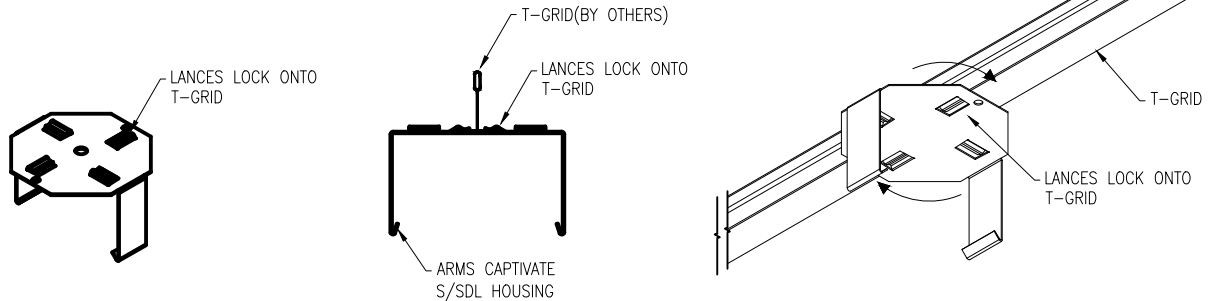
10.) REPLACE COVER AND REATTACH BY ALIGNING HOUSING TABS WITH SLOTS ON COVER. FIXTURE IS INSTALLED AND CAN BE ENERGIZED.



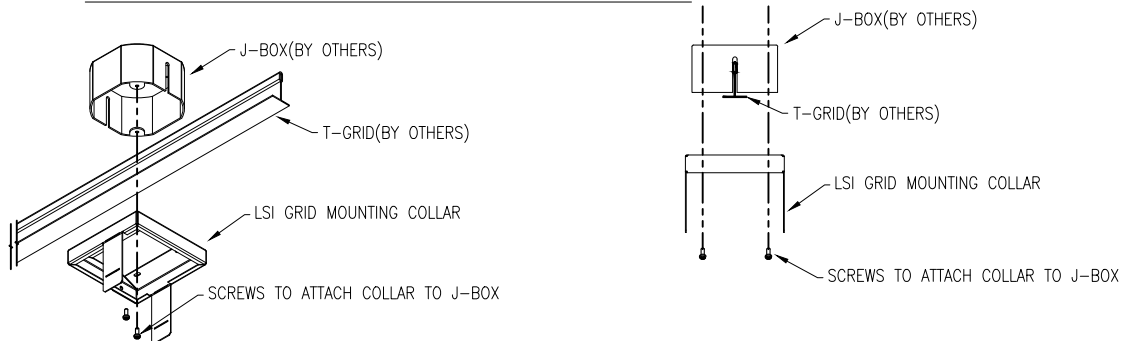
OPTIONAL-SECURE COVER TO HOUSING WITH SCREWS PACKAGED WITH FIXTURE.

S/SDL LED INSTALLATION AND ASSEMBLY INSTRUCTIONS MOUNTING ACCESSORIES

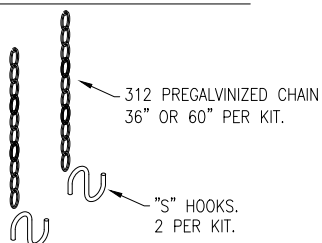
S/SDL GRID HANGER BRACKET LSI# 648480



S/SDL GRID MTG FEED COLLAR LSI# 555914

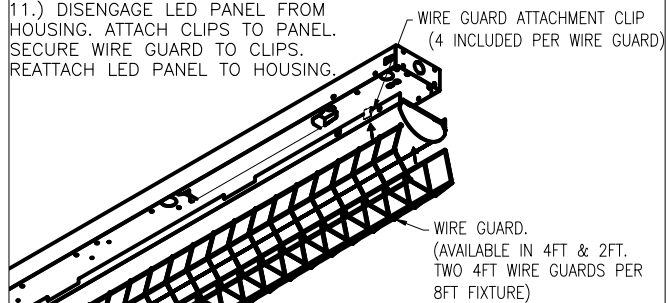


S/SDL CHAIN MTG KIT. LSI# M38258 36" & 251057 60".

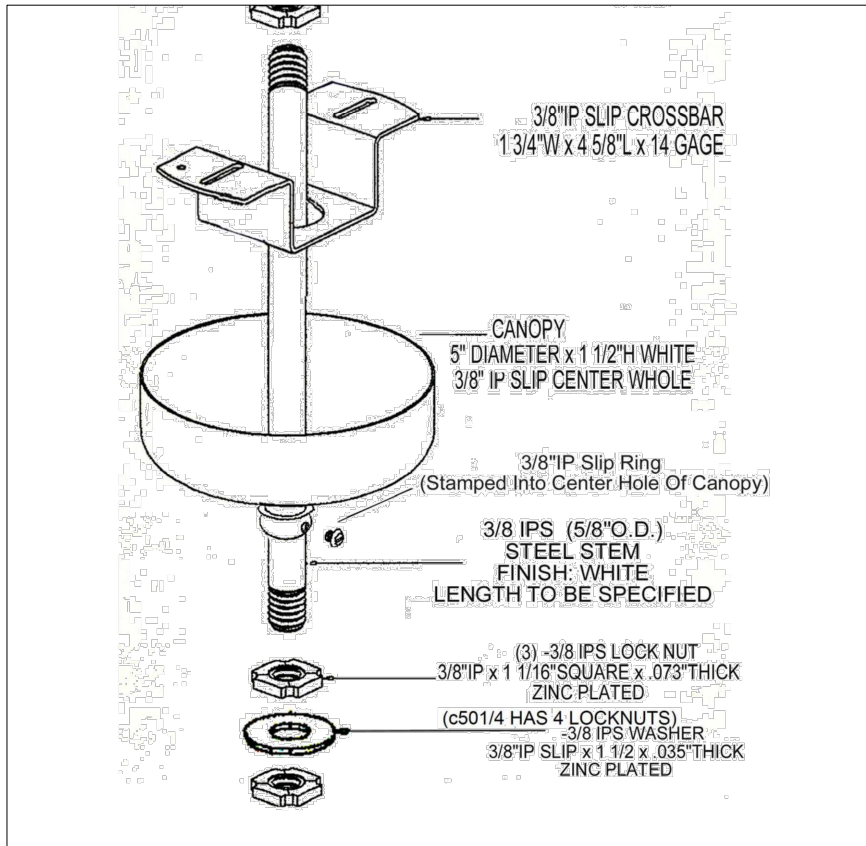


S/SDL WIRE GUARD

11.) DISENGAGE LED PANEL FROM HOUSING. ATTACH CLIPS TO PANEL. SECURE WIRE GUARD TO CLIPS. REATTACH LED PANEL TO HOUSING.



SDL PEDANT & CANOPY DETAIL



SDL HOUSING MOUNTING DETAILS:

