

_____ Project name

_____ Prepared by

/ / Date



AirLink™
enabled by Synapse®

Pole-mounted Occupancy Sensor 24V

Catalog #: **PMOS XXX 24V**
Part #: **663284**



LSI Controls' AirLink Pole-mounted Occupancy Sensor is one of the components of the AirLink Outdoor Wireless Lighting Control System. It provides the capability to integrate an outdoor motion sensor into the AirLink system. The sensor uses passive infrared technology to detect heat in motion (i.e. automobile or person entering coverage area).

The AirLink Outdoor Wireless Control System is comprised of 1 Site Manager Controller, 1 Override Switch, a Controller for each light fixture, optional Motion Sensors, optional Photo Sensors, optional Zone Controllers and optional Circuit Controllers.

Applications



Auto dealerships



Warehouses



Shopping centers



Parking facilities

Features

The AirLink PMOS provides occupancy-based control of outdoor lighting. The PMOS comes with an adaptor plate for mounting to a reinforced hand hole.

- 270° coverage pattern
- Front rotates for easy coverage adjustment
- Precision, double-shot tooling with internal silicon gaskets prevents water and dust contamination
- User-adjustable time delay from 12 seconds to 16 minutes
- Adjustable light level setting allows users to set the level at which lighting will turn on upon occupancy
- ASIC enhances reliability and helps to eliminate false triggers
- Pulse Count Processing eliminates false triggers and provide RFI and EMI immunity

Specifications

Regulatory Approvals

- cUL and UL Listed
- 1/2" threaded nipple fits standard NEMA weatherproof fixture fitting

Power and Performance

- Operating voltage: 24VDC operation
- Adjustable light level of 0.5 to 200 footcandles (5.4 – 2,152.8 lux)
- 270° coverage
- Operating environment: -40°F to 130°F (-40°C to 54°C)

Other

Warranty: 5-year limited warranty

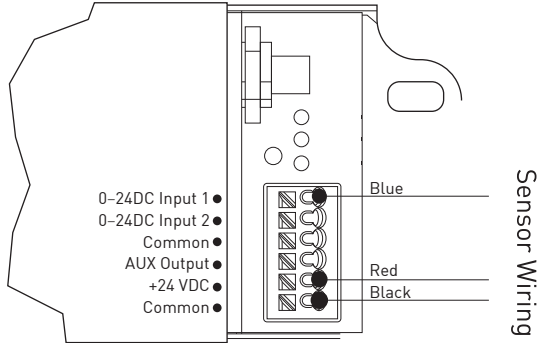
Dimensions: 6.7" x 3.2" x 2.2" (170mm x 80mm x 55mm)

Certifications & Affiliations

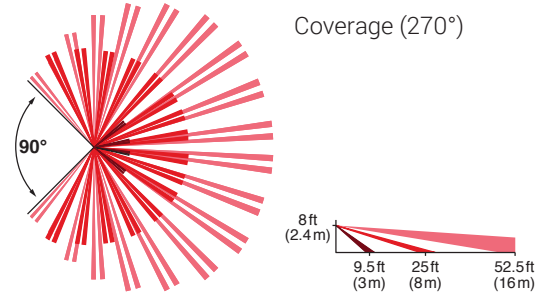




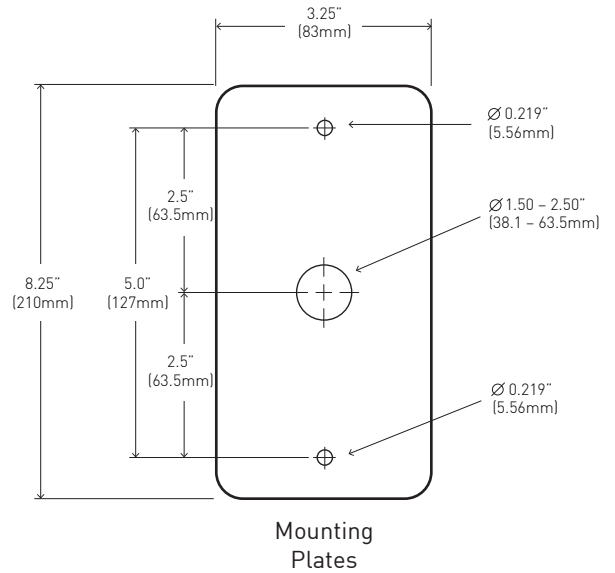
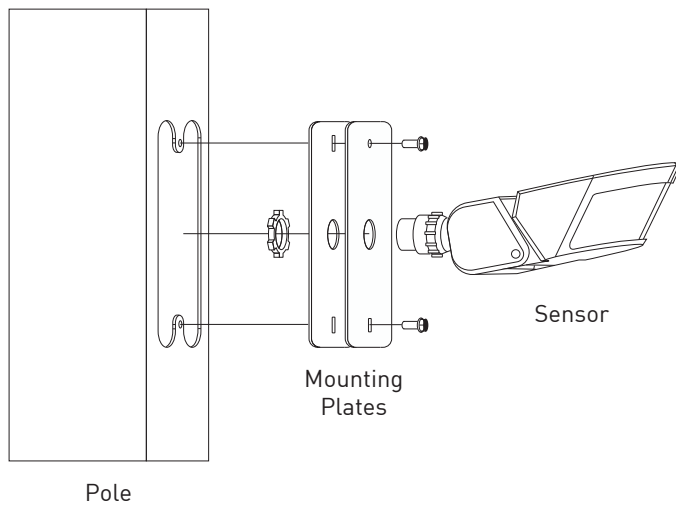
Wiring Diagrams



Coverage Pattern



Mounting



Ordering Information

Part #	Catalog #	Description
663284	PMOS XXX 24V	AirLink Synapse – Pole-mounted Occupancy Sensor

Replace "XXX" with desired color option of mounting plate (sensor ships as white):
Bronze [BRZ], Black [BLK], Graphite [GPT], Metallic Silver [MSV], White [WHT], Platinum Plus [PLP], Satin Verde Green [SVG]

Contact LSI Controls

Sales
controls.sales@lsi-industries.com

Support
controls.support@lsi-industries.com
1 (800) 436-7800 (support, option 8)

More information
For more information on AirLink, visit our website at www.lsi-airlink.com/airlink