

# Installation and Assembly Instructions OPT FS Series



## ⚠️ WARNING

### Risk of fire, electric shock, injury or property damage

Risk of electric shock--Disconnect power to equipment before installing or servicing.  
This equipment must be installed according to all applicable codes & ordinances.  
Installation and service of this equipment must be performed by qualified service personnel.  
Do not install damaged equipment.  
Read these instructions before installing, servicing or maintaining this equipment.  
Save these instructions for maintaining and servicing.

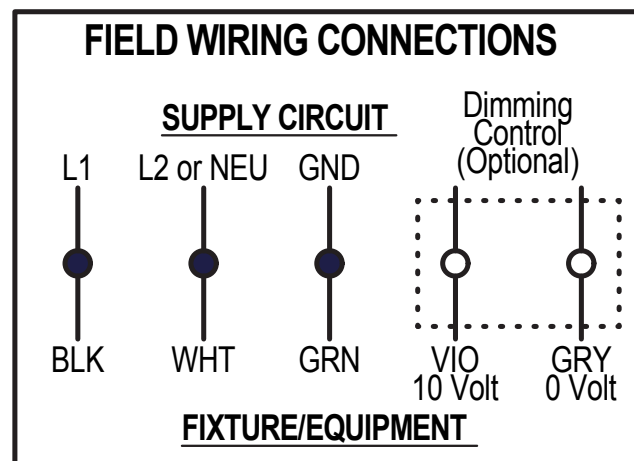
## ⚠️ CAUTION

Failure to follow instructions or altering equipment could result in damage and void warranty.  
Edges may cut--wear gloves while handling or servicing this equipment.  
Inspect equipment for damage from shipping and handling.

### LUMINAIRE PREPARATION

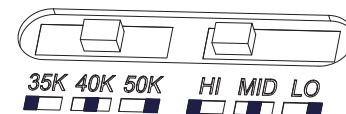
1. Remove the luminaire from the carton and inspect luminaire for damage. Do not install a damaged luminaire.

### WIRING INFORMATION



### SET FIXTURE OUTPUT

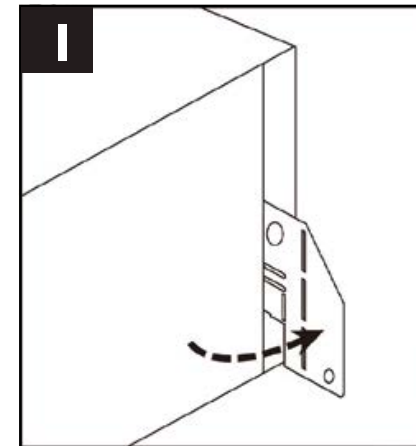
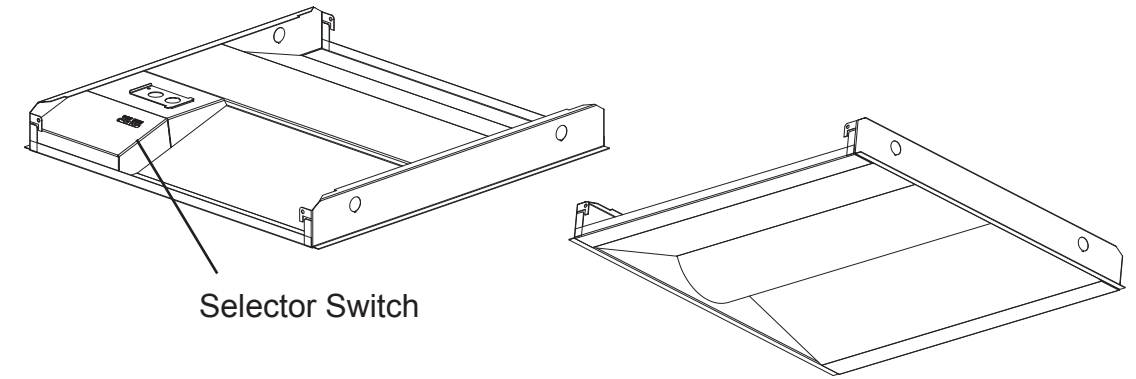
Set the selector switches, located near the wire access cover, to the desired CCT and wattage.  
Note: Factory default is 4000K (40K) and highest (HI) wattage.



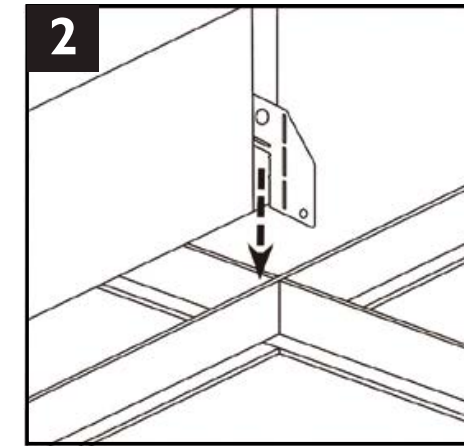
Installation Questions  
Call LSI Field Service Dept.  
800-436-7800 ext. 3300

# Installation and Assembly Instructions OPT FS Series

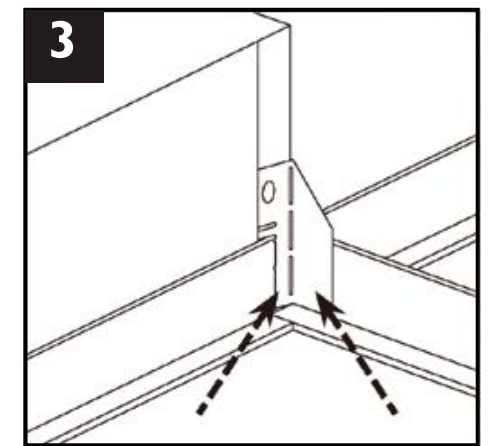
Luminaire available in 2 sizes designed to fit 24x24in and 24x48in T-grid spacings.



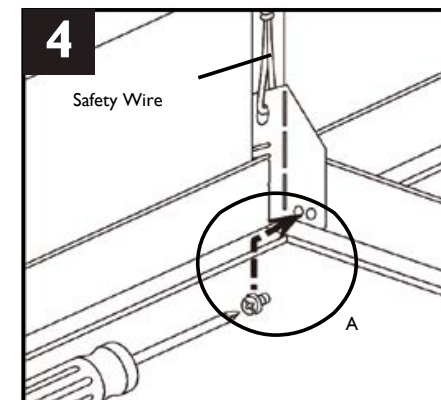
Steps 1: Bend out mounting tab 90 degrees on each corner.



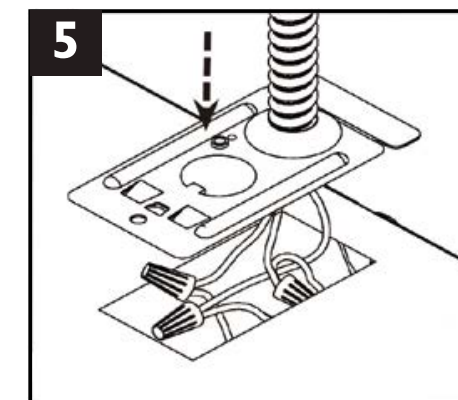
Steps 2: Lay fixture into T-grid.



Steps 3: Bend tabs flush against T-grid in order to clear corner for ceiling tile.



Steps 4: Use a #8x1/4" sheet metal screw to fasten fixture to T-grid and use a hanger wire to tie off appropriately in accordance with local building codes (screws and hanger wires supplied by others).



Steps 5: Ensure that the wiring of the last fixture in the row is properly terminated. Then make all electrical connections to the fixture. Attach the wiring access cover plate.

Installation Questions  
Call LSI Field Service Dept.  
800-436-7800 ext. 3300