

**NWWK SERIES LED RETROFIT INSTALLATION AND ASSEMBLY**  
**INSTRUCTIONS**

**WARNING! RISK OF FIRE OR ELECTRICAL SHOCK**  
Disconnect power before installing or servicing.

**WARNING:** Risk of fire or electrical shock. Luminaire wiring, power supply, or other electrical parts may be damaged when drilling for installation of retrofit assembly hardware. Inspect wiring and components for damage.

**WARNING:** Risk of fire or electric shock. Do not alter, relocate, or remove wiring, lampholders, power supply or any other electrical component if not instructed to.

**WARNING:** Risk of fire or electric shock. Installation of this retrofit assembly requires a person familiar with the construction and operation of the luminaire's electrical system and the hazards involved. If not qualified do not attempt installation. Contact a qualified electrician.

**WARNING:** Risk of fire or electrical shock. Install this kit only in the luminaires that have the construction features and dimensions shown on the drawings.

-Only those open holes indicated in the drawings may be made or altered as a result of kit installation. Do not leave any other open holes in an enclosure of wiring or electrical components.

-Verify that supply wiring voltage matches power supply voltage by comparing it with power supply label.

-Make all electrical and grounded connections in accordance with the National Electric Code (NEC) and any other applicable local code requirements.

-THE RETROFIT KIT IS ACCEPTED AS A COMPONENT OF A LUMINAIRE WHERE THE SUITABILITY OF THE COMBINATION SHALL BE DETERMINED BY CSA OR AUTHORITIES HAVING JURISDICTION.

-LED RETROFIT LUMINAIRE CONVERSION FOR USE IN ANY FLORESCENT LINEAR LUMINAIRES IN ACCORDANCE WITH THE INSTRUCTIONS PROVIDED WITH THIS RETROFIT KIT.

**CAUTION: RISK OF INJURY.**

- Wear gloves and safety glasses at all times when removing luminaire from carton, installing , servicing or performing maintenance.

-Allow lamp/luminaire/driver to cool before handling.

**NOTICE: RISK OF PRODUCT DAMAGE-** Failure to follow instructions could result in damage to product and void ALL warranties.

-Never connect components under load.

-Do NOT mount or support these fixtures in a manner that can cut the outer jacket or damage wire insulation.

-Do NOT restrict fixture ventilation. Allow for some volume of airspace around fixture. Avoid covering LED fixtures with insulation, foam, or other material that will prevent convection of conduction cooling.



Installation Questions?  
Call LSI Field Service Department at:  
1-800-436-7800 Ext. 3300 Fax 877-861-1368

# NWWK RETROFIT INSTALLATION AND ASSEMBLY INSTRUCTIONS

**WARNING:** Before proceeding, read all instructions carefully to insure proper and safe installation.

**WARNING:** Risk of fire or electrical shock. Disconnect power before installing or servicing.

**WARNING:** Risk of electrical shock. High temperatures inside luminaire. Make certain line voltage corresponds with ballast's primary voltage. (See ballast label).

**WARNING:** Risk of fire or electric shock. Install this kit only in the luminaires that has the construction features and dimensions shown in the photographs and/or drawings.

**WARNING:** Risk of fire or electric shock. If not qualified, do not attempt installation. Contact a qualified electrician.

**WARNING:** This product must be installed in accordance with the applicable installation code by a person familiar with construction and operation of the product and the hazards involved.

**WARNING:** To prevent wiring damage or abrasion, do not expose wiring to edges of sheet metal or other sharp objects.

**WARNING:** Do not touch the LEDs or place them face down on a surface as damage may occur. Doing so could contribute to premature failure.

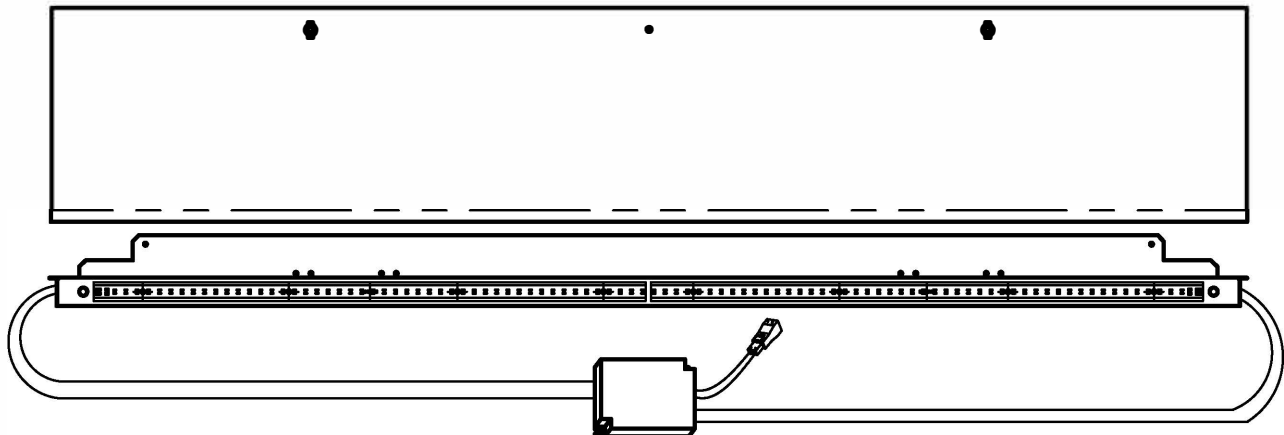
**IMPORTANT:** When removing lamps, always wear eye protection. Make sure area below fixture is clear.

**IMPORTANT:** Not every unit is identical! Placement of proper luminaire section (by length, emergency option, etc.) within each row is important. Refer to layout drawing to verify row identification, product location, and feed points!

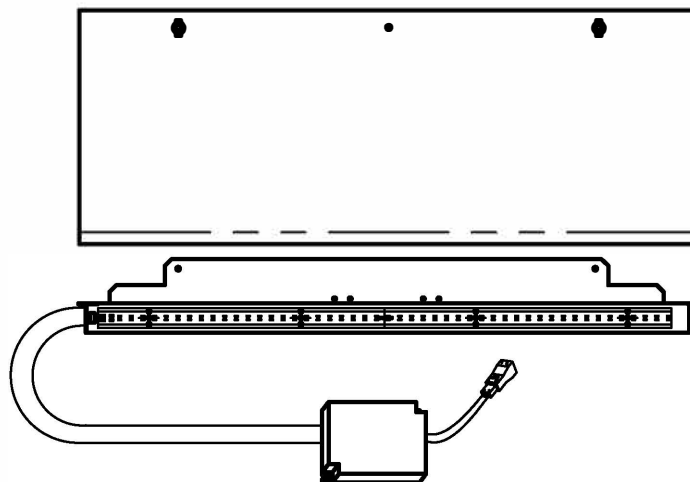
**Note:** Do not make or alter any open holes in an enclosure of wiring or electrical components during kit installation.

**THIS RETROFIT KIT IS ONLY FOR USE WITH LSI INDUSTRIES INC. MODEL NWW FIXTURE!**

## 1.) CHECK PARTS LIST. (EXTRA HARDWARE MAY BE SUPPLIED)



**4FT KIT:** ONE(1) 4FT PANEL. TWO(2) LED BOARDS PER PANEL  
ONE(1) 4FT MATTE WHITE REFLECTOR WITH TWO(2)  $\frac{1}{4}$  TURN FASTENERS  
ONE(1) 30W OR 40W DRIVER.  
TWO(2) #6 SELF DRILLING SCREWS. (FOR DRIVER)  
THREE(3) #8 SELF DRILLING SCREWS. (2 FOR MOUNTING PLATE, 1 FOR REFLECTOR)



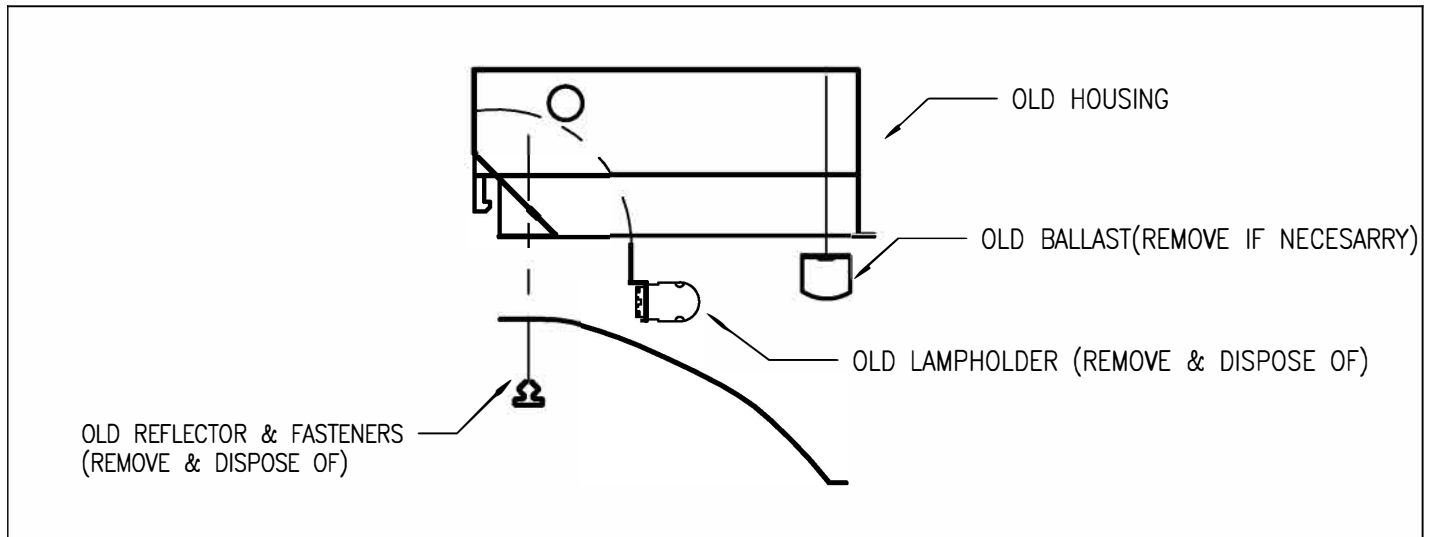
**2FT KIT:** ONE(1) 2FT PANEL. ONE(1) TO THREE(3) LED BOARDS PER PANEL  
ONE(1) 2FT MATTE WHITE REFLECTOR WITH TWO(2)  $\frac{1}{4}$  TURN FASTENERS  
ONE(1) 25W OR 12W DRIVER.  
TWO(2) #6 SELF DRILLING SCREWS. (FOR DRIVER)  
THREE(3) #8 SELF DRILLING SCREWS. (2 FOR MOUNTING PLATE, 1 FOR REFLECTOR)



Installation Questions?  
Call LSI Field Service Department at:  
1-800-436-7800 Ext. 3300 Fax 877-861-1368

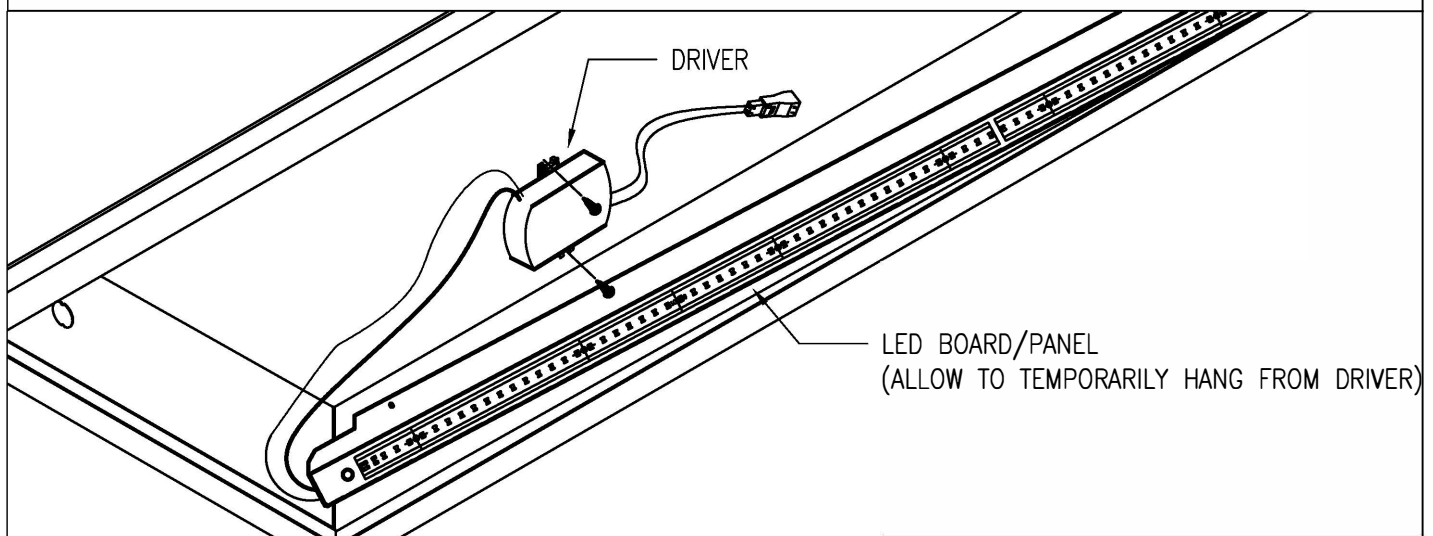
## NWWK RETROFIT INSTALLATION AND ASSEMBLY INSTRUCTIONS (Cont.)

THE FOLLOWING INSTRUCTIONS ARE REPRESENTATIVE OF ALL KITS



2.) SHUT OFF POWER TO EXISTING FIXTURE. REMOVE EXISTING LAMPS. REMOVE REFLECTOR AS SHOWN IN FIXTURE SIDE VIEW ABOVE. DISCONNECT POWER FROM EXISTING BALLAST. EXISTING BALLAST CAN REMAIN IF IT DOES NOT INTERFERE WITH INSTALLATION OF NEW DRIVER. DISPOSE OF/RECYCLE LAMPS, REFLECTOR AND LAMP HOLDERS APPROPRIATELY PER STATE AND LOCAL CODES.

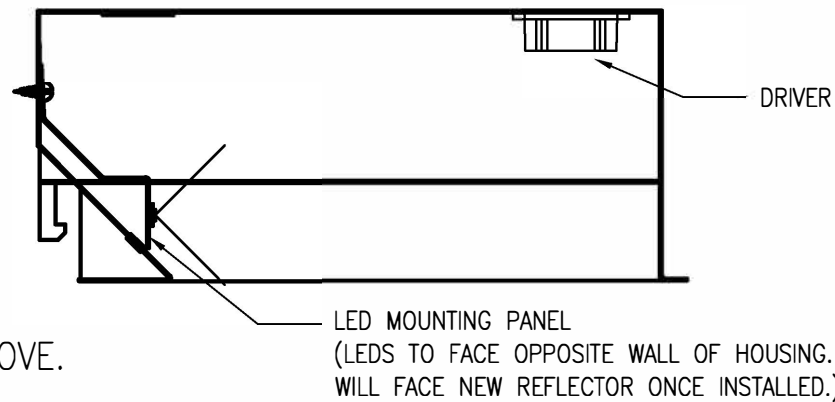
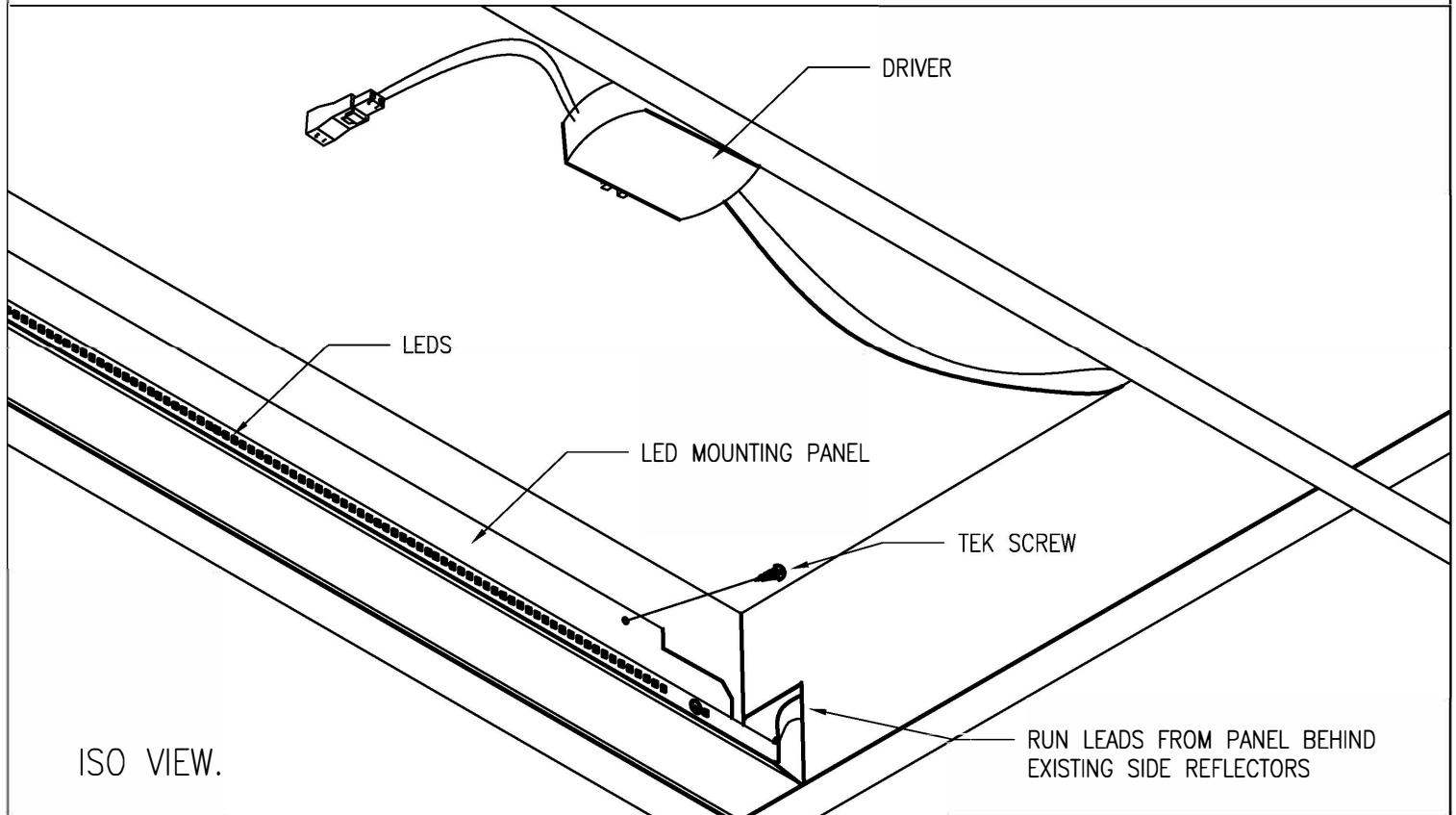
**IMPORTANT:** DO NOT REMOVE SPECULAR REFLECTORS ON SIDES OF EXISTING HOUSING.



3.) USE PROVIDED SELF DRILLING SCREWS TO MOUNT DRIVER INSIDE EXISTING HOUSING.

NOTE: ALL DRIVERS ARE RATED 120-277AC INPUT. IF SUPPLY VOLTAGE IS 347/480 A STEP DOWN TRANSFORMER (ORDERED SEPARATELY) IS REQUIRED.

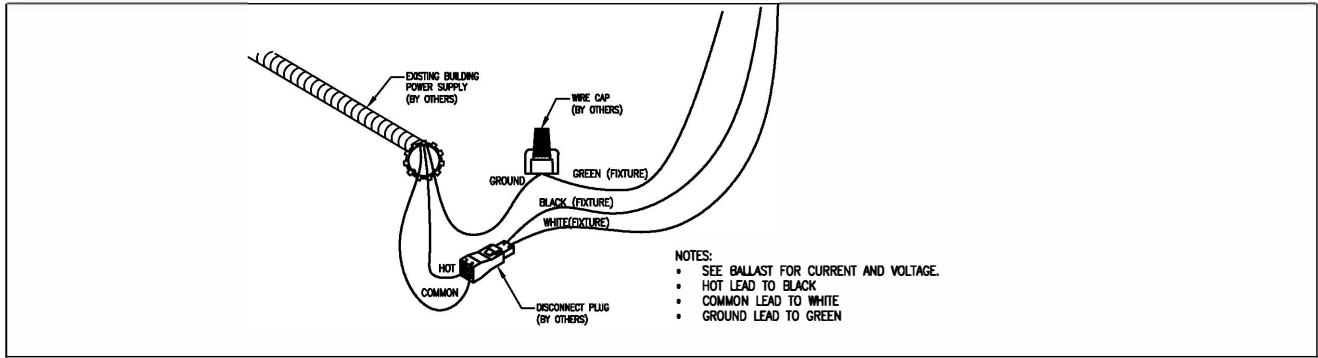
## NWWK RETROFIT INSTALLATION AND ASSEMBLY INSTRUCTIONS (Cont.)



4.) USE PROVIDED SELF DRILLING SCREWS TO MOUNT LED PANEL INSIDE EXISTING HOUSING. MOUNT PANEL TO SLOPED SIDE OF HOUSING. USE PROVIDED SELF DRILLING SCREWS TO ATTACH AS SHOWN. BE SURE THAT LEADS FROM PANEL TO DRIVER RUN BEHIND THE EXISTING SPECULAR REFLECTORS ON THE SIDES OF THE HOUSING.

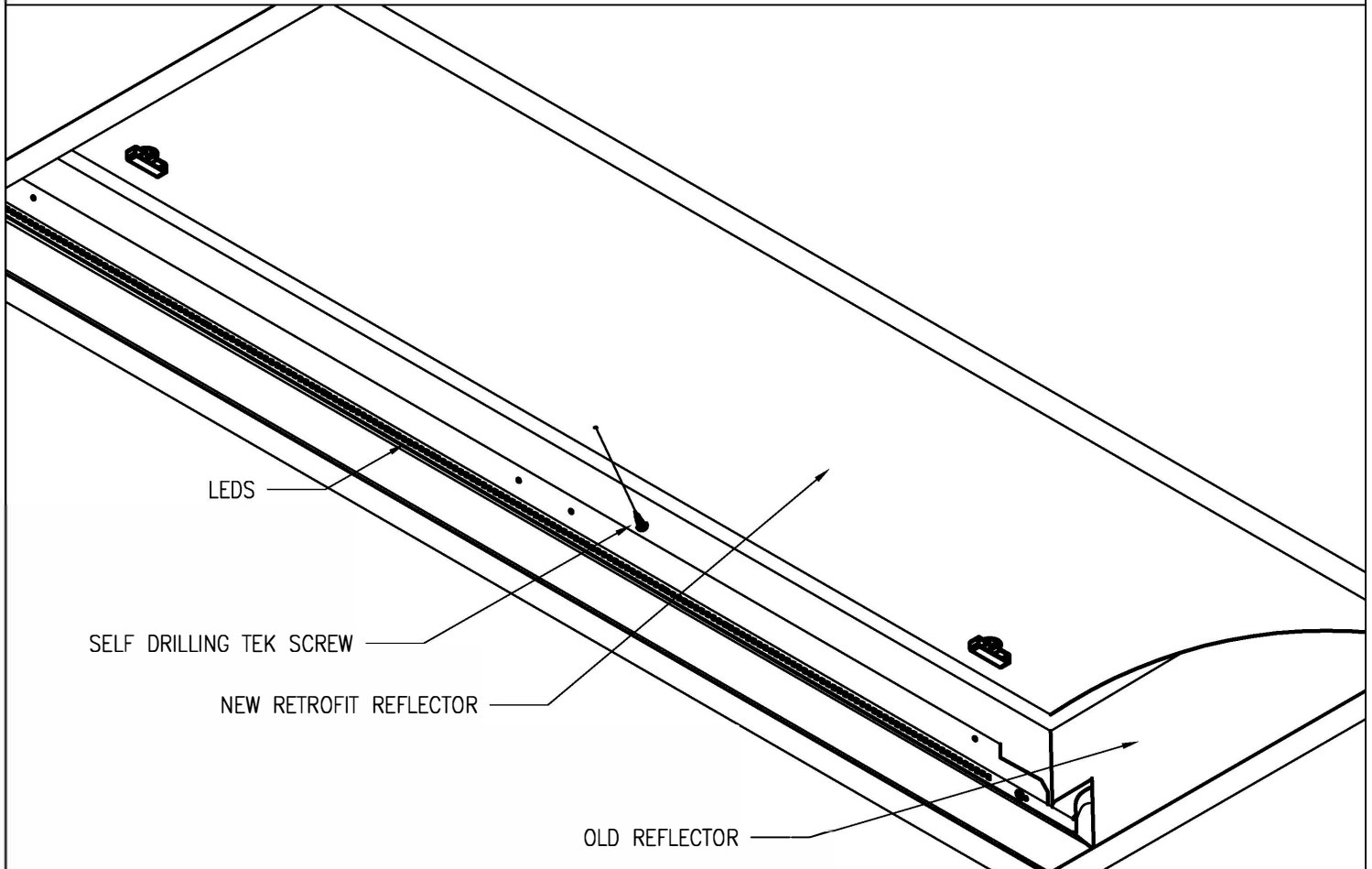
IMPORTANT: DRIVER MUST BE MOUNTED MINIMUM OF 3" FROM END OF HOUSING AND A MINIMUM OF 3" FROM STEP DOWN TRANSFORMER (IF EQUIPPED).

## NWWK RETROFIT INSTALLATION AND ASSEMBLY INSTRUCTIONS (Cont.)



5.) ATTACH POWER SUPPLY USING UL LISTED WIRE CONNECTORS.

**IMPORTANT NOTE! EXISTING MASTER/AUXILIARY WIRING SCHEMES INCOMPATIBLE WITH LED RETROFIT. POWER MUST BE ROUTED TO EACH DRIVER.**



6.) USING PROVIDED FASTENERS, ATTACH NEW REFLECTOR TO HOUSING. FASTEN AT THE CENTER USING PROVIDED SELF DRILLING TEK SCREW. SCREW DIRECTLY TO OLD HOUSING TO ESTABLISH GROUND CONTINUITY. DRIVER, LEADS FROM LED PANEL & CONNECTIONS FROM DRIVER TO POWER SHOULD BE COVERED BY EXISTING AND NEW REFLECTORS,

**FIXTURE NOW READY TO BE ENERGIZED.**



Installation Questions?  
Call LSI Field Service Department at:  
1-800-436-7800 Ext. 3300 Fax 877-861-1368