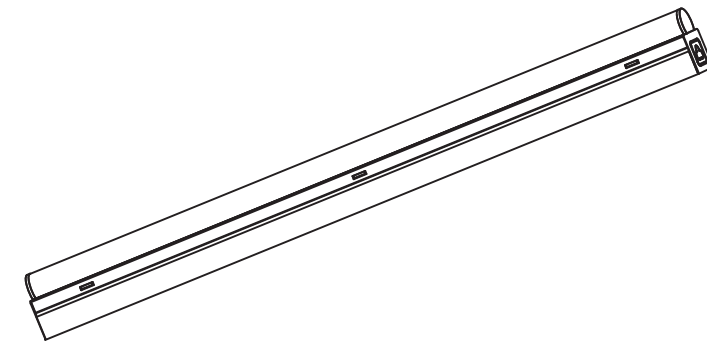




4ft Mini Led Strip 2000 Lumen, 4000K

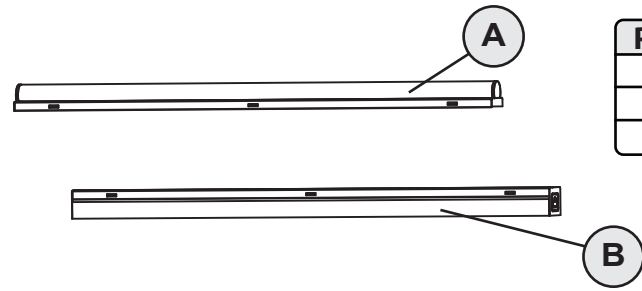
Installation Instructions



Installation Questions?
Call LSI Field Service Department at:
1-800-436-7800 Ext. 3300
Fax: 1-877-861-1368

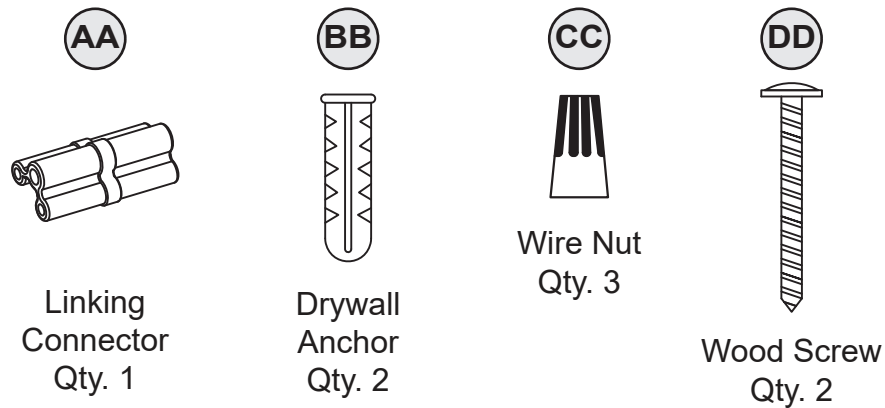


PACKAGE CONTENTS



Part	Item Name	Qty.
A	LED cover assembly	1
B	Housing base	1

HARDWARE CONTENTS



SAFETY INFORMATION

Please read and understand this entire manual before attempting to assemble, operate or install the product. Failure to do so could lead to electric shock, fire or other injuries that could be hazardous or even fatal.

- Be sure the electricity to the wires you are working on is shut off. Either remove the fuse or turn off the circuit breaker.
- Changes or modifications not expressly approved by the party responsible for compliance could void the user's authority to operate the equipment.
- This product must be installed in accordance with local, state and national electrical codes.
- Installation work shall be completed by a licensed installer that is familiar with the construction and operations of the product.

CAUTION:

- This product is dimmable with 0-10v dimming systems only.

NOTICE

- This device complies with Part 15 of the FCC Rules. Operation is subject to the following two conditions: (1) This device may not cause harmful interference, and (2) this device must accept any interference received, including interference that may cause undesired operation.

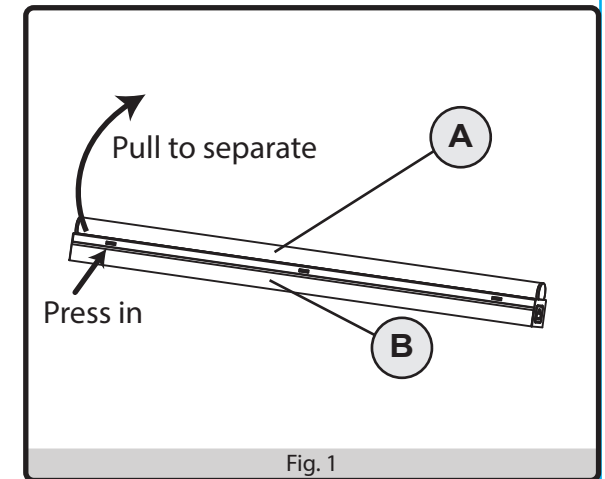
SAFETY INFORMATION

NOTICE:

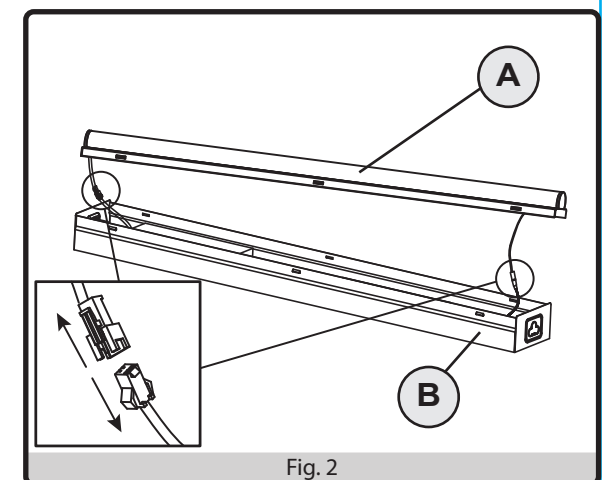
- This equipment has been tested and found to comply with the limits for a Class B digital device, pursuant to part 15 of the FCC Rules. These limits are designed to provide reasonable protection against harmful interference in a residential installation. This equipment generates, uses and can radiate radio frequency energy and, if not installed and used in accordance with the instructions, may cause harmful interference to radio or television reception, which can be determined by turning the equipment off and on. The user is encouraged to try to correct the interference by one or more of the following measures:
 - Reorient or relocate the receiving antenna.
 - Increase the separation between the equipment and the receiver.
 - Connect the equipment into an outlet on a circuit different from that to which the receiver is connected.
 - Consult the dealer or an experienced radio/TV technician for help.

INSTALLATION INSTRUCTIONS

1. Gently press housing base (B) near one end of the fixture while pulling the metal part of the LED cover assembly (A) so that housing separates at the seam as shown.

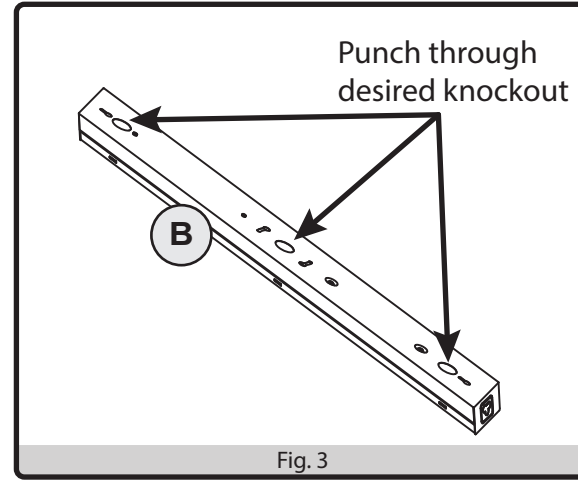


2. Locate the wiring quick disconnect connectors between the two halves and release the connectors to separate the wires between the two halves. Set aside the LED cover assembly (A).

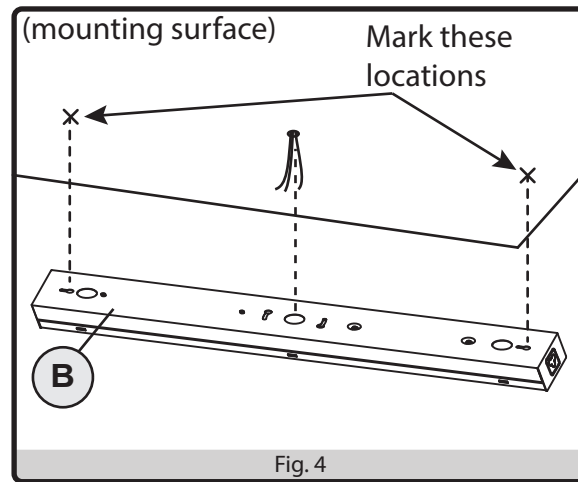


INSTALLATION INSTRUCTIONS

3. Set aside the LED cover assembly (A), and set the housing base (B) on a firm surface with the back side facing up. Determining which knockout will be used to align with the wiring from the mounting surface and using a screwdriver, punch out the knockout hole and dispose of the knockout.



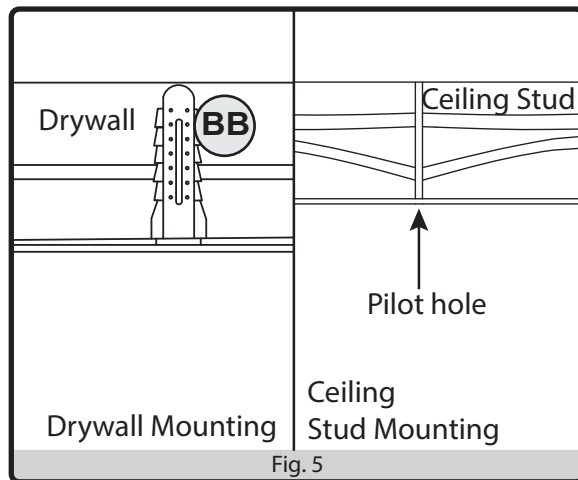
4. Align knockout hole with the supply wire location on the mounting surface and hold the housing base (B) up in its intended location with one hand while marking the location of the two keyhole slots at each end of the fixture plate.



5. **DRYWALL MOUNTING:** If the mounting holes go through drywall without a stud, drill four small pilot holes using a 1/8-in. drill bit (not included), and install drywall anchors (BB) into the holes with a hammer (not included).

CEILING STUD MOUNTING: If the mounting holes go through ceiling studs, drill four small pilot holes using a 5/32-in. drill bit (not included) for the wood screws (DD).

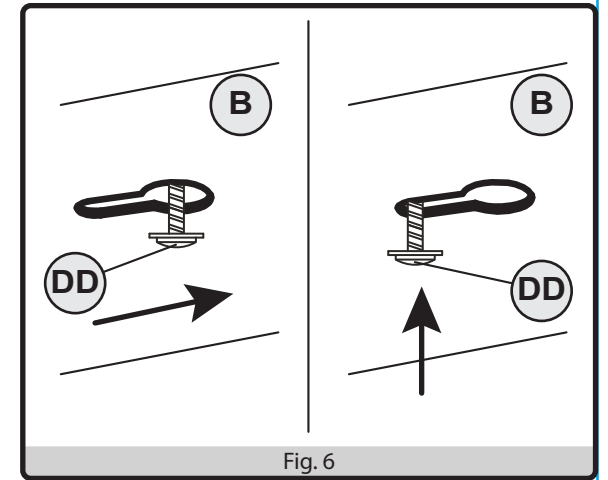
NOTE: Install Wood screws (DD) but leave about 1/2-in. of space between the screw head and mounting surface.



INSTALLATION INSTRUCTIONS

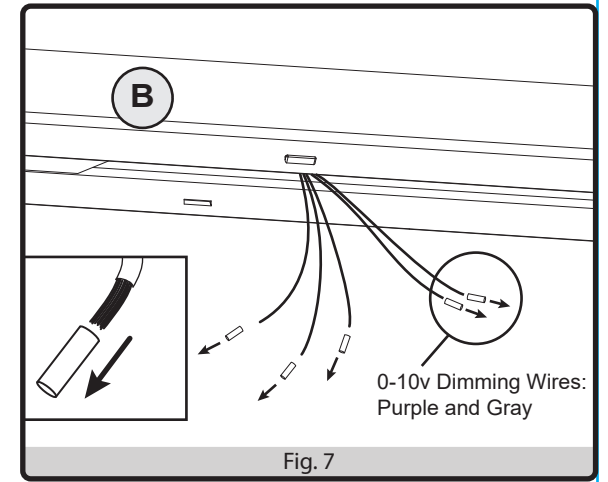
6. Feed the supply wires from the mounting surface through the knockout hole on the housing base (B). Guide the heads of the two wood screws into the keyhole slots and slide the housing base (B) in the direction such that the wood screw heads rest over the narrow part of the keyhole slot. Ensure that the fixture is supported and tighten the two wood screws (DD) until the fixture is secured to the mounting surface.

CAUTION: Tighten the screw on the side closest to the driver module first, then tighten the other side after.



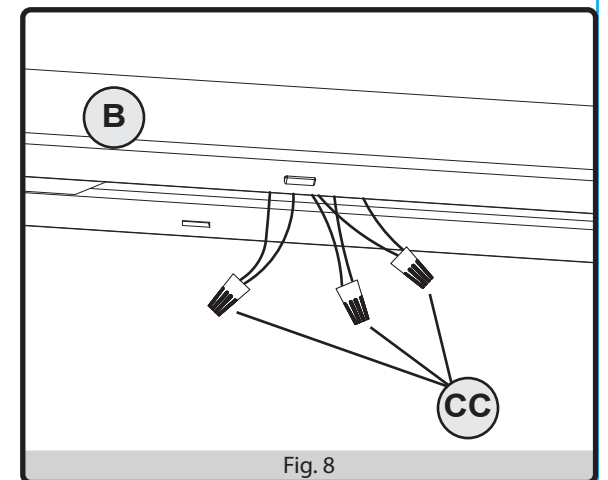
7. Remove the heat shrink tubing wrap from the ends of the black, white, and green wires in order to expose the copper wires prior to connecting to the building supply lines.

NOTE: If 0-10v dimming system is available, connect the purple and gray wires to the corresponding purple and gray wires in the building dimming system. If no dimming is required, leave the heat shrink tubing on these wires.



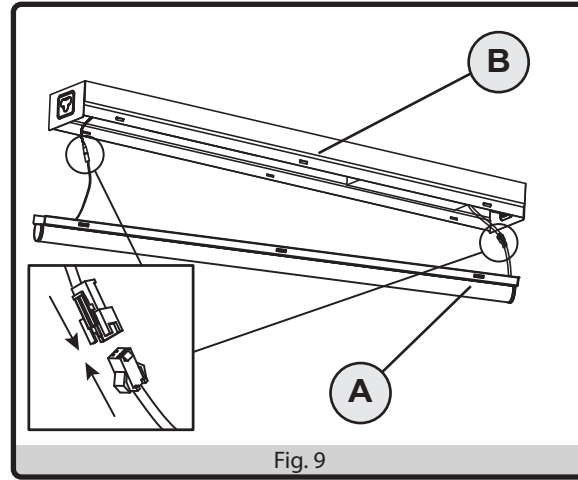
8. Connect the fixture wires to the supply wires -- black to black, white to white, and green to copper/bare. **WARNING:** If there is no ground supply wire, stop installation and consult a qualified electrician.

Once wire connections are made, secure each with a wire nut (CC).

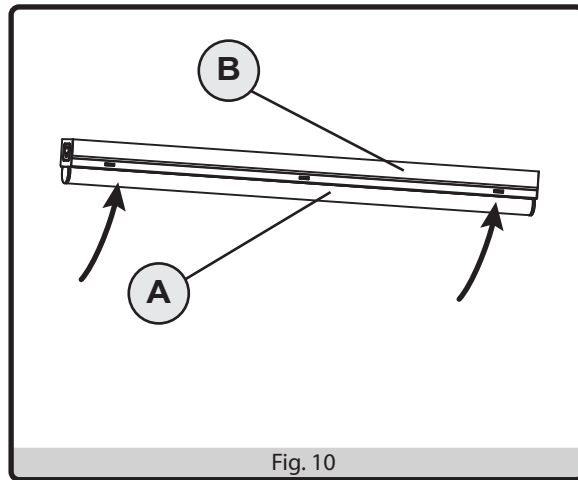


INSTALLATION INSTRUCTIONS

9. Re-connect the connectors between the housing base (B) and LED cover assembly (A).

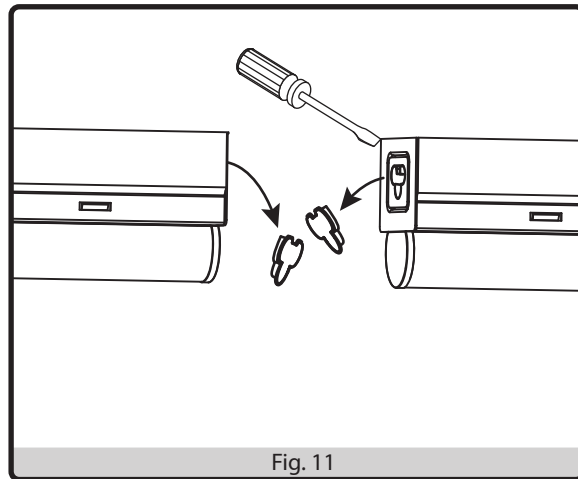


10. Snap the LED cover assembly (A) back onto the housing base (B) to complete the installation.



INSTRUCTIONS FOR LINKING 2 OR MORE FIXTURES TOGETHER

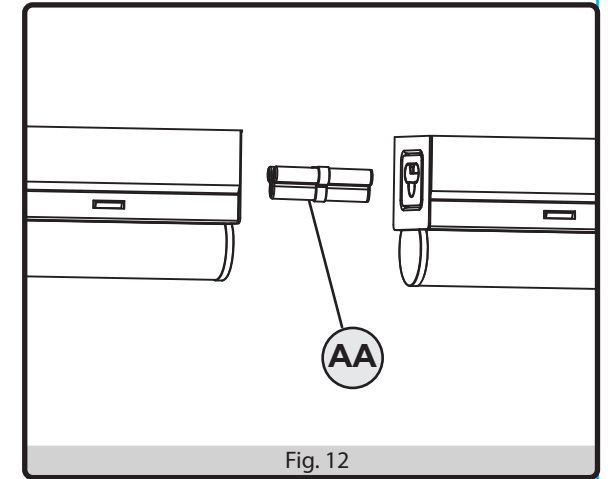
11. The cover over the linking port on each side of the adjacent fixture will need to be pried off first before two fixtures can be linked together. Use a small flathead screwdriver and gently pry off the cover plate.



INSTALLATION INSTRUCTIONS

12. If linking two or more fixtures together, power to each subsequent fixture can be made by using the linking connector (AA) where only the first fixture needs to be electrically hardwired and all linked fixtures only need to be mechanically secured to the mounting surface.

CAUTION: The maximum number of fixtures allowed to be linked together is 15, please do not exceed this when planning the electrical circuit for the installation of this item.



CARE AND MAINTENANCE

Clean with a mild, non-abrasive glass cleaner and soft cloth. Do NOT use solvents or cleaners containing abrasive agents. When cleaning the fixture, make sure the power is turned off, and any liquid spray should be applied to the cleaning cloth and not sprayed directly onto the fixture itself.

TROUBLESHOOTING

Problem	Possible Solution	Corrective Action
Fixture does not light.	1. Power is off. 2. Incorrect wire connection. 3. Defective wall switch.	1. Check circuit breaker or wall switch. 2. Check wire splices. 3. Replace switch.
Circuit breaker trips when light is turned on.	Crossed wires or power wire is grounded out.	Verify wires are correctly connected.

WARRANTY

Limited 5-Year Warranty.