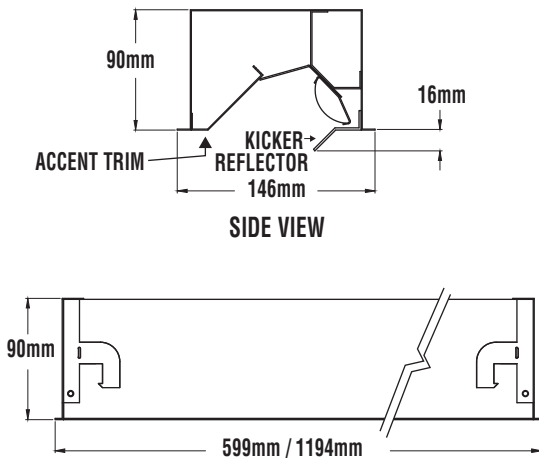


LED MICRO WALL WASH METRIC (MWW6)



DIMENSIONS



LIGHT OUTPUT - MWW LED								
Description	SS - Super Saver			HO - High Output			Watts	
	WW	NW	CW	WW	NW	CW	SS	HO
600mm	1760	2060	2200	2070	2410	2650	28	35
1200mm	1970	2110	2370	3000	3200	3690	28	45

PRODUCT HIGHLIGHTS

- Recessed installation hides source while providing uniform illumination of vertical surfaces / displays
- Narrow design for design specific applications
- Accent finish options for brightness control and aesthetics
- Very high efficiency

EXPECTED LIFE - Projected life of at least 60,000 hours. Contact factory for TM-21 detail.

LEDs - Use of closely-spaced medium-power, high-brightness chips minimizes pixelation and provides uniform lens luminance. Available in Cool White (5300K), Neutral White (4100K) and Warm White (3500K) color temperatures. CRI \geq 80 (CW $>$ 70). LM-80 reports available.

HOUSING - Housing, brackets and end sections are constructed from code gauge, die formed steel. All metal parts are painted after fabrication following a treatment with a phosphate rust inhibitor.

SHIELDING/LENS: High Performance 95% reflective white reflector is standard for precision directed wall wash use. Optional accent trim and kicker reflector trim finishes available for many decorative applications.

MOUNTING: Designed for either grid or hard ceiling installations where ceiling access may be limited or completely restricted. All internal components are accessible from below the ceiling.

ELECTRICAL - Universal voltage (120-277 Vac) input, 50/60 Hz. Power factor $>$ 0.9, THD $<$ 20%, in-rush current $<$ 15 Amps.

DRIVER - High-performance isolated driver features over-voltage, over-current and short-circuit (with auto-recovery) protection. Driver module is sealed to IP66 protection levels, with a Class A sound rating. 0-10 volt dimming available.

FINISH - All metal parts painted after fabrication following treatment with phosphate rust inhibitor. Finish coating of housing reflecting surfaces is with high-reflectance (minimum 92%) polyester powder.

WARRANTY - Limited 5-year warranty.

PHOTOMETRICS - Please visit our web site at www.lsi-industries.com for detailed photometric data.

LISTING - Listed to UL1598 and other U.S. and Canadian safety standards.

This product, or selected versions of this product, meet the standards listed below. Please consult factory for your specific requirements.



ORDERING INFORMATION

TYPICAL ORDER EXAMPLE: **MWW 6 LED HO NW WHT BLK UE DIM**

Prefix	Length	Light Source	Lumen Output	Color Temperature	Accent Trim Finish	Kick Reflector Finish	Line Voltage	Options
MWW - LED Wall Wash	6 - 600mm 12 - 1200mm	LED	HO - High Output SS - Super Saver	CW - Cool White WW - Warm White NW - Neutral White	BLK - Black WHT - White	BLK - Black SLVR - Silver WHT - White	UE - Universal Electronic (120-277V)	DIM - 0-10V Dimming

1- EM ballast available only with a remote test switch

ACCESSORY ORDERING INFORMATION (Accessories are field installed)			
Description	Order Number	Description	Order Number
Flange Kit - 600mm	FKMWW2 Metric	Flange Kit - 1200mm	FKMWW4 Metric



Project Name _____ Fixture Type _____
Catalog # _____

11/07/14
© 2015
LSI INDUSTRIES INC.