

INSTALLATION AND ASSEMBLY INSTRUCTIONS

IHB INDUSTRIAL HIGH BAY LUMINAIRE SERIES



NOTE - This instruction sheet covers the ballast portion only. See Reflector installation sheet for reflector/refractor portion!

WARNING: Risk of fire or electrical shock. Disconnect power before installing or servicing.

WARNING: Verify the existing input voltage and choose matching voltage on Multi-tap ballast before wiring.

WARNING: Before proceeding, read all instructions carefully to ensure proper and safe installation.

IMPORTANT: Determine which mounting method is desired. Follow specific instructions for specific mounting method.

DIRECT MOUNT, Figures 1 & 2

1. Mounting plate is shipped separately. Secure mounting plate, tabs facing downward, onto junction box (not supplied) using appropriate screws (not supplied).
2. With ballast portion assembly of luminaire in hand, hang assembly from mounting plate's (2) tabs. Assembly will hang from mounting plate for wiring.
3. Wire per National Electrical Code and local code. All electrical connections can be placed inside luminaire or junction box.

IMPORTANT: Ground luminaire using assembly's supplied ground wire!

WARNING: Make certain supply wiring is not "hot" before wiring. Make certain line voltage corresponds with ballast's primary voltage. See ballast label. Cap off all unused leads individually!

4. Swing assembly upwards, so assembly is parallel with junction box. Secure assembly to mounting plate's remaining single tab, using supplied screw.
5. This completes the ballast portion installation. Proceed to reflector/refractor portion.

HOOK, CORD & PLUG MOUNT, Figures 3 & 4

1. Mounting plate and cord/plug assembly is shipped separately.
2. Hook is already secured to mounting plate. Feed cord-end of cord/plug assembly thru slot next to hook, so that plug is on same side (top side) as hook. On bottom side, tie an overhand knot in cord end. Knot provides strain relief for cord/plug assembly.
3. With mounting plate/cord assembly near luminaire top, make electrical connections. Wire per National Electrical Code and local code. All electrical connections can be placed inside luminaire.

Junction box
(not supplied)

Figure 1

Mounting
plate

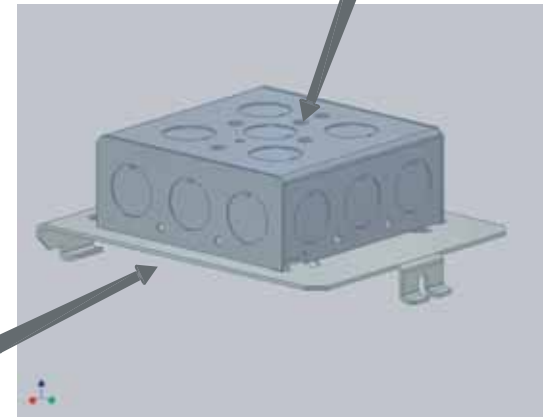
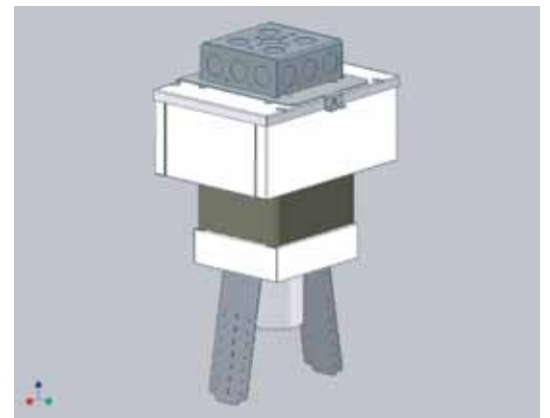


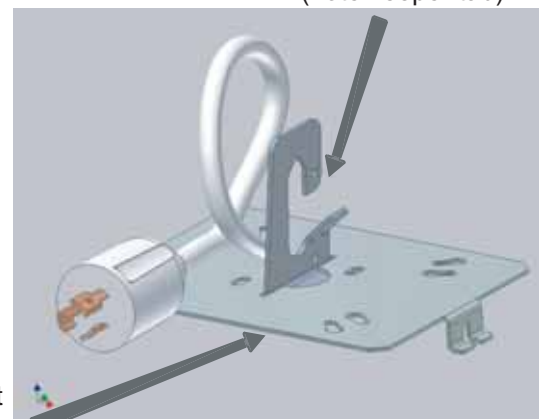
Figure 2



Installed hook
(note keeper tab)

Figure 3

Over-hand knot
in cord on under-
side of plate



INSTALLATION AND ASSEMBLY INSTRUCTIONS, cont'd.

HOOK, CORD & PLUG MOUNT, Figures 3 & 4, cont'd.

IMPORTANT: Ground luminaire using supplied ground wire!

WARNING: Make certain supply wiring is not "hot" before wiring.

Make certain line voltage corresponds with ballast's primary voltage. See ballast label. Cap off all unused leads individually!

4. Secure mounting plate/cord assembly to luminaire top by:
 - A. Inserting both tabs of mounting plate into slots of luminaire top at an angle, then
 - B. swing mounting plate/cord assembly downward, so plate is flush with luminaire top, then
 - C. secure mounting plate's remaining single tab, to luminaire using supplied screw.

IMPORTANT - Make sure wires are not pinched between mounting plate and luminaire top!

5. Hang luminaire hook onto suitable eyebolt (not supplied).
6. Bend hook keeper up into place, to secure hook to eyebolt.
7. This completes the ballast portion installation. Proceed to reflector/refractor portion.

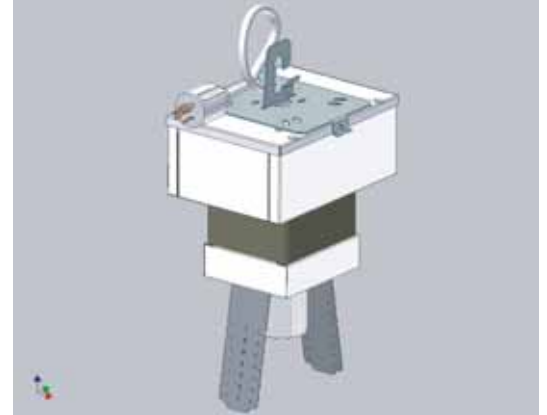


Figure 4

PENDANT (CONDUIT) MOUNT, Figure 5

1. Mounting plate is shipped separately. Threaded hub is already secured to mounting plate. Thread conduit (not supplied) onto mounting plate's threaded hub, so mounting plate's tabs face downward.
2. Secure conduit to hub using supplied screw.
3. With ballast portion assembly of luminaire in hand, hang assembly from mounting plate's (2) tabs. Assembly will hang from mounting plate for wiring.
4. Wire per National Electrical Code and local code. All electrical connections can be placed inside luminaire.

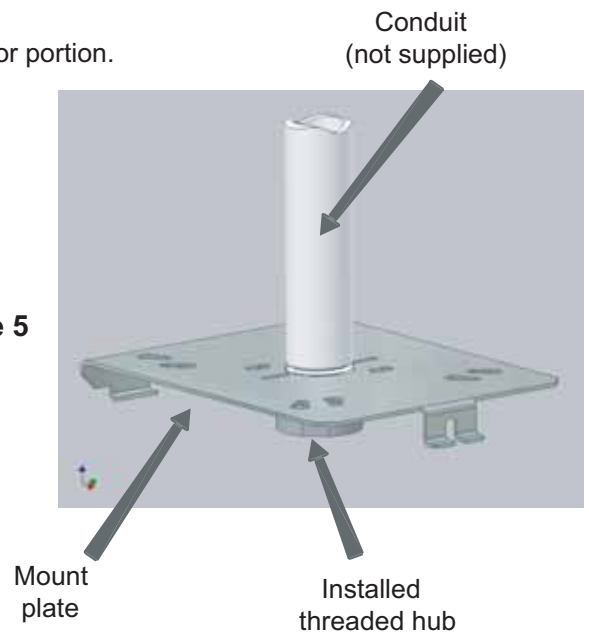
IMPORTANT: Ground luminaire using assembly's supplied ground wire!

WARNING: Make certain supply wiring is not "hot" before wiring. Make certain line

voltage corresponds with ballast's primary voltage. See ballast label. Cap off all unused leads individually!

5. Swing assembly upwards, so assembly is parallel with mounting plate. Secure assembly to mounting plate's remaining single tab, using supplied screw.
6. This completes the ballast portion installation. Proceed to reflector/refractor portion.

Figure 5



Installation Questions?

Call LSI Field Service Department at:
1-800-436-7800 Ext. 3300 Fax: (513)984-9723

