

INSTALLATION AND ASSEMBLY INSTRUCTIONS

HILTON HLN Series

SMARTVISION®

WARNING: Failure to follow instructions could result in damage to product and void warranties!

WARNING: Risk of fire or electrical shock. Disconnect power before installing or servicing.

WARNING: Verify the existing input voltage and ensure it matches input rating on luminaire's product label, located on inside of access door.

WARNING: Before proceeding, read all instructions carefully to ensure proper and safe installation.

WARNING: Warranty is void if luminaire is tilted up or down from horizontal!

IMPORTANT: This product must be installed in accordance with the applicable installation code by a person familiar with the construction and operation of the product and the hazards involved.

Tools required: T20 Torx screwdriver, 3/4" (19mm) socket with ratchet.

LUMINAIRE PREPARATION

1. Place luminaire - lens facing downward - onto work surface. Note: Protect lens.
2. Loosen (3) top cover screws by turning CCW (counter-clockwise). Screws are captive; do not remove from top cover. See Fig. 1.
3. Swing top cover over side of housing, allowing top cover to hang from lanyard.

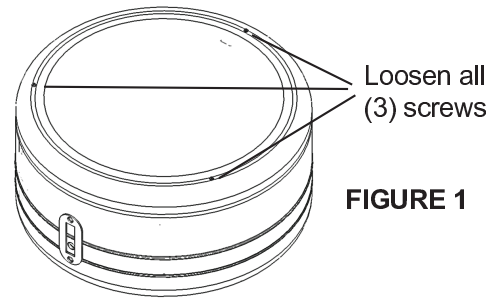


FIGURE 1

OPTIC IDENTIFICATION

1. Match the optic in the luminaire with the corresponding optic type. Model number nomenclature on product label (inside housing) identifies optic type as well. See Figure 2.

IMPORTANT: OPTICS ARE NOT ACCESSIBLE! OPTICS MAY BE ROTATED IN HOUSING IN 90 DEGREE INCREMENTS - SEE STEP 2 AND FIG. 3 BELOW.

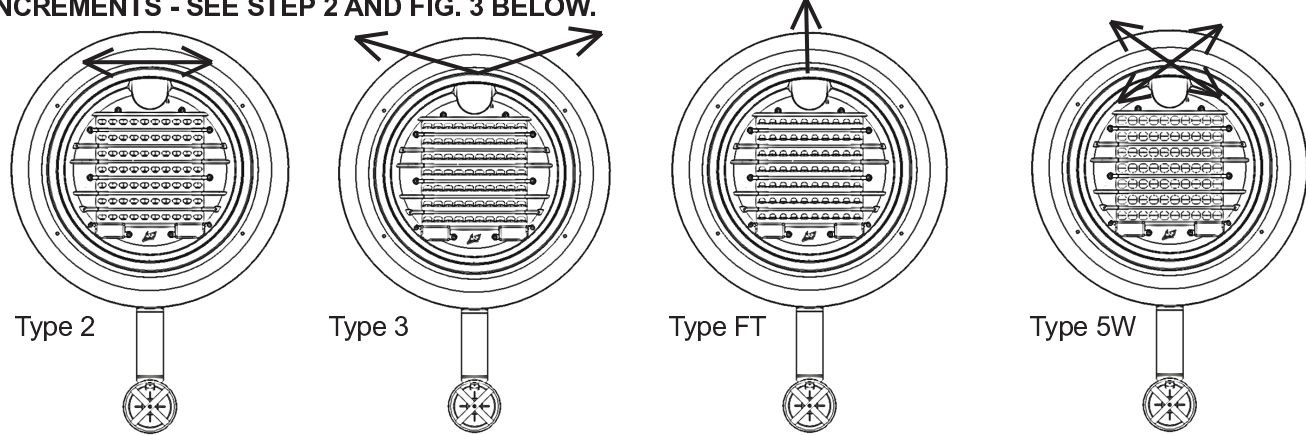


FIGURE 2
(Arrows indicate light output direction)

2. If optics must be rotated, Remove (4) hex nuts and clamping brackets inside housing. See Fig. 3. Lift entire optic assembly slightly and rotate in desired direction. NOTE: Optics can only be rotated in 90 degree increments. Reposition clamping brackets into alternate casting recesses and secure into position with hex nuts. Tighten to 20 IN-LBS max.

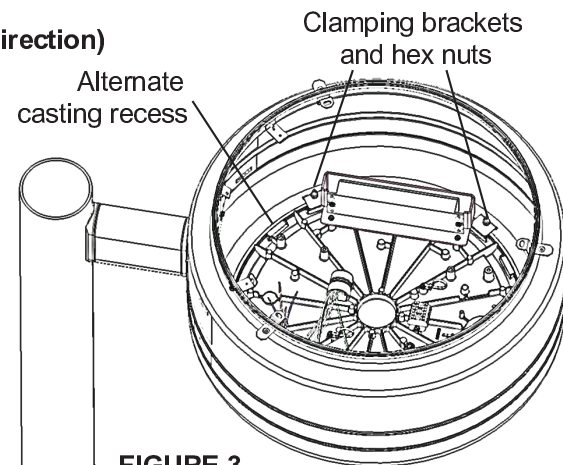


FIGURE 3



LSI Industries Inc. 10000 Alliance Road Cincinnati, Ohio 45242 (513) 793-3200

647167 Rev. 11/16

1 / 2

Fax (513) 793-0147 www.lsi-industries.com

© LSI Industries Inc.

HLN Series, cont'd.

POLE PREPARATION

1. Lay pole on raised surface, protecting finish with soft cloth.
2. Locate hardware kit shipped with luminaire.
3. With nut plate inside pole, thread luminaire mounting studs thru top and bottom pole holes, then into nut plate.
4. Slide arm assembly and any adaptor plates over studs.
5. Mounting studs should extend out of arm 1-1/4". See Fig. 4.

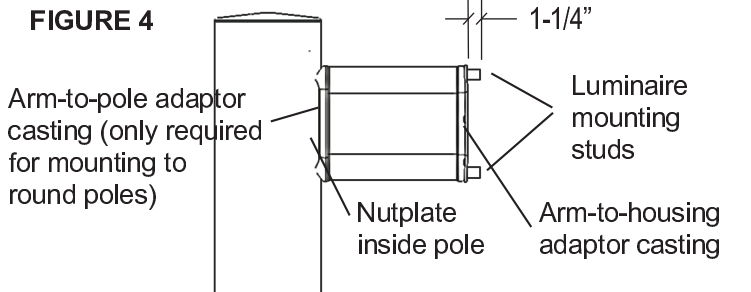


FIGURE 4

NOTE: When mounting arm and luminaire to round pole, use pole side adaptor castings between arm and pole. IMPORTANT: Arm adaptor casting must be installed between bracket arm and housing!

ASSEMBLY OF LUMINAIRE TO POLE - Figure 5

1. Feed supply wiring through center 7/8" (22mm) hole in nutplate, pole, and arm.
2. Position luminaire near arm mounting studs. Feed supply wiring thru center hole in back of luminaire.
3. Position luminaire over studs. Secure luminaire to studs with supplied flat washers, lock washers, and hex nuts, FINGER-TIGHT ONLY FOR NOW!
NOTE: Take care not to pinch supply wiring.
4. To ensure level luminaire, tighten upper nut first, then lower nut, (tighten each to 25 ft-lbs.), making sure luminaire is "square" to pole.
5. Proceed to WIRING CONNECTIONS below.

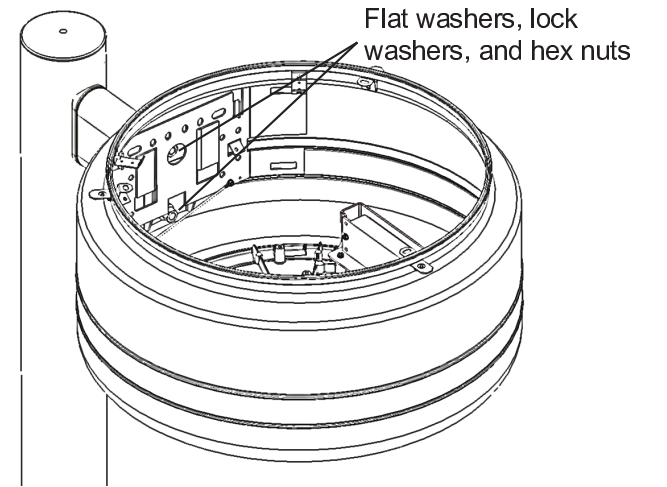


FIGURE 5

WIRING CONNECTIONS

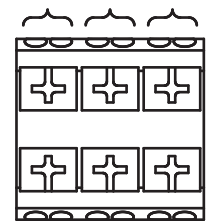
WARNING: Wiring to be performed by qualified electrician! Wire per National Electrical Code and local code, as shown in Figure 6. Use supplied, installed terminal block in luminaire. See Figure 6.

IMPORTANT WIRING INFORMATION - Risk of electrical shock!

- * Make certain supply wiring is not energized before wiring luminaire.
- * Make certain supply voltage corresponds to luminaire voltage, as marked on luminaire label, located on inside of housing.
- * Use 12-18 AWG Copper (Solid or Stranded) wire

LUMINAIRE WIRING

BLK WHT GRN



Terminal Block

FIGURE 6

LINE NEU GND

SUPPLY WIRING

COMPLETING LUMINAIRE ASSEMBLY

1. Reinstall top cover and secure by turning (3) screws CW (clockwise) until snug.
2. Install pole cap.

NOTE: Pole must be pointed in right direction. Reference Figure 2 to ensure light beam direction and pole direction are correct when compared to site layout drawing.

3. The luminaire and pole assembly is now ready for installation to anchor bolts. When erecting pole, use belts, slings or ropes - do NOT use chain or cable. Do not attach to luminaire or arm!
4. Set and level anchor bolts using nuts and washers provided.



LSI Industries Inc. 10000 Alliance Road Cincinnati, Ohio 45242 (513) 793-3200 Fax (513) 793-0147 www.lsi-industries.com

647167 Rev. 11/16

1 / 2

Installation Questions?

Call LSI Field Service Department at:
1-800-436-7800 Ext. 3300
Fax: 1-877-861-1368

p/n 647167 Rev. 11/16